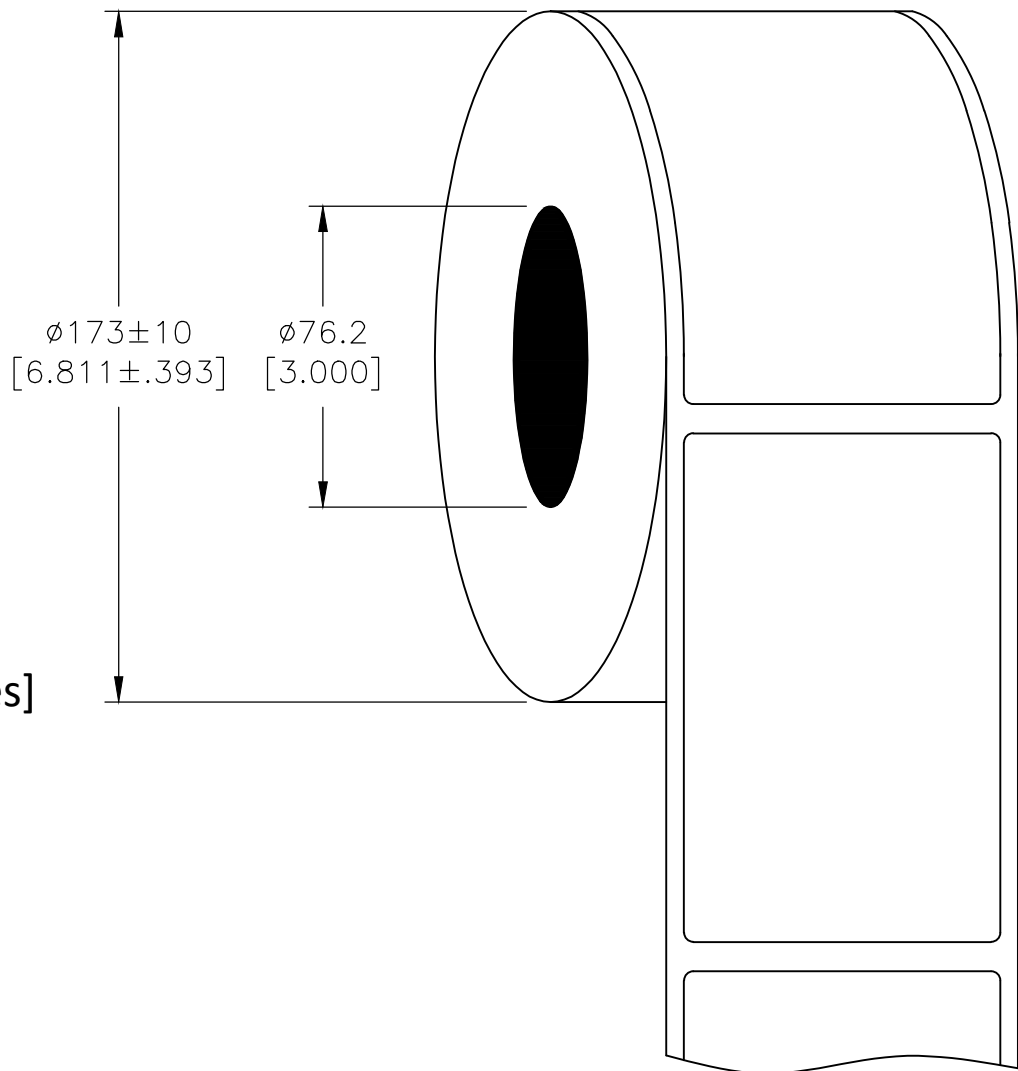
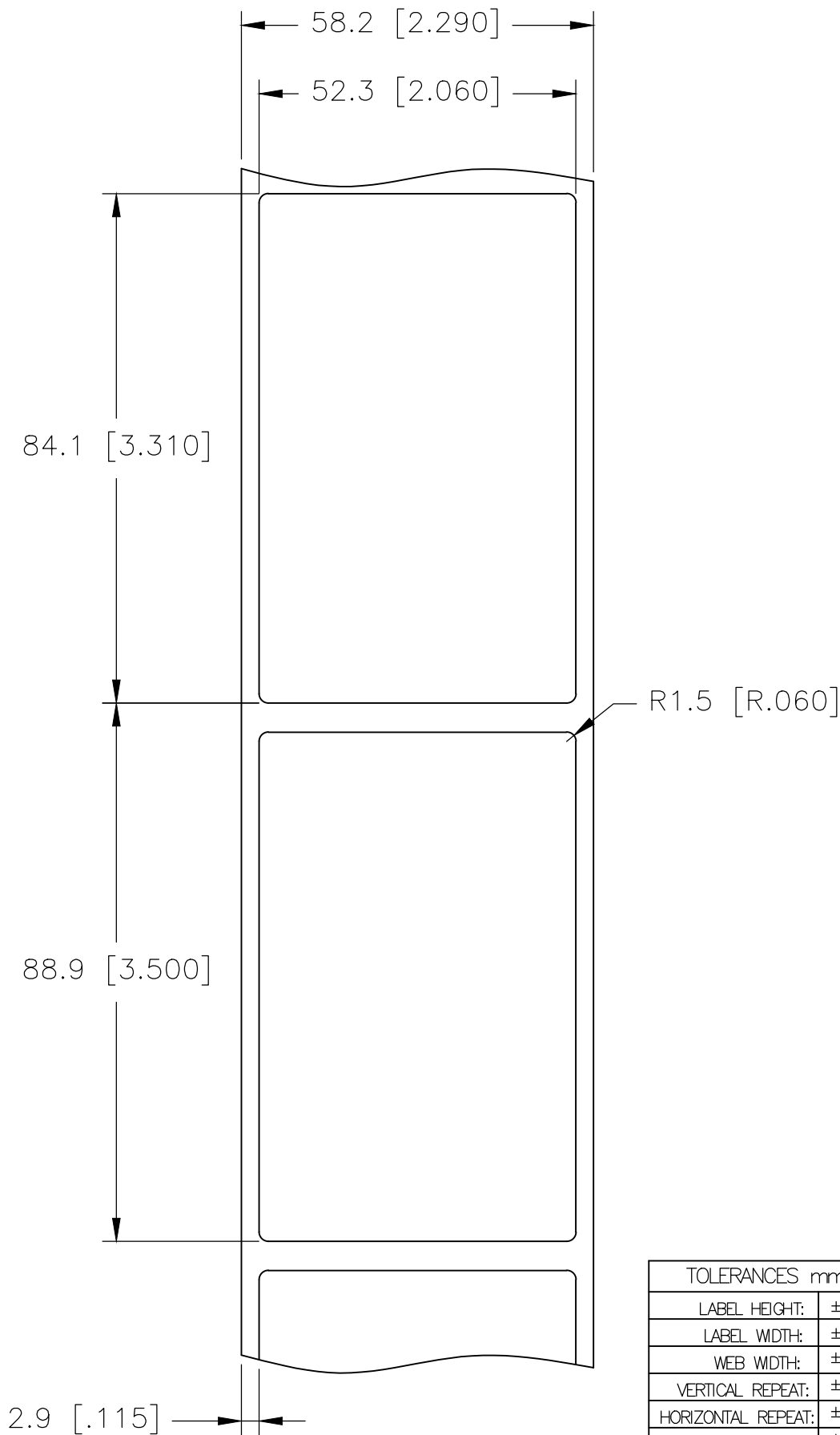


P	LTR	DESCRIPTION	DATE	DWN	APVD
	A	INITIAL RELEASE	21SEP2020	GK	MN

LABEL AND LINER DESIGN

PRESENTATION



All dimensions in mm [Inches]

TE PN: F28451-000

**OUTSIDE WOUND
LABEL ACROSS: 1
PER ROLL QTY: 1500**

MATERIAL	HIGH TACK METALIZED POLYESTER
ADHESIVE TYPE	PERMANENT ACRYLIC
LINER	GLASSINE PAPER

TOLERANCES mm [INCH]	
LABEL HEIGHT:	±0.3 [.012]
LABEL WIDTH:	±0.3 [.012]
WEB WIDTH:	±0.8 [.031]
VERTICAL REPEAT:	±0.8 [.031]*
HORIZONTAL REPEAT:	±0.8 [.031]*
PRINT POSITIONING:	±0.8 [.031]*
LEFT MARGIN:	±0.4 [.016]
QUANTITY:	-0 % +2 %
*NON ACCUMULATING	

THIS DRAWING IS A CONTROLLED DOCUMENT.	
DIMENSIONS: mm [INCHES]	TOLERANCES UNLESS OTHERWISE SPECIFIED:
	0 PLC ± -
	1 PLC ± -
	2 PLC ± -
	3 PLC ± -
	4 PLC ± -
ANGLES ± -	FINISH -
MATERIAL SEE TABLE	

DWN	21SEP2020	TE Connectivity	
CHK	GOPALAKRISHNA HV		
APVD	MIKE NUTTALL		
APVD	MIKE NUTTALL		
PRODUCT SPEC	TTDS-075	NAME	HM - HIGH TACK METALIZED POLYESTER LABELS
APPLICATION SPEC	-	SIZE	A3
WEIGHT	0.503g	CAGE CODE	C2290
CUSTOMER DRAWING		DRAWING NO	G-HM-523841-1.5-8A
		RESTRICTED TO	-
		SCALE	NTS
		SHEET	1 OF 1
		REV	A