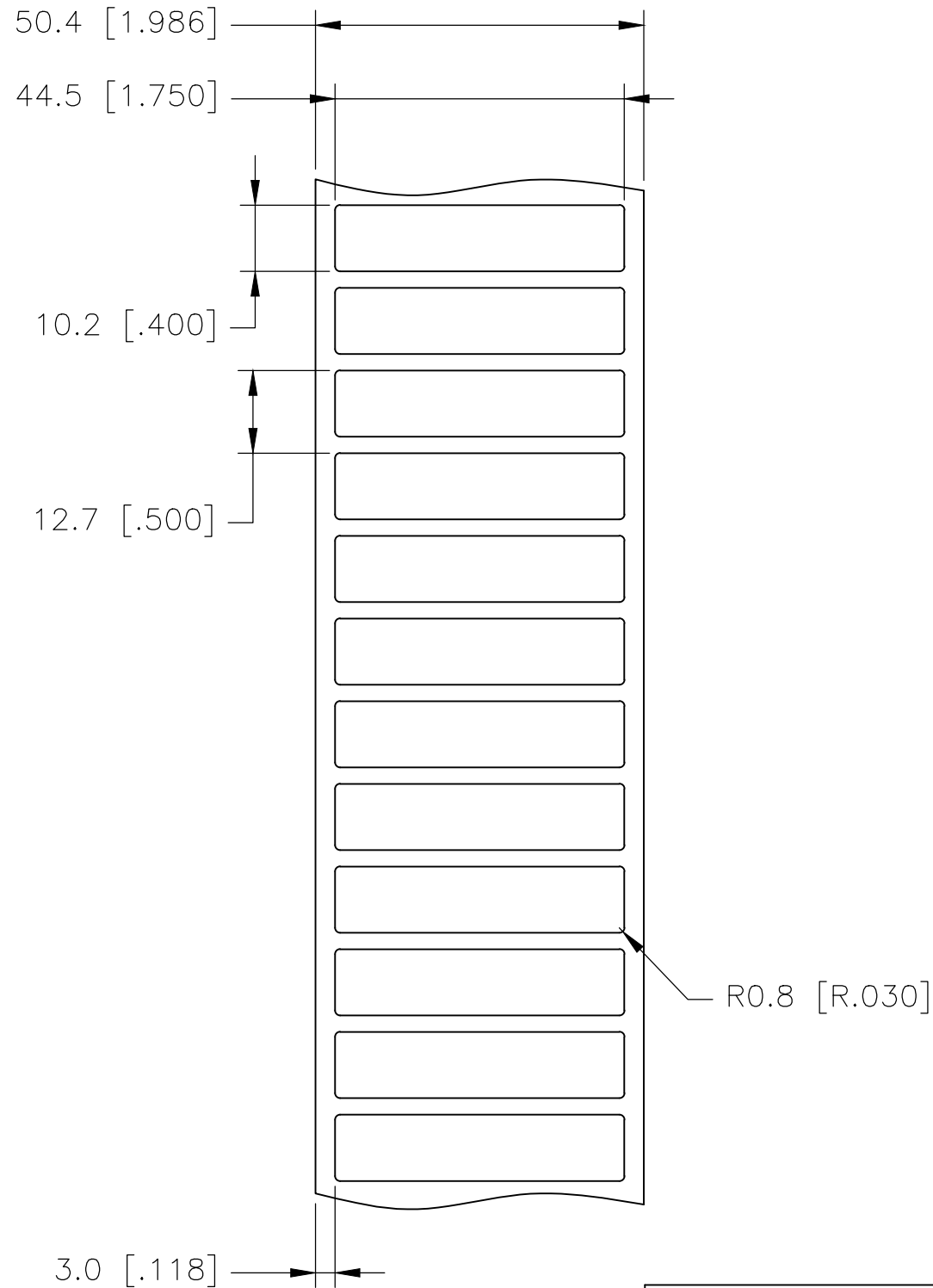
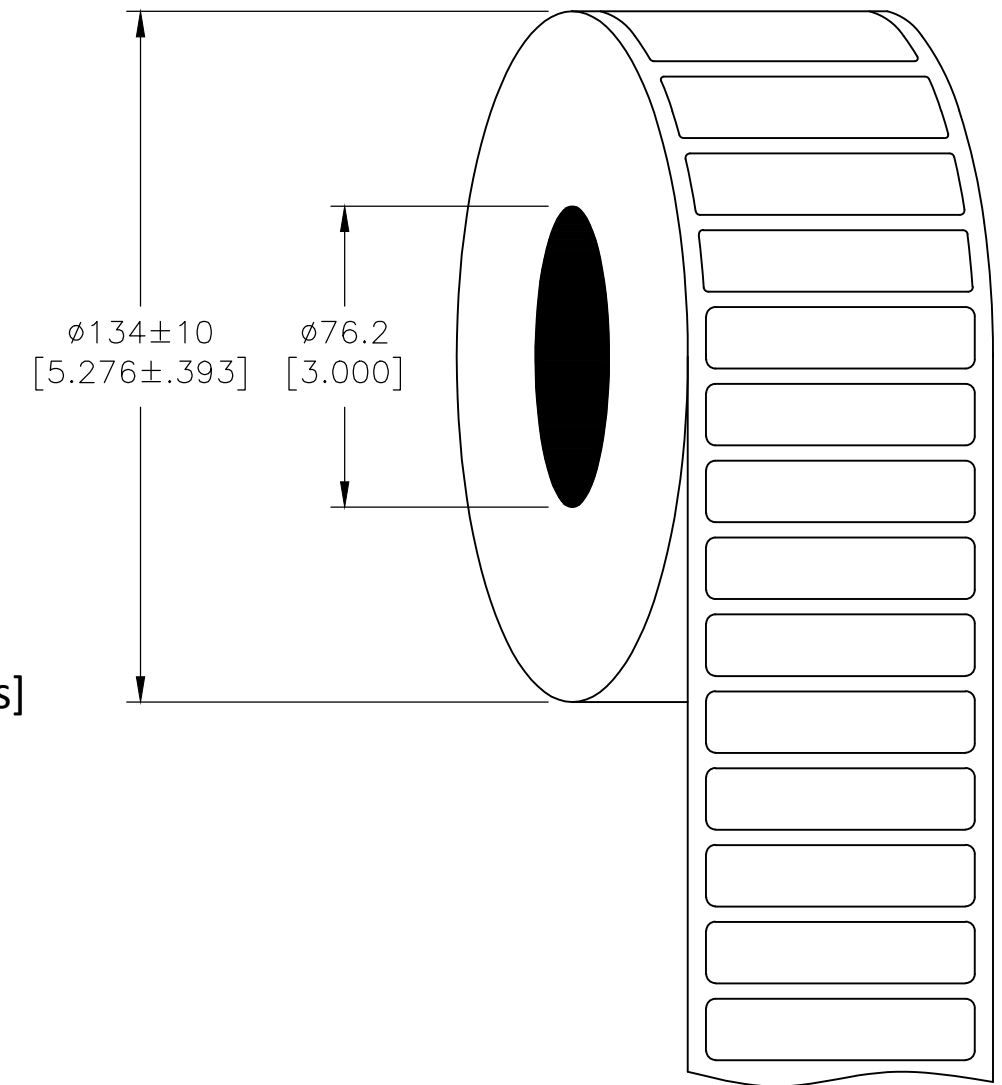


P	LTR	DESCRIPTION	DATE	DWN	APVD
	B	INITIAL RELEASE	21SEP2020	GK	MN

LABEL AND LINER DESIGN



PRESENTATION



All dimensions in mm [Inches]
TE PN: C78143-000

**OUTSIDE WOUND
 LABEL ACROSS: 1
 PER ROLL QTY: 5000**

MATERIAL	HIGH TACK METALIZED POLYESTER
ADHESIVE TYPE	PERMANENT ACRYLIC
LINER	GLASSINE PAPER

TOLERANCES mm [INCH]	
LABEL HEIGHT:	± 0.3 [.012]
LABEL WIDTH:	± 0.3 [.012]
WEB WIDTH:	± 0.8 [.031]
VERTICAL REPEAT:	± 0.8 [.031]*
HORIZONTAL REPEAT:	± 0.8 [.031]*
PRINT POSITIONING:	± 0.8 [.031]*
LEFT MARGIN:	± 0.4 [.016]
QUANTITY:	-0 % +2 %
*NON ACCUMULATING	

THIS DRAWING IS A CONTROLLED DOCUMENT.	
DIMENSIONS: mm [INCHES]	TOLERANCES UNLESS OTHERWISE SPECIFIED:
	0 PLC $\pm -$
	1 PLC $\pm -$
	2 PLC $\pm -$
	3 PLC $\pm -$
	4 PLC $\pm -$
MATERIAL SEE TABLE	FINISH -

DWN GOPALAKRISHNA HV 21SEP2020	TE Connectivity			
CHK MIKE NUTTALL 21SEP2020				
APVD MIKE NUTTALL 21SEP2020	NAME HM - HIGH TACK METALIZED POLYESTER LABELS			
PRODUCT SPEC TTDS-075	-			
APPLICATION SPEC -	SIZE A3	CAGE CODE C2290	DRAWING NO G-HM-445102-5-8A	RESTRICTED TO -
WEIGHT 0.052g	CUSTOMER DRAWING			SCALE NTS
			SHEET 1 OF 1	REV B