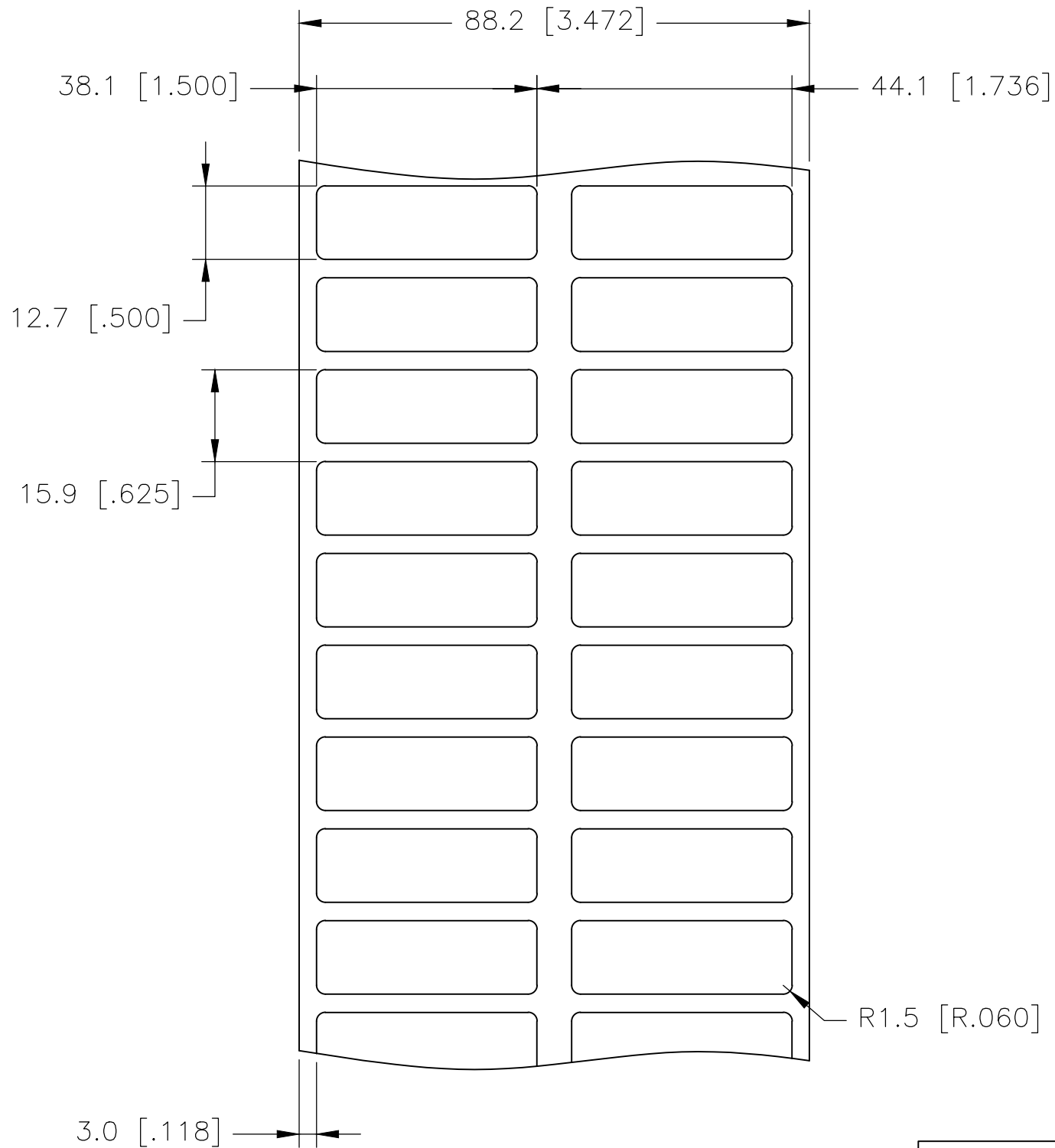
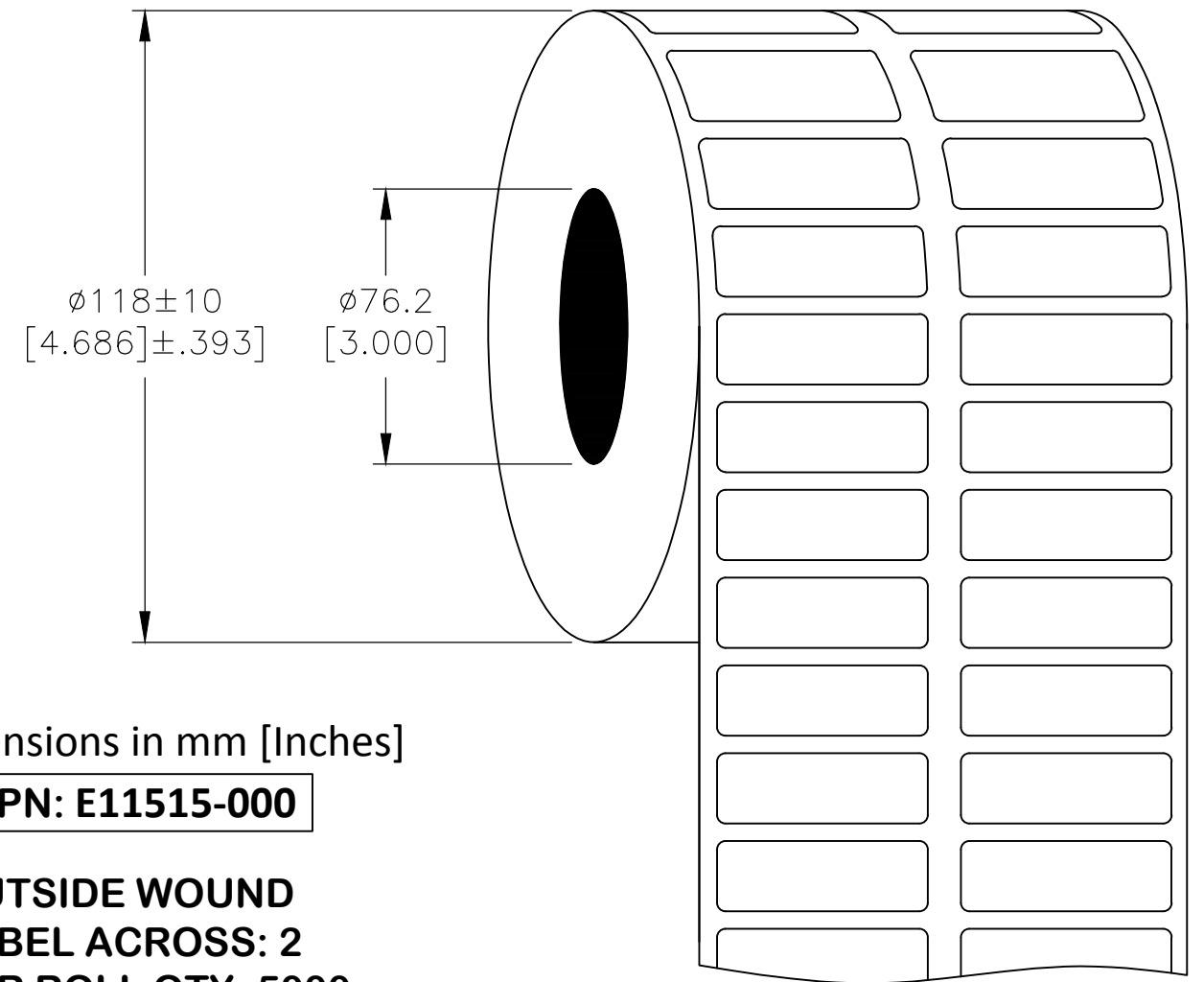


P	LTR	DESCRIPTION	DATE	DWN	APVD
	B	INITIAL RELEASE	22SEP2020	GK	MN

LABEL AND LINER DESIGN



PRESENTATION



All dimensions in mm [Inches]

TE PN: E11515-000

**OUTSIDE WOUND
LABEL ACROSS: 2
PER ROLL QTY: 5000**

MATERIAL	HIGH TACK METALIZED POLYESTER
ADHESIVE TYPE	PERMANENT ACRYLIC
LINER	GLASSINE PAPER

TOLERANCES mm [INCH]	
LABEL HEIGHT:	± 0.3 [.012]
LABEL WIDTH:	± 0.3 [.012]
WEB WIDTH:	± 0.8 [.031]
VERTICAL REPEAT:	± 0.8 [.031]*
HORIZONTAL REPEAT:	± 0.8 [.031]*
PRINT POSITIONING:	± 0.8 [.031]*
LEFT MARGIN:	± 0.4 [.016]
QUANTITY:	-0 % +2 %
*NON ACCUMULATING	

THIS DRAWING IS A CONTROLLED DOCUMENT.	
DIMENSIONS: mm [INCHES]	TOLERANCES UNLESS OTHERWISE SPECIFIED:
	0 PLC $\pm -$
	1 PLC $\pm -$
	2 PLC $\pm -$
	3 PLC $\pm -$
	4 PLC $\pm -$
ANGLES	$\pm -$
MATERIAL SEE TABLE	FINISH -

DWN	22SEP2020
CHK	22SEP2020
APVD	22SEP2020
NAME	MIKE NUTTALL
PRODUCT SPEC	MIKE NUTTALL
APPLICATION SPEC	TTDS-075
WEIGHT	0.055g

TE Connectivity		NAME		RESTRICTED TO
		HM - HIGH TACK METALIZED POLYESTER LABELS		
SIZE	CAGE CODE	DRAWING NO	-	
A3	C2290	G-HM-381127-5-8A	-	
CUSTOMER DRAWING		SCALE	SHEET	REV
		NTS	1 OF 1	B