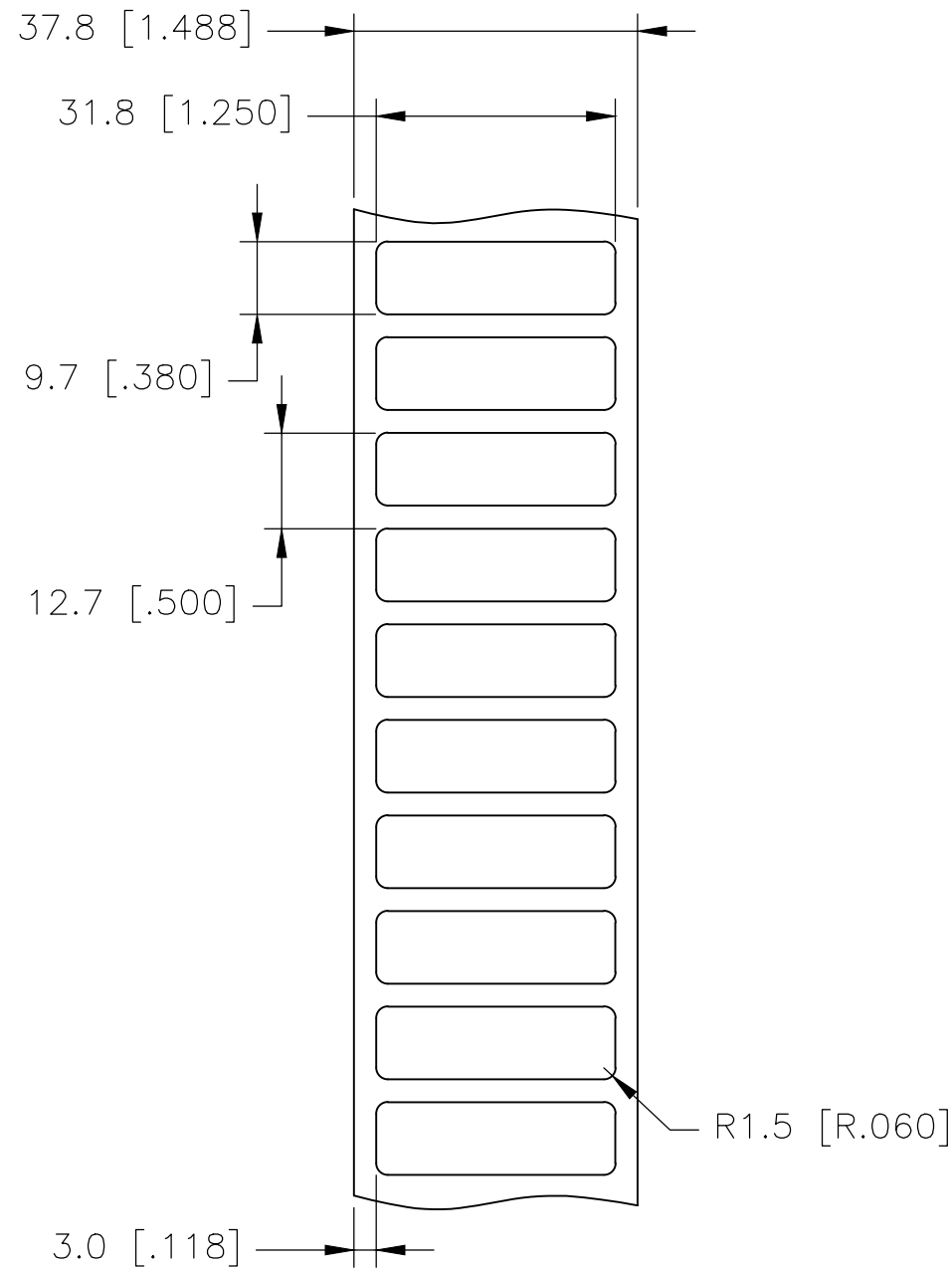
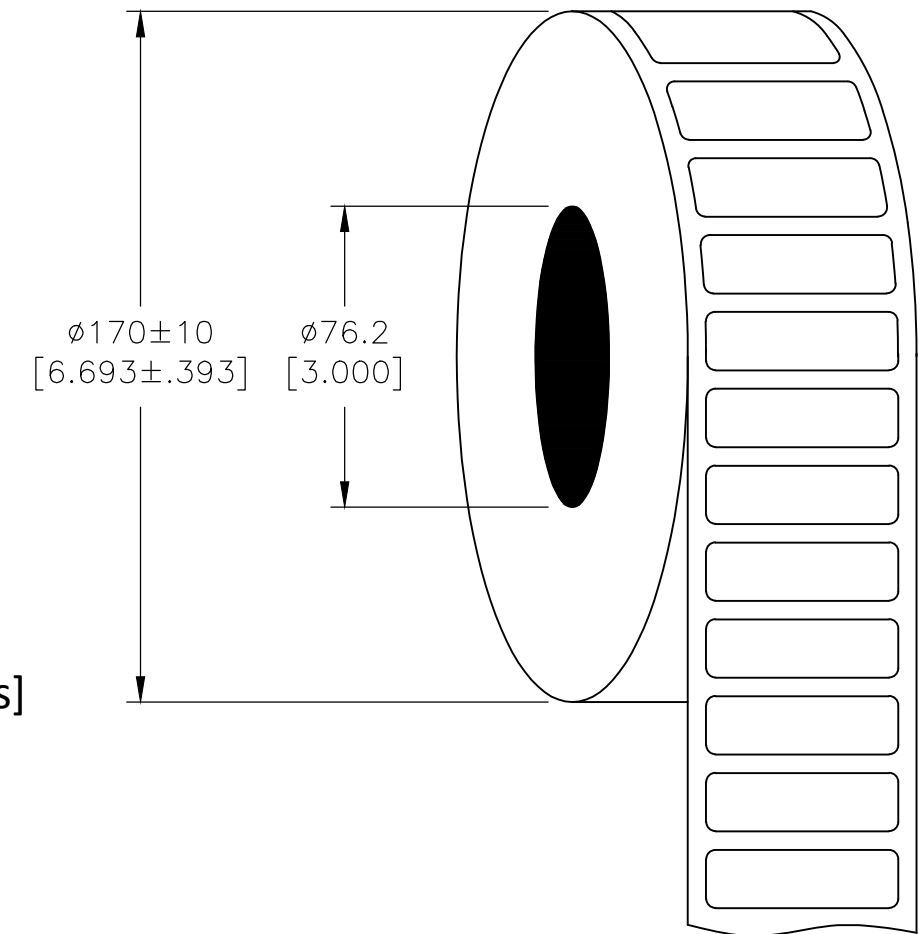


P	LTR	DESCRIPTION	DATE	DWN	APVD
	A	INITIAL RELEASE	21SEP2020	GK	MN

LABEL AND LINER DESIGN



PRESENTATION



All dimensions in mm [Inches]

TE PN: C03741-000

**OUTSIDE WOUND
LABEL ACROSS: 1
PER ROLL QTY: 10000**

MATERIAL	HIGH TACK METALIZED POLYESTER
ADHESIVE TYPE	PERMANENT ACRYLIC
LINER	GLASSINE PAPER

TOLERANCES mm [INCH]	
LABEL HEIGHT:	± 0.3 [.012]
LABEL WIDTH:	± 0.3 [.012]
WEB WIDTH:	± 0.8 [.031]
VERTICAL REPEAT:	± 0.8 [.031]*
HORIZONTAL REPEAT:	± 0.8 [.031]*
PRINT POSITIONING:	± 0.8 [.031]*
LEFT MARGIN:	± 0.4 [.016]
QUANTITY:	-0 % +2 %
*NON ACCUMULATING	

THIS DRAWING IS A CONTROLLED DOCUMENT.	
DIMENSIONS: mm [INCHES]	TOLERANCES UNLESS OTHERWISE SPECIFIED:
	0 PLC \pm -
	1 PLC \pm -
	2 PLC \pm -
	3 PLC \pm -
	4 PLC \pm -
ANGLES	\pm -
MATERIAL SEE TABLE	FINISH -

DWN GOPALAKRISHNA HV 21SEP2020	TE Connectivity			
CHK MIKE NUTTALL 21SEP2020				
APVD MIKE NUTTALL 21SEP2020	NAME HM - HIGH TACK METALIZED POLYESTER LABELS			
PRODUCT SPEC TTDS-075	-			
APPLICATION SPEC -	-			
WEIGHT 0.035g	SIZE A3	CAGE CODE C2290	DRAWING NO G-HM-318097-10-8A	RESTRICTED TO -
CUSTOMER DRAWING		SCALE NTS	SHEET 1 OF 1	REV A