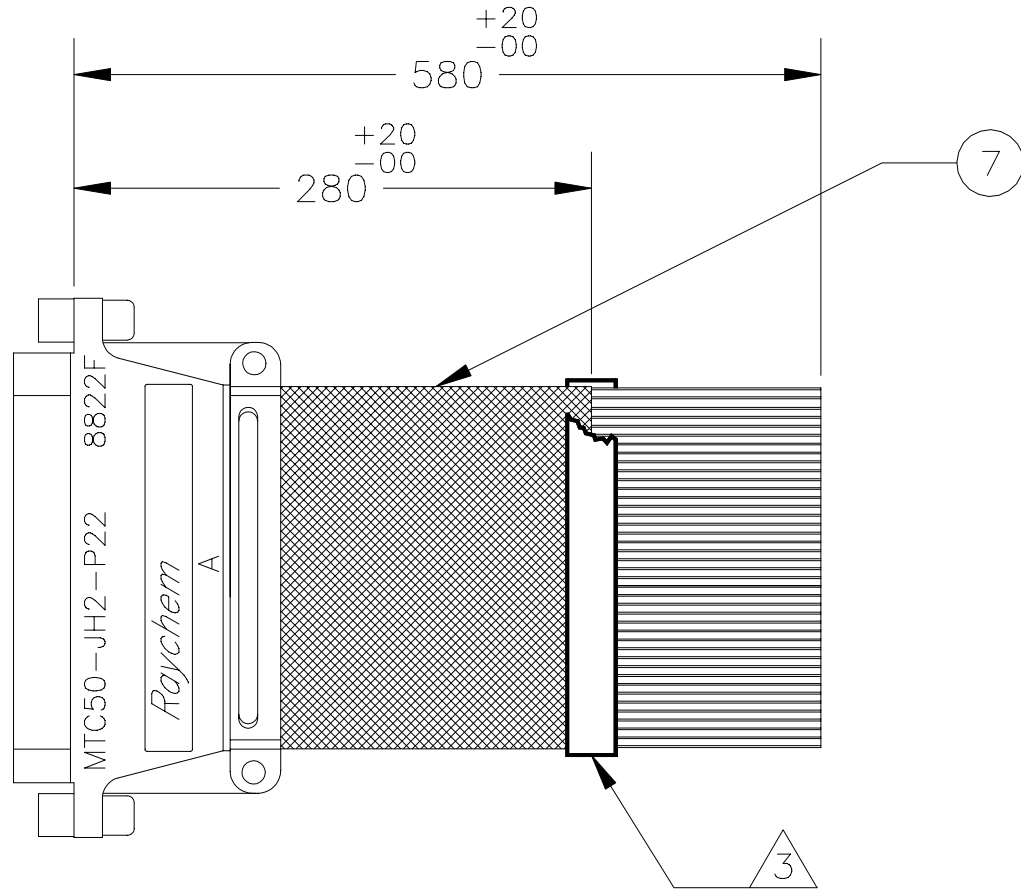


REVISIONS			
LTR	DESCRIPTION	DATE	APPROVED
NC	INITIAL RELEASE PER DCR NO. T-26860	12/8/00	GMR

If this document is printed it becomes uncontrolled.  
Check with document control for latest revision.



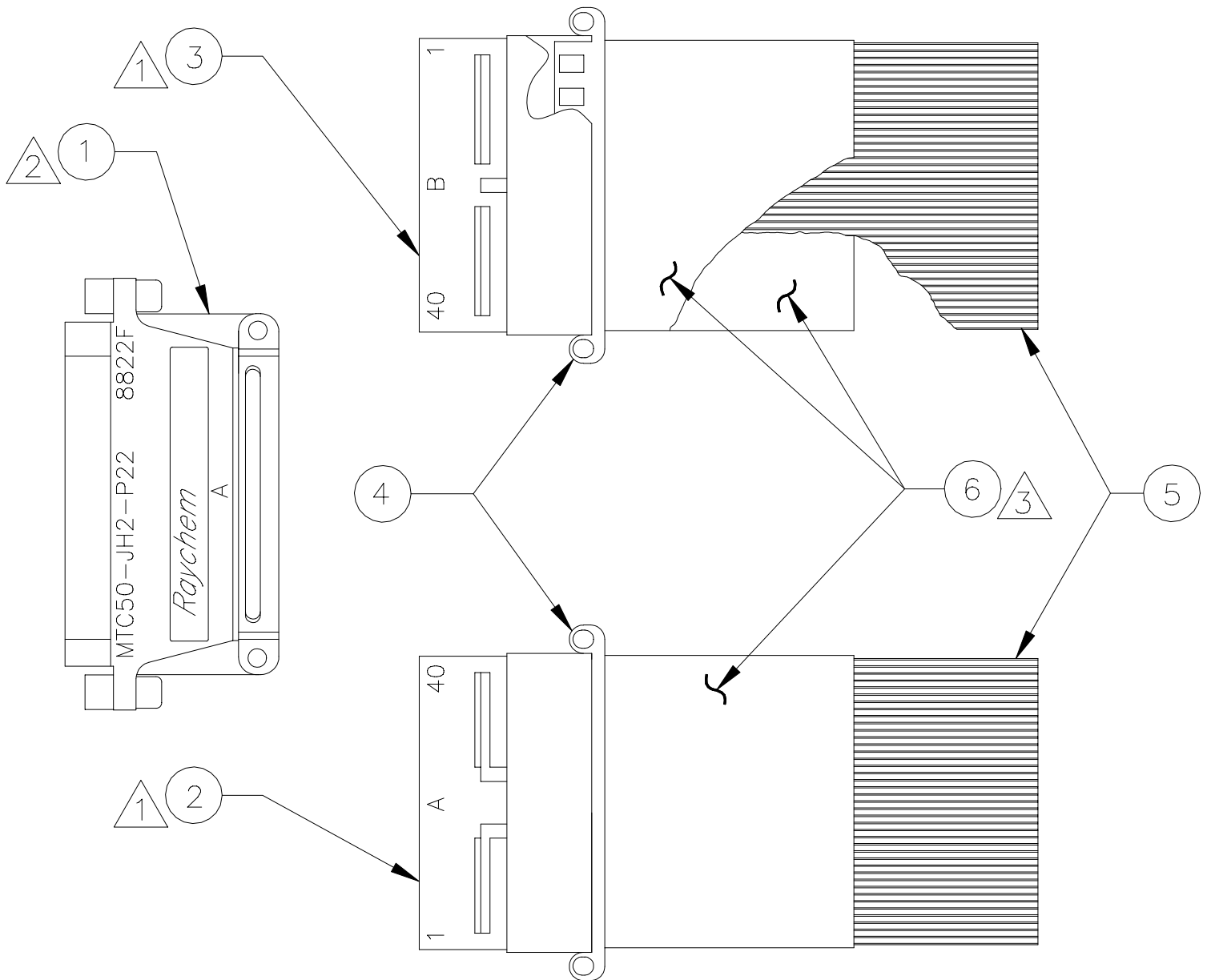
### SPECIFICATION CONTROL DRAWING

7	1	EXNL-30	NOMEX SLEEVE, ARMY GREEN, .30m LONG-DUPONT
6	3	CHA-0045	SHIELDING, COPPER FOIL, .30m LONG
5	2	FB-RWC-13004	FILM BONDED, 40 CONDUCTOR CABLE, .60m LONG
4	3	CTA-0103	BUS BAR
3	1	MTC50-YB2-016	MTC "B" WAFER, SOCKET
2	1	MTC50-YA2-016	MTC "A" WAFER, SOCKET
1	1	MTC50-JH2-P22	MTC SHELL

ITEM	QTY	DWG/SPEC No.	DESCRIPTION
------	-----	--------------	-------------

### PARTS LIST

UNLESS OTHERWISE SPECIFIED DIMENSIONS ARE IN MILLIMETERS TOLERANCES ARE AS FOLLOWS  DIMENSIONS: X,XX ± — X,X ± — X ± —  ANGLES: X ± —	DRAWN G.ROSITANO CHECKED APPROVED P.DUTTON APPROVED CAD NAME T26860A	DATE 6/8/00 DATE DATE 6/20/00 DATE DATE		A DIVISION OF TYCO ELECTRONICS 300 CONSTITUTION DRIVE MENLO PARK, CALIFORNIA 94025
			TITLE	
			HARNESS	
	THIRD ANGLE PROJECTION 	SIZE A	CODE IDENT. NO. 06090	DWG. NO. HF-50-200



## NOTES:

1. FOR TERMINATION: FOLLOW INSTALLATION PROCEDURE ES-61408.
2. ASSEMBLE MTC WAFER SHELL PER ES-61257.
3. EDGE OF SHIELDING (ITEM 6) AND NOMEX SLEEVE (ITEM 7) ARE TO BE HELD TOGETHER WITH A BAND OF ADHESIVE TAPE.

**If this document is printed it becomes uncontrolled.  
Check with the web for latest revision.**

SIZE	CODE IDENT. NO.	DWG. NO.	REV
A	06090	HF-50-200	NC
DO NOT SCALE THIS DWG		CAD NAME T26860B	SHEET 2 OF 2