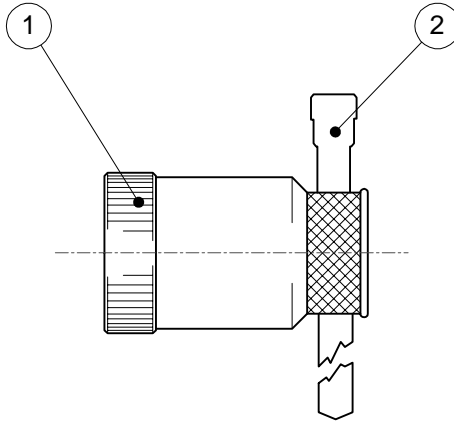


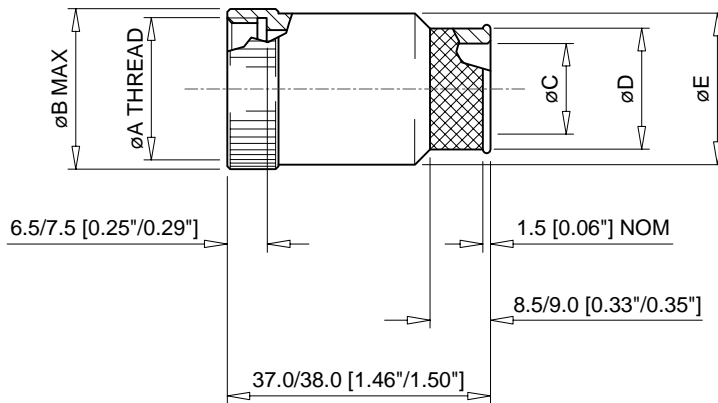
SPECIFICATION CONTROL DRAWING

REV:
1

DATE:
APRIL 25, 2005



BANDSTRAP CLAMPING NUT



DESCRIPTION

ITEM	DESCRIPTION	MATERIAL
1	BANDSTRAP CLAMPING NUT	ALUMINIUM ALLOY
2	CLAMPING BAND *	STAINLESS STEEL

© 2005 Tyco Electronics Corporation. All rights reserved

		Raychem Tyco Electronics Corporation 300 Constitution Drive Menlo Park, CA 94025, USA		TITLE: HEXASHIELD BANDSTRAP CLAMPING NUT	
UNLESS OTHERWISE SPECIFIED DIMENSIONS ARE IN MILLIMETERS. INCH DIMENSIONS ARE SHOWN IN BRACKETS		Tyco Electronics reserves the right to amend this drawing at any time. Users should evaluate the suitability of the product for their application.		DOCUMENT NO. HEX05-AY-AYY	
DRAWN: IRT	DATE: MAR 2004	CAGE CODE: 06090	DCR # D050119	FILE: 87005/05	SCALE: NONE
				SHEET: 1 OF 2	

If this document is printed it becomes uncontrolled. Check for the latest revision.

SPECIFICATION CONTROL DRAWING

 REV:
1

 DATE:
APRIL 25, 2005

TABLE OF DIMENSIONS

Order Number	ØA Thread Class 6H	ØB Max	ØC ±0.25 [±0.01"]	ØD ±0.25 [±0.01"]	ØE ±0.25 [±0.01"]
A1	M14 x 1	17.5 [0.69"]	8.00 [0.31"]	11.00 [0.43"]	16.50 [0.65"]
A2	M18 x 1	21.5 [0.85"]	13.50 [0.53"]	16.00 [0.63"]	20.50 [0.81"]
A3	M19 x 1	22.5 [0.89"]	15.00 [0.59"]	18.00 [0.71"]	21.50 [0.85"]
A5	M22 x 1	25.5 [1.00"]	18.00 [0.71"]	21.00 [0.83"]	24.50 [0.96"]
A6	M25 x 1	28.5 [1.12"]	21.00 [0.83"]	24.00 [0.94"]	27.50 [1.08"]
A7	M28 x 1	31.5 [1.24"]	24.00 [0.94"]	27.00 [1.06"]	30.50 [1.20"]
A9	M31 x 1	35.0 [1.38"]	27.00 [1.06"]	30.00 [1.18"]	34.00 [1.34"]
A10	M34 x 1	38.0 [1.50"]	30.00 [1.18"]	33.00 [1.30"]	37.00 [1.46"]
A12	M37 x 1	41.0 [1.61"]	33.00 [1.30"]	36.00 [1.42"]	40.00 [1.57"]

PART NUMBERING

HEX05 - A B - A10

- HEX SEQUENTIAL NUMBER _____
- 05 = BANDSTRAP CLAMPING NUT DESIGNATOR
- MATERIAL CODE: _____
- A = ALUMINIUM ALLOY
- PLATING CODE: _____
- B = CADMIUM OLIVE DRAB TO SAE-AMS-QQ-P-416
- C = ELECTROLESS NICKEL TO SAE-AMS-MIL-C-26074
- BASIC ORDER NUMBER _____

APPLICATION

- This Drawing covers Standard Bandstrap Clamping Nuts supplied with the HEX -3 ranges of adaptors and can be ordered separately. The basic Order Number relates directly to the original HEX adaptor Ferrule Quantity Code Number, and MUST be adhered to at all times for compatibility.

* For information on the Clamping Band refer to S.C.D. BND-XX25S



INSTALLATION

- See Installation Procedure RPIP-696-04.

PACKAGING

- All components are supplied bagged and labeled with relative Part and Batch Numbers.

© 2005 Tyco Electronics Corporation. All rights reserved

				TITLE: <h3 style="text-align: center;">HEXASHIELD BANDSTRAP CLAMPING NUT</h3>	
UNLESS OTHERWISE SPECIFIED DIMENSIONS ARE IN MILLIMETERS. INCH DIMENSIONS ARE SHOWN IN BRACKETS		Tyco Electronics reserves the right to amend this drawing at any time. Users should evaluate the suitability of the product for their application.		DOCUMENT NO. <h3 style="text-align: center;">HEX05-AY-AYY</h3>	
DRAWN: IRT	DATE: MAR 2004	CAGE CODE: 06090	DCR # D050119	FILE: 87005/05	SCALE: NONE
				SHEET: 2 OF 2	

If this document is printed it becomes uncontrolled. Check for the latest revision.