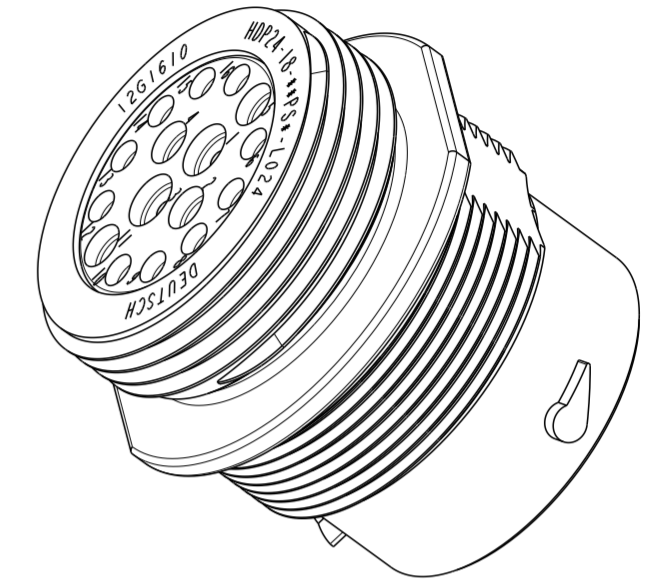
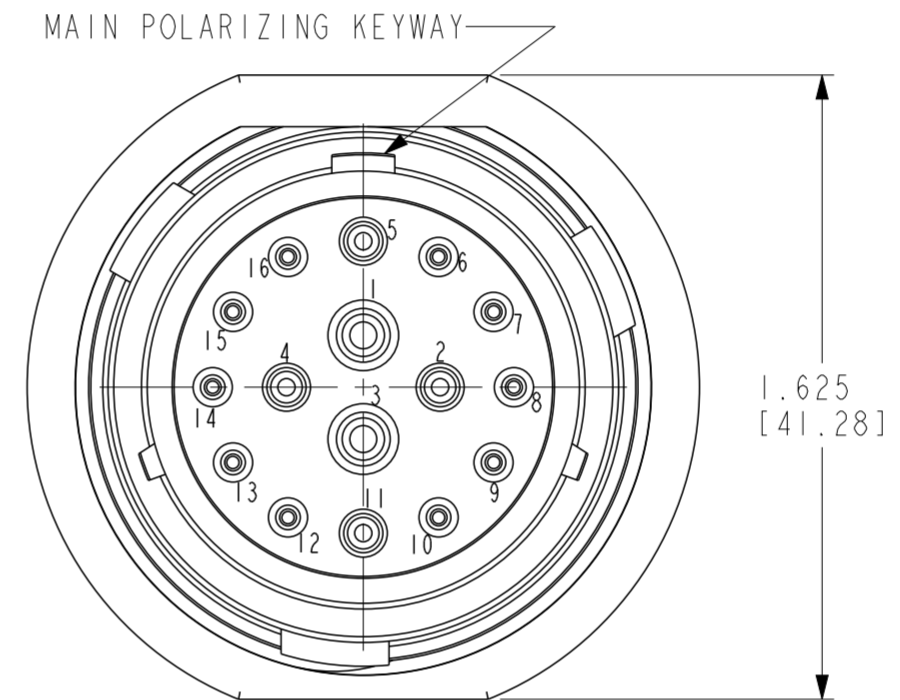
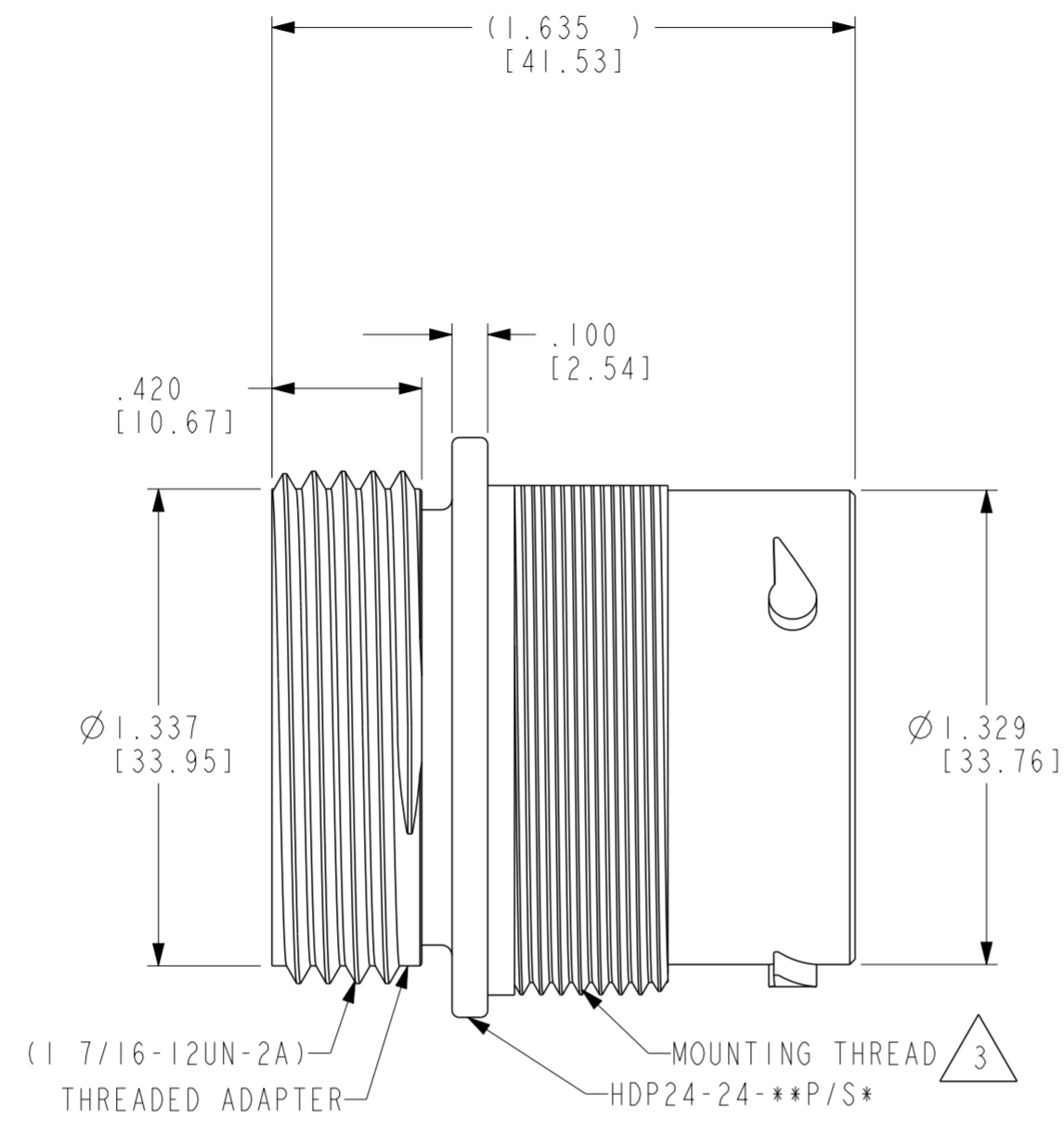
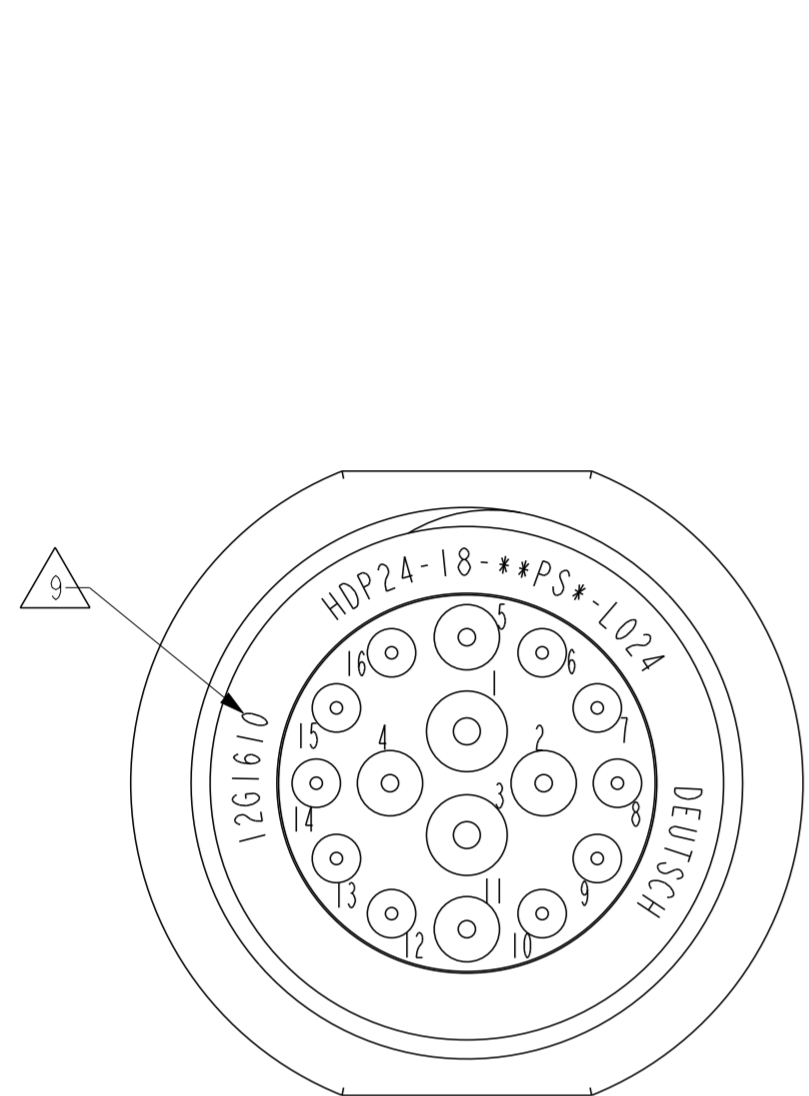
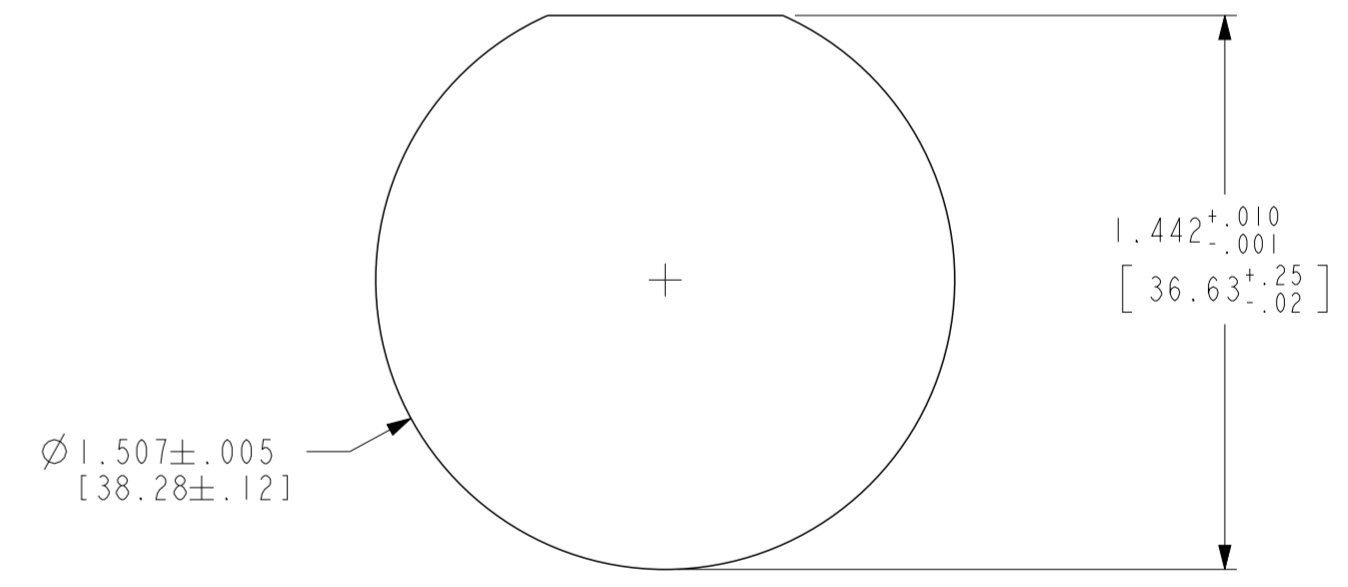


| P | LTR | DESCRIPTION | DATE | DWN | APVD |
|---|-----|-----------------------------|-----------|-----|------|
| | NC | NEW RELEASE PER E.O. P21416 | 24AUG2012 | IG | DM |
| | A | REVISED PER PCN E-19-015142 | 10OCT2019 | EC | RM |



SCALE 1.500

3D VIEW



RECOMMENDED PANEL MOUNTING HOLE

7. THIS RECEPTACLE TO BE USED WITH 2414-002-1886 LOCK WASHER AND 2411-002-1805 PANEL NUT.

6. THIS RECEPTACLE MATES WITH HDP26-18-***P/S*-**** (****=ALL MODIFICATIONS)

5. RECOMMENDED PANEL THICKNESS: .062(1.57) TO .1875(4.76) MAX.

4. THREADED ADAPTER COLOR REFLECTS WIRE SEAL DIAMETER. (GREEN='N' SEAL; GREY='T' SEAL; BLUE='E' SEAL)

3. FOR PERFORMANCE, MOUNTING AND APPLICATION CHARACTERISTICS SEE ENVELOPE DRAWING 0425-021-0000.

2. FOR CONTACTS AND WIRE PERFORMANCE AND APPLICATION CHARACTERISTICS SEE ENVELOPE DWG. 0425-015-0000.

1. FOR CONTACT ARRANGEMENTS, SEE ENVELOPE DRAWING 0425-013-1800.

9. DATE CODE: IDENTIFIES THE YEAR, MONTH, DAY AND HOUR OF ASSEMBLY.
 YEAR: FIRST AND SECOND DIGITS. (14 = 2014)
 MONTH: THIRD DIGIT, EXCLUDING 1. A = JAN., B = FEB., C = MARCH... (K = OCT.)
 DAY: FOURTH AND FIFTH DIGITS (14 = 14th DAY)
 HOUR: SIXTH AND SEVENTH DIGITS (11 = 11AM)

8. MATERIAL: SHELL - PA66 30GF, SEAL - MQ

| | | | | |
|----------------------------------------|----------------|-----------------------------------|-----------------------------------------------------------------------------------|-----------------|
| THIS DRAWING IS A CONTROLLED DOCUMENT. | | DWN 18 JUL 2012 I GRANTCHAROVA | TE Connectivity | |
| DIMENSIONS: IN [MM] | | CHK 23 AUG 2012 I GRANTCHAROVA | | |
| TOLERANCES UNLESS OTHERWISE SPECIFIED: | | APVD 24 AUG 2012 D MEYER | NAME PLASTIC RECEPTACLE CONNECTOR BAYONET COUPLING HDP SERIES, SIZE 18, -L024 MOD | |
| 0 PLC ± | 1 PLC ± | PRODUCT SPEC 108-151015 | SIZE A2 | CAGE CODE 00779 |
| 2 PLC ±0.025 [0.64] | 3 PLC ± | APPLICATION SPEC 114-151015 | DRAWING NO. C-HDP24-18-XXP/SX-L024 | RESTRICTED TO |
| 4 PLC ± | ANGLES ±0° 30' | WEIGHT - | SCALE 2:1 | SHEET 1 OF 1 |
| MATERIAL 8 | FINISH - | CUSTOMER DRAWING | REV A | |