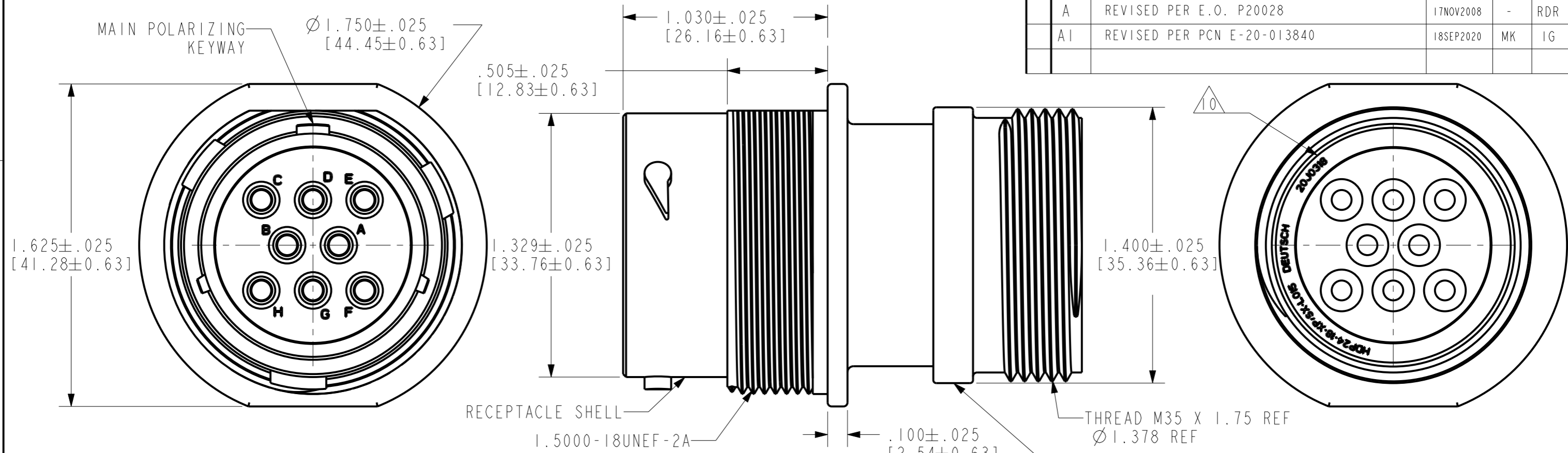
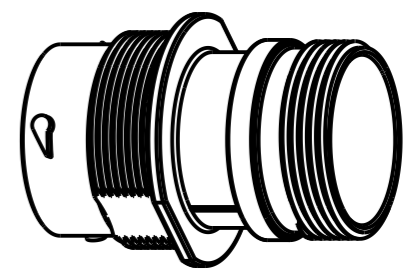
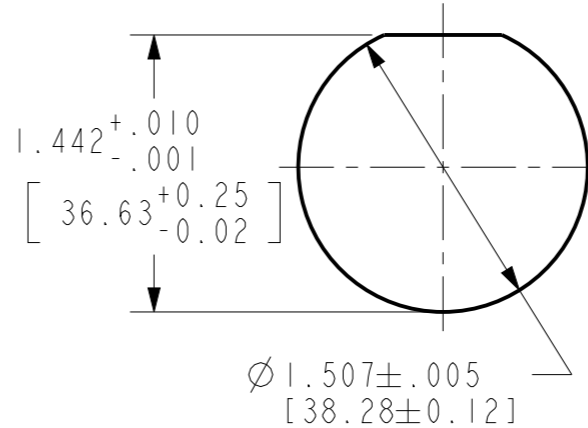


P	LTR	DESCRIPTION	DATE	DWN	APVD
NC		NEW RELEASE PER E.O. P19981	09SEP2008	-	DN
A		REVISED PER E.O. P20028	17NOV2008	-	RDR
AI		REVISED PER PCN E-20-013840	18SEP2020	MK	IG



10 DATE CODE: IDENTIFIES THE YEAR, MONTH, DAY AND HOUR OF ASSEMBLY.
 YEAR: FIRST AND SECOND DIGITS. (14=2014)
 MONTH: THIRD DIGIT, EXCLUDING I.A=JAN., B=FEB., C=MARCH... (K=OCT.)
 DAY: FOURTH AND FIFTH DIGIT (14=14th DAY)
 HOUR: SIXTH AND SEVENTH DIGIT (11=11AM)

9. 18-8 ARRANGEMENT SHOWN FOR REFERENCE ONLY.
8. THIS RECEPTACLE TO BE USED WITH 2414-002-1886 LOCK WASHER AND 2411-002-1805 PANEL NUT.
7. FOR PERFORMANCE AND APPLICATION CHARACTERISTICS SEE ENVELOPE DRAWING 0425-021-0000.
6. PART NUMBER INFO: **=ARRANGEMENT; *=SEAL TYPE
5. THIS RECEPTACLE MATES WITH HDP26-18-**P/S*-**** (****=ALL MODIFICATIONS)
4. FOR CONTACTS AND WIRE PERFORMANCE AND APPLICATION CHARACTERISTICS SEE ENVELOPE DWG. 0425-015-0000.
3. RECOMMENDED PANEL THICKNESS: .062(1.57) TO .1875(4.76) MAX.
2. CONDUIT ADAPTER COLOR REFLECTS WIRE SEAL DIAMETER. (GREEN='N' SEAL; GREY='T' SEAL; BLUE='E' SEAL)
1. FOR CONTACT ARRANGEMENTS, SEE ENVELOPE DRAWING 0425-014-2400.



3D VIEW

RECOMMENDED PANEL MOUNTING HOLE

THIS DRAWING IS A CONTROLLED DOCUMENT.		DWN I. GRANTCHAROVA 12 JUL 2007																
DIMENSIONS: INCH [MM]		CHK B. BYFORD 14 NOV 2008																
TOLERANCES UNLESS OTHERWISE SPECIFIED:		APVD S. REARD 06 NOV 2008	NAME PLASTIC RECEPTACLE CONNECTOR BAYONET COUPLING HDP SERIES SIZE 18 -L015 MOD															
<table border="0"> <tr> <td>0 PLC</td> <td>±-</td> </tr> <tr> <td>1 PLC</td> <td>±</td> </tr> <tr> <td>2 PLC</td> <td>±</td> </tr> <tr> <td>3 PLC</td> <td>±.025</td> </tr> <tr> <td>4 PLC</td> <td>±</td> </tr> <tr> <td>ANGLES</td> <td>±</td> </tr> </table>		0 PLC	±-	1 PLC	±	2 PLC	±	3 PLC	±.025	4 PLC	±	ANGLES	±	PRODUCT SPEC 108-151015	SIZE A3	CAGE CODE 00779	DRAWING NO G-HDP24-18-XXPSX-L015	RESTRICTED TO -
0 PLC	±-																	
1 PLC	±																	
2 PLC	±																	
3 PLC	±.025																	
4 PLC	±																	
ANGLES	±																	
MATERIAL -	FINISH -	APPLICATION SPEC 114-151015	WEIGHT 40.4 g	SCALE 1.000	SHEET OF	REV AI												
		CUSTOMER DRAWING																