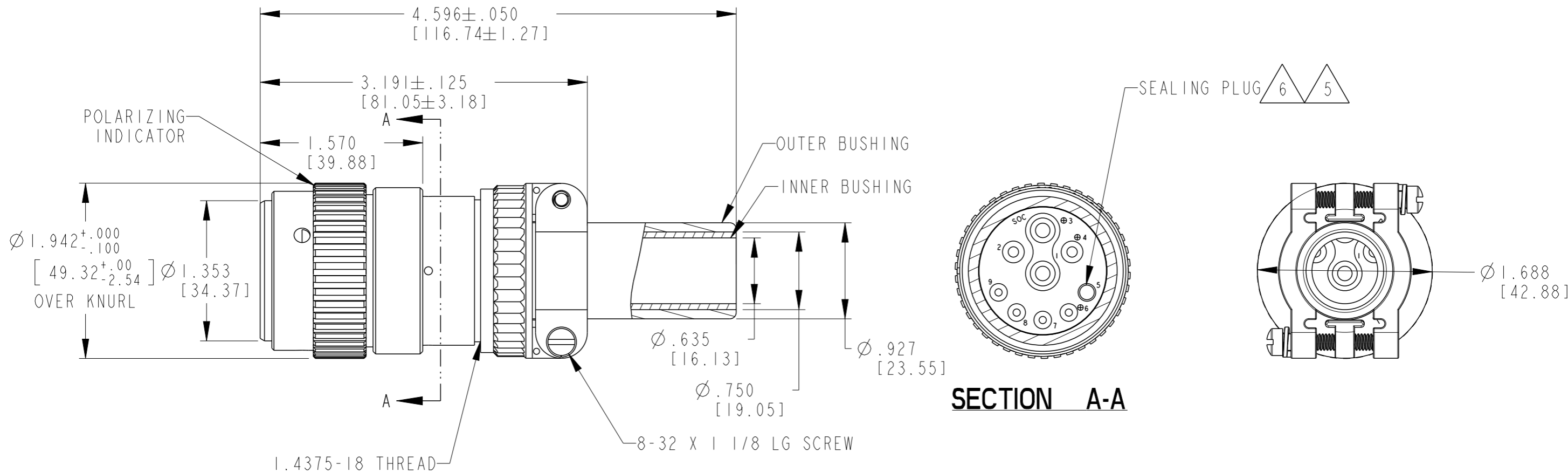


P	LTR	DESCRIPTION	DATE	DWN	APVD
	NC	NEW RELEASE PER E.O. P19108	13DEC2005	RM	RDR
	A	REVISED PER ECR-21-000055	15JAN2021	AP	IG



- 6. CAVITY 5 IS WITH CONTACT SIZE 16 AND THE GROMMET IS SEALED.
- 5. CONTACTS 4 AND 5 ARE INTERNALLY CONNECTED. (BUILT-IN BRIDGE)
- 4. CABLE CLAMP ACCEPTS CABLE O.D. Ø.300 MIN. THRU Ø.948 MAX.
- 3. FOR CONTACTS AND WIRES PERFORMANCE AND APPLICATION CHARACTERISTICS SEE ENVELOPE DRAWING 0425-015-0000.

- 8. BREAKAWAY FUNCTION OCCURS AT AN AXIAL LOAD OF 50 TO 100 LBS.
- 7. THIS CONNECTOR MATES WITH HD34-24-91P*-**** (* = SEAL TYPE, **** = ALL MODIFICATIONS) AND HDBOX24-91P*.

- 2. FOR PERFORMANCE AND APPLICATION CHARACTERISTICS SEE ENVELOPE DRAWING 0425-016-0000.
- 1. CONSULT THE FACTORY FOR ELECTRICAL AND MATERIAL SPECIFICATIONS.

NOTES:

THIS DRAWING IS A CONTROLLED DOCUMENT.		DWN R. MESSENGER 29NOV2005														
DIMENSIONS: INCHES [mm]		CHK B. BYFORD 13DEC2005														
TOLERANCES UNLESS OTHERWISE SPECIFIED:		APVD S. BEARD 13DEC2005	NAME PLUG, BREAKAWAY BAYONET COUPLING CONNECTOR 24-91 ARR. 059 MOD HDB SERIES													
<table border="1"> <tr> <td>0 PLC</td> <td>±</td> </tr> <tr> <td>1 PLC</td> <td>±</td> </tr> <tr> <td>2 PLC</td> <td>±.025 [0.63]</td> </tr> <tr> <td>3 PLC</td> <td>±</td> </tr> <tr> <td>4 PLC</td> <td>±</td> </tr> <tr> <td>ANGLES</td> <td>±</td> </tr> </table>		0 PLC	±	1 PLC	±	2 PLC	±.025 [0.63]	3 PLC	±	4 PLC	±	ANGLES	±	PRODUCT SPEC 108-151014	SIZE A3	
0 PLC	±															
1 PLC	±															
2 PLC	±.025 [0.63]															
3 PLC	±															
4 PLC	±															
ANGLES	±															
MATERIAL		APPLICATION SPEC 114-151014	CAGE CODE 00779	DRAWING NO G-HDB36-24-91SX-059												
FINISH		WEIGHT	RESTRICTED TO													
		CUSTOMER DRAWING	SCALE 1:1	SHEET 1 OF 1												
			REV A													