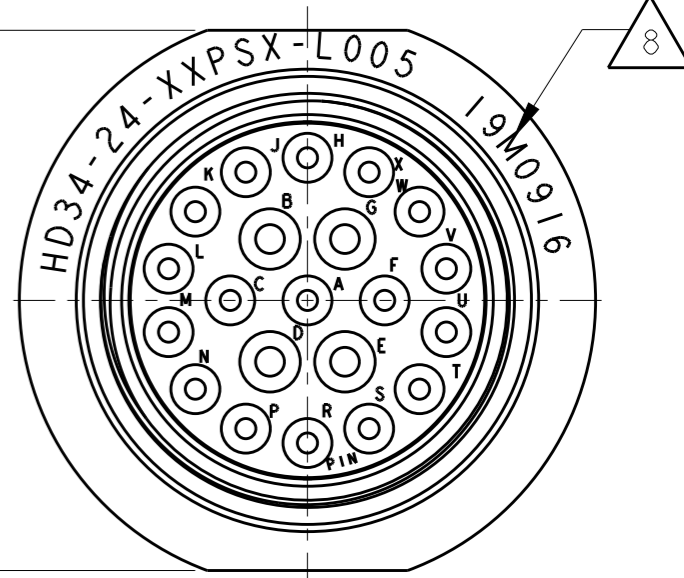
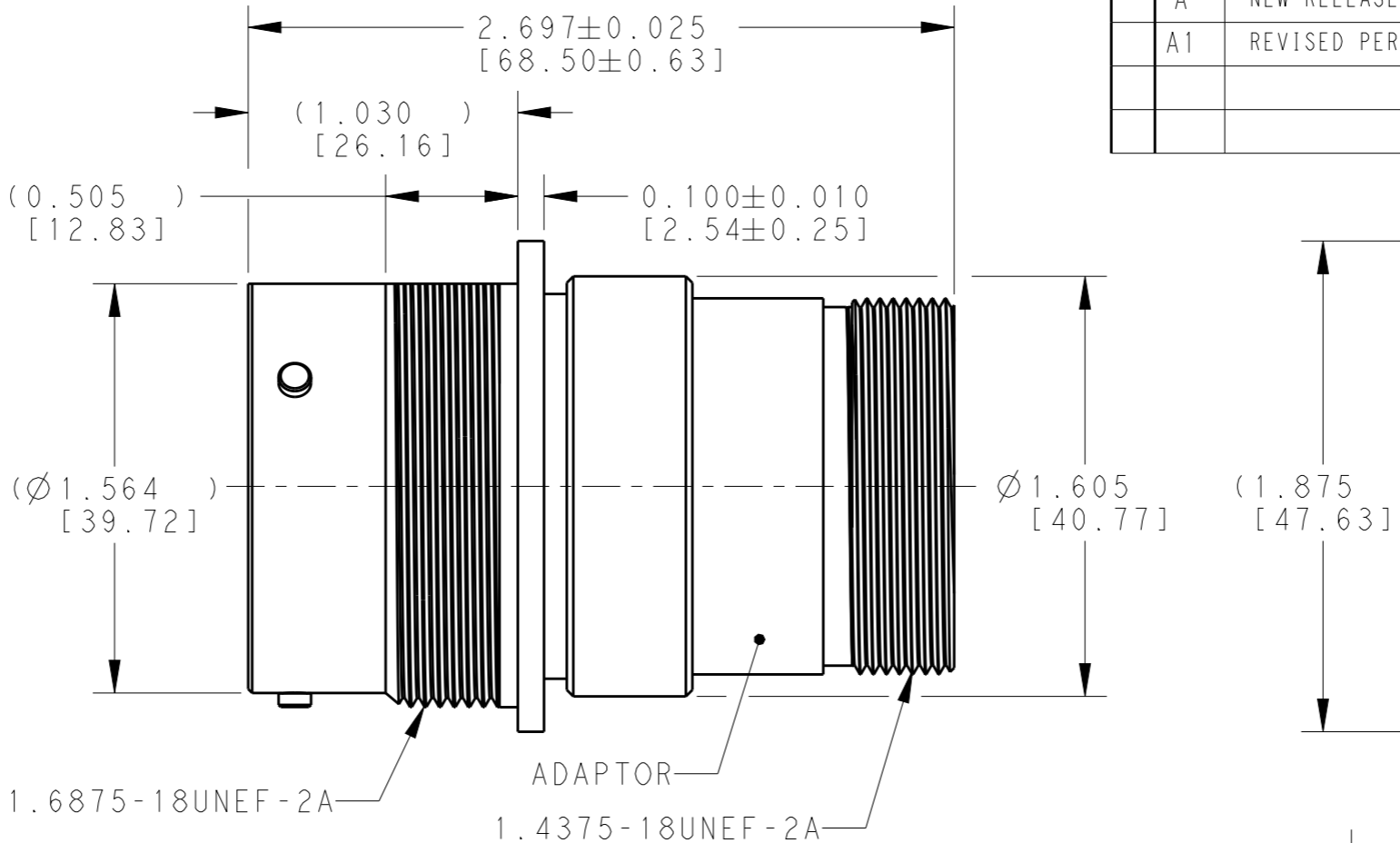
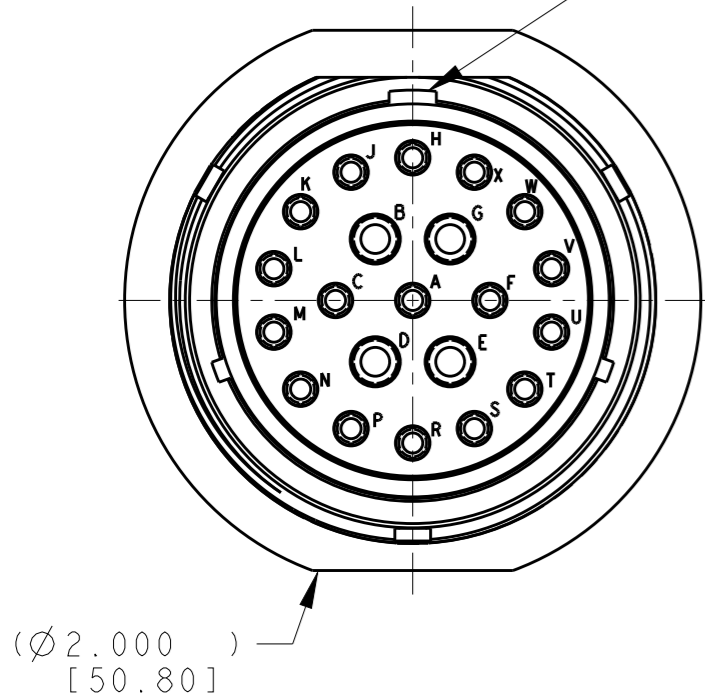


LOC	DIST	REVISIONS			
P	LTR	DESCRIPTION	DATE	DWN	APVD
	A	NEW RELEASE PER ECO-14-013992	06OCT2014	JA	DM
	A1	REVISED PER PCN E-20-000705	28JAN2020	MK	DM

MAIN POLARIZING KEYWAY

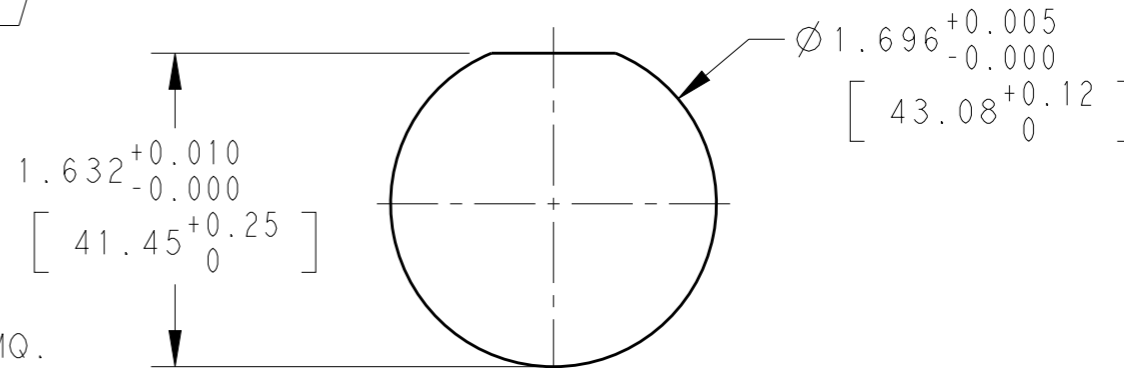


8 DATE CODE: IDENTIFIES THE YEAR, MONTH, DAY AND HOUR OF ASSEMBLY.
 YEAR: FIRST AND SECOND DIGITS. (14=2014)
 MONTH: THIRD DIGIT, EXCLUDING I.A=JAN., B=FEB., C=MARCH... (K=OCT.)
 DAY: FOURTH AND FIFTH DIGIT (14=14TH DAY)
 HOUR: SIXTH AND SEVENTH DIGIT (11=11AM)

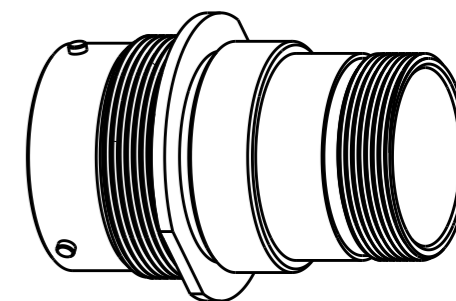
7 MATERIAL: SHELL AND ADAPTOR: ALUMINUM ALLOY 6061-T6, SEAL: SILICONE MQ.
 GROMMET: SILICONE VMQ (RED), RETAINER RING: PA66 GF10

- RECOMMENDED PANEL THICKNESS: .0625 [1.59] TO .1875 [4.76].
- FOR ARRANGEMENT OF CONTACT LOCATION SEE ENVELOPE DWG 0425-014-2400.
- FOR CONNECTOR PERFORMANCE AND APPLICATION INFORMATION, SEE DRAWING NUMBER 0425-016-0000.
- THIS CONNECTOR MATES WITH PART NO. HD36-24-XXS/PX-XXXX.
 XX= NUMBER OF CAVITIES, X= TYPE OF SEAL, XXXX= ALL MODIFICATION.
- 21 PIN ARRANGEMENT SHOWN FOR REFERENCE ONLY.
- CONSULT FACTORY FOR ELECTRICAL AND MATERIAL SPECIFICATIONS.

NOTES:



RECOMMENDED PANEL MOUNTING HOLE



THIS DRAWING IS A CONTROLLED DOCUMENT.		DWN 06OCT2014 JAIME C. APOSTOL			
DIMENSIONS: INCHES [mm]		CHK 06OCT2014 ILINA GRANTCHAROVA			
TOLERANCES UNLESS OTHERWISE SPECIFIED:		APVD 06OCT2014 DAVID MEYER	NAME RECEPTACLE CONNECTOR SIZE 24 BAYONET COUPLING -L005 MOD HD SERIES		
0 PLC ±		PRODUCT SPEC 108-151014	SIZE A34AFU8	CAGE CODE C=HD34-24-XXP/SX-L005	RESTRICTED TO -
1 PLC ±		APPLICATION SPEC 114-151014	SCALE NONE		
2 PLC ±		WEIGHT 142g	SHEET 1 OF 1		
3 PLC ±0.010 [0.254]		Customer Drawing	REV A1		
4 PLC ±					
ANGLES ± ±0°30'0"					
FINISH N/A					