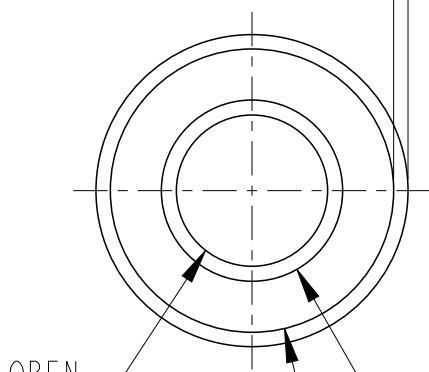


SCALE 1:2

REVISIONS

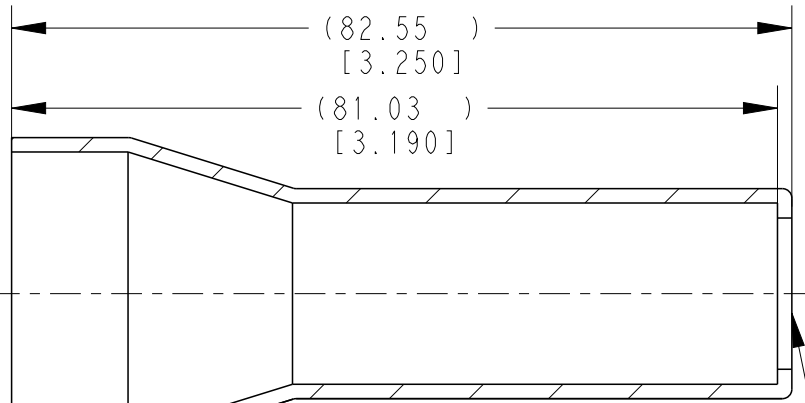
P	LTR	DESCRIPTION	DATE	DWN	APVD
	A	NEW RELEASE PER ECO-14-013276	27AUG2014	DM	DM
	A1	REVISE PER E-19-014486	16SEP2019	JA	DM
	A2	REVISED PER PCN E-20-004409	24MAR2020	AP	IG

1.52±0.25  
[.060±.010]  
MEASURED 6.35±0.64  
[.250±.025]  
FROM OPEN END



OPEN

(Ø 19.18 )  
[.755]  
(Ø 29.97 )  
[1.180]



(82.55 )  
[3.250]

(81.03 )  
[3.190]

12.32±1.60  
[.485±.063]



- 6. SMALL NON-FILLS ARE ACCEPTABLE INSIDE OF PART, INCLUDING SUPPLIER MARKING.
- 5. SMALL MATERIAL EXTENSION IS ACCEPTABLE ON THIS END ALL AROUND. WALL THICKNESS ON THIS END MAY VARY.
- 4. BOTTOM OF PART IS MOLDED OPEN.
- 3. THIS ACCESSORY PART IS PROVIDED WITHOUT TYPICAL TRANSPORTATION INDUSTRY PROCESS CONTROLS. NO VALIDATION TESTING HAS BEEN PERFORMED. CUSTOMER IS RESPONSIBLE FOR DETERMINING PRODUCT PERFORMANCE AND SUITABILITY FOR APPLICATION.
- 2. TEMPERATURE RATING: -29°C TO +100°C [-20°F TO +212°F].
- 1. THIS PART IS USED ON  
HDP24-18-XXX RECEPTACLES  
HDP26-18-XXX PLUGS  
HD34-18-XXX RECEPTACLES  
HD36-18-XXX PLUGS  
WHERE XXX IS PIN ARRANGEMENTS.

TE INTERNAL PN	DEUTSCH PN
HD30-18BT-BK	HD30-18BT-BK

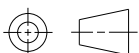
NOTES:

THIS DRAWING IS UNPUBLISHED. ALL RIGHTS RESERVED. BY TE CONNECTIVITY. COPYRIGHT 2014. 2019. RELEASED FOR PUBLICATION.

DIMENSIONS:	
mm	[INCHES]
TOLERANCES UNLESS OTHERWISE SPECIFIED:	
0 PLC	±
1 PLC	±
2 PLC	±
3 PLC	±0.63 [.025]
4 PLC	±
ANGLES	±0°30'0"

DWN	D.MEYER	27AUG2014
CHK	I.GRANTCHAROVA	27AUG2014
APVD	D.MEYER	27AUG2014
PRODUCT SPEC		
APPLICATION SPEC		
WEIGHT	9.66g	

MATERIAL	PVC	FINISH	BLACK
<b>TE</b> TE Connectivity			
NAME BOOT, SIZE 18 HD30/HDP20 SERIES			
SIZE	CAGE CODE	DRAWING NO	RESTRICTED TO
A 4	4AFU8	©-HD30-18BT-BK	-



CUSTOMER DRAWING	SCALE	5:4	SHEET	1 OF 1	REV	A2
------------------	-------	-----	-------	--------	-----	----