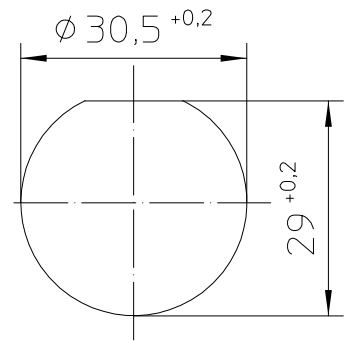
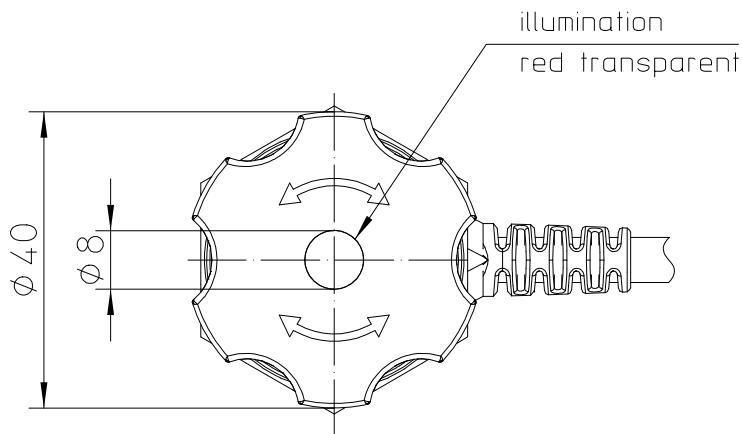
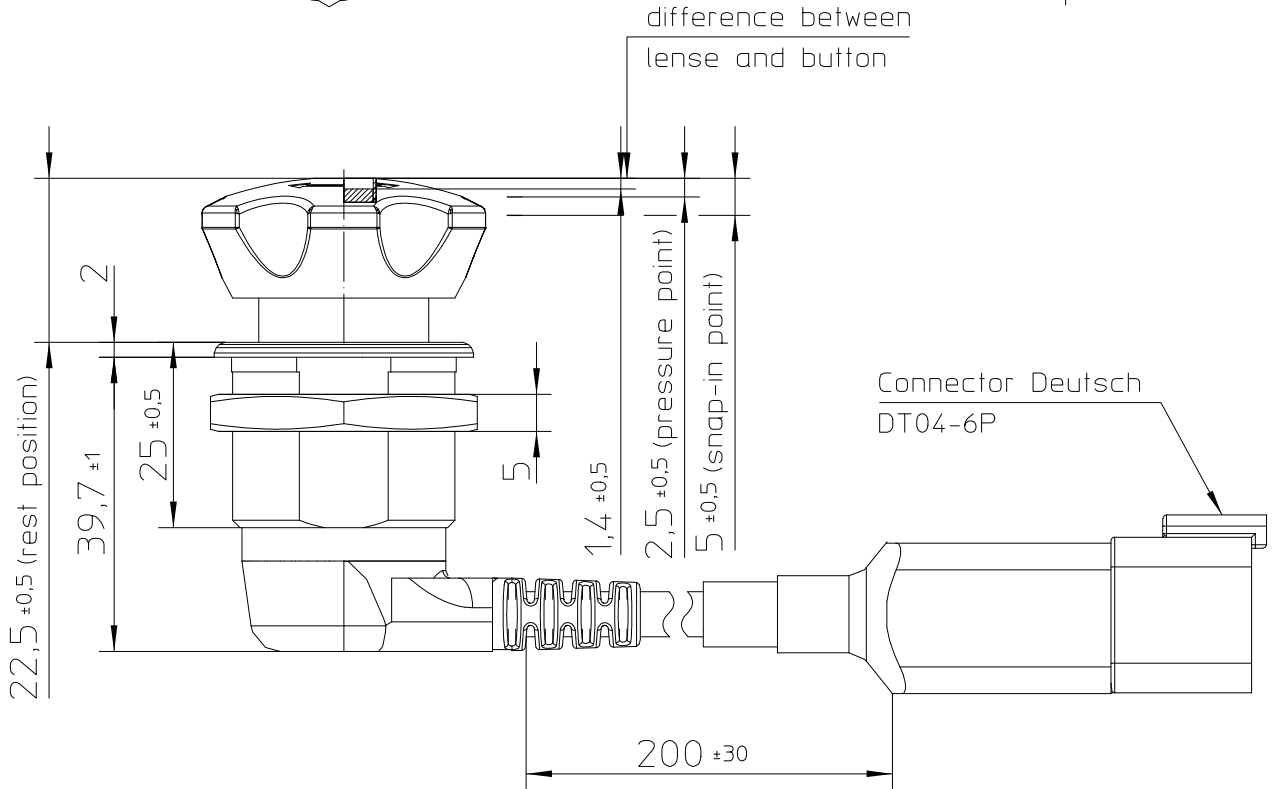


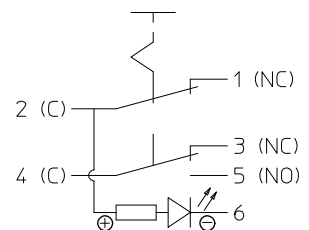
Mounting dimensions



For this drawing we reserve the copyright in accordance with DIN ISO 16016



Circuit Diagram:



	Date	Name
Create	23.05.2019	Nonne
Edited	22.11.2019	WalzA
Check	22.11.2019	Nonne

mm	Scale
↔	1:1
General Tolerances DIN ISO 2768 cL	



Drawing No:
ES-2101-T422-020C 912

NSN:

Technical Data

Construction

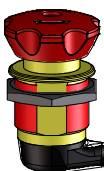
Material socket	PA GF RAL 1003, UL 94 V0
Material button	PA GK RAL 3000, UL 94 HB
Material lense	POM, UL 94 HB
Illumination colour	red transparent
LED-luminous colour	white
LED-illuminance	1400 mcd
Protection interior	IP67 IEC 60529
	IP6K9K IEC 60529
connector (in mated condition)	IP67/ IP6K9K IEC 60529
Shock resistance	ISO 16750-3; 50g/ 6ms half sinus
Vibration resistance	ISO 16750-3; Test VII
Climatic resistance	IEC 60068-2-38
Chemical resistance	ISO 16750-5; Code Z
Temperature range	-40°C to +85°C
Torque M30x1,5 max.	6 Nm
Weight	tbd

Mechanical Data

Locking (turn to reset)	EN 60947-5-5
Positive opening operation (NO)	EN 60947-5-1
Operating force max.	20-50 N
Torque knob max.	3 Nm
Current carrying party	Cu-Alloy
Contact material	Ag-Alloy
Mechanical life	40 000 cycles

Electrical Data

Voltage range	9VDC to 32VDC
Nominal voltage	12VDC / 24VDC
contact resistance	max. 50 mOhm
Insulation resistance	> 100 MOhm at 500 VDC
Continuous current	10mA to 6A
Current max.	6,5 A
Switching capacity min.	12 VDC, 10mA
Electrical life	
at 5 A / 28 VDC ohmic load	25 000 cycles
at 2 A / 28 VDC ohmic load	40 000 cycles
Short circuit protection	Automotive fast-acting fuse 10A



M 1:3



Scale
1:2

General Tolerances
DIN ISO 2768 cL



Drawing No:

ES-2101-T422-020C 912

NSN:

	Date	Name
Create	23.05.2019	Nonne
Edited	22.11.2019	Walza
Check	22.11.2019	Nonne