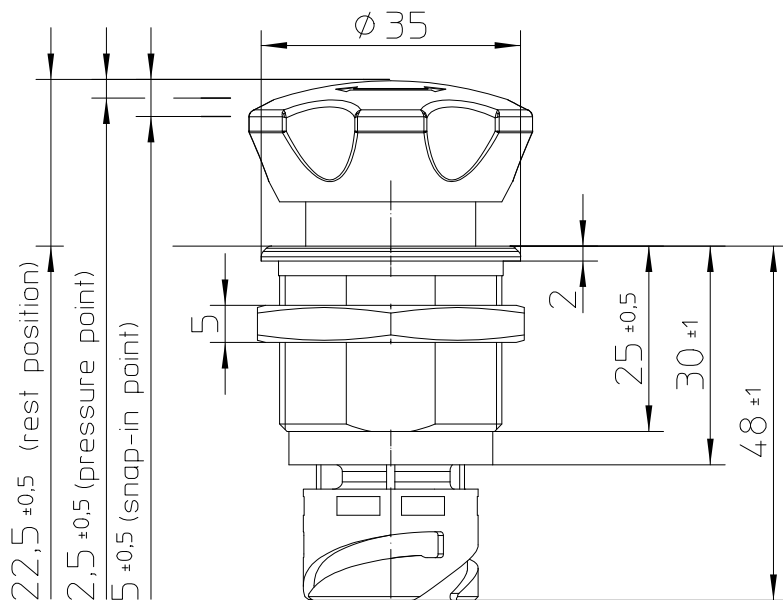
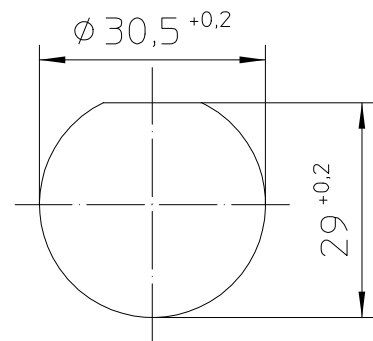
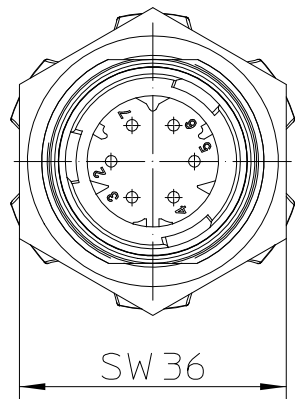
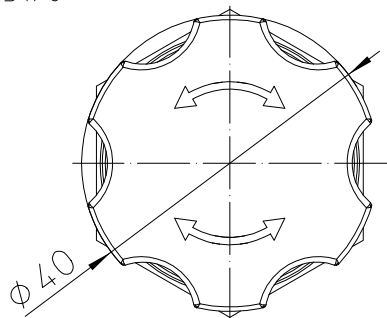


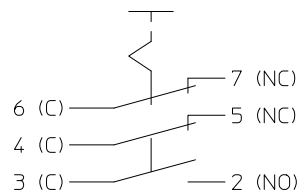
Mounting Dimensions



plug and socket device
6-pol.in accordance to
DIN 72585 / ISO 15170



Circuit Diagram:



For this drawing we reserve the copyright in accordance with DIN ISO 16016

	Date	Name
Create	08.08.2016	Hamar
Edited	07.10.2019	Hamar
Check	09.10.2019	Baumg

mm	Scale
↔	1:1
General Tolerances DIN ISO 2768 cL	



Drawing No:	ES-2012-T112
NSN:	

Technical Data

Construction

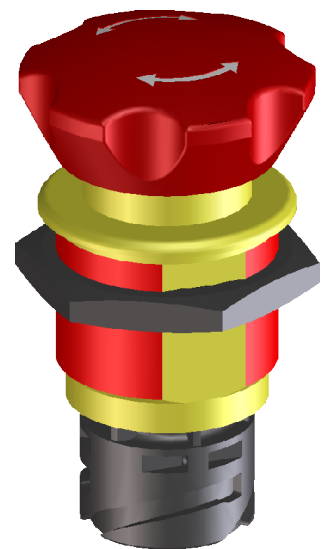
Material socket PA GF RAL 1003; UL 94 V0
Material button PA GK RAL 3000; UL 94 HB
Protection interior IP67 IEC 60529
..... IP6K9K IEC 60529
connector (in mated condition) IP67/ IP6K9K IEC 60529
Shock resistance ISO 16750-3; 50g/ 6ms half sinus
Vibration resistance ISO 16750-3; Test VII
Climatic resistance IEC 60068-2-38
Chemical resistance ISO 16750-5; Code Z
Temperature range -40°C to +85°C
Torque M30x1,5 max. 6 Nm
Weight ca. 50g

Mechanical Data

Locking (turn to reset) EN 60947-5-5
Positive opening operation (NO) EN 60947-5-1
Switching sequence BBM - Break before make
Operating force max. 20-50 N
Torque knob max. 3 Nm
Current carrying party Cu-Alloy
Contact material Ag-Alloy
Mechanical life 40 000 cycles

Electrical Data

Voltage range 9VDC to 32VDC
Nominal voltage 12VDC / 24VDC
Dielectric withstanding voltage 1050 VAC for 1 min.
contact resistance max. 50 mOhm
Insulation resistance > 100 MOhm at 500 VDC
Continuous current 10mA to 10A
Current max. 10,1 A
Switching capacity min. 12 VDC, 10mA
Electrical life
at 10 A / 28 VDC ohmic load 10 000 cycles
at 5 A / 28 VDC ohmic load 40 000 cycles
at 2 A / 28 VDC ohmic load 40 000 cycles
Short circuit protection Automotive fast-acting fuse 10A



For this drawing we reserve the copyright in accordance with DIN ISO 16016

	Date	Name
Create	08.08.2016	Hamar
Edited	07.10.2019	Hamar
Check	09.10.2019	Baumg

mm ←→	Scale 1:1
General Tolerances DIN ISO 2768 cL	



Drawing No:

ES-2012-T112

NSN.: