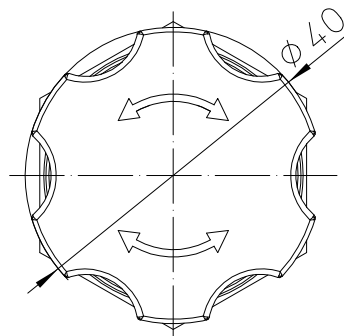
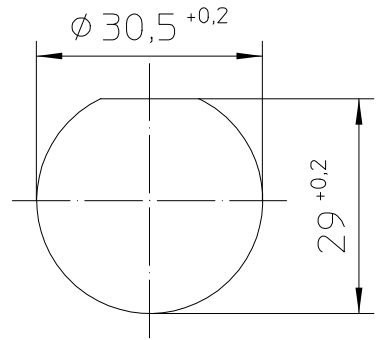
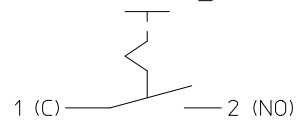


### Mounting dimensions



### Circuit Diagram:



For this drawing we reserve the copyright in accordance with DIN ISO 16016

	Date	Name
Create	24.10.2017	Baumg
Edited	12.08.2019	Baumg
Check	13.08.2019	Nonne

mm	Scale
$\longleftrightarrow$	1:1
General Tolerances DIN ISO 2768 cL	



Drawing No:  
ES-2010-T312-018G

NSN:

## Technical Data

### Construction

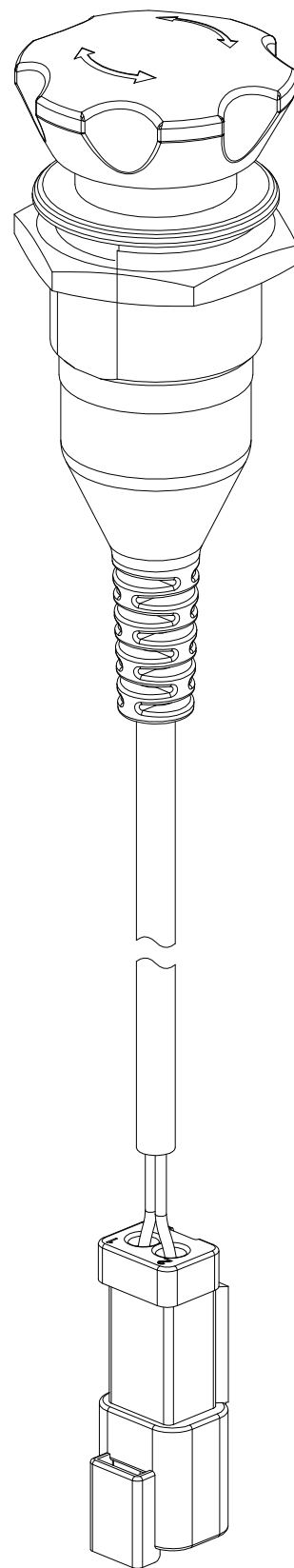
Material socket .....	PA GF RAL 1003; UL 94 V0
Material button .....	PA GK RAL 3000; UL 94 HB
Protection interior .....	IP67 IEC 60529
.....	IP6K9K IEC 60529
connector (in mated condition) .....	IP67 IEC 60529
Shock resistance .....	ISO 16750-3; 50g/ 6ms half sinus
Vibration resistance .....	ISO 16750-3; Test VII
Climatic resistance .....	IEC 60068-2-38
Chemical resistance .....	ISO 16750-5; Code Z
Temperature range .....	-40°C to +85°C
Torque M30x1,5 max. ....	6 Nm
Weight .....	approx. 72g

### Mechanical Data

Locking (turn to reset) .....	EN 60947-5-5
Positive opening operation (NO) .....	EN 60947-5-1
Operating force max. ....	20-50 N
Torque knob max. ....	3 Nm
Current carrying party .....	Cu-Alloy
Contact material .....	Ag-Alloy
Mechanical life .....	40 000 cycles

### Electrical Data

Voltage range .....	9VDC to 32VDC
Nominal voltage .....	12VDC / 24VDC
Dielectric withstanding voltage .....	1050 VAC for 1 min.
contact resistance .....	max. 50 mOhm
Insulation resistance .....	> 100 MOhm at 500 VDC
Continuous current .....	10mA to 8A
Current max. ....	10,1 A
Switching capacity min. ....	12 VDC, 10mA
Electrical life .....	
at 10 A / 28 VDC ohmic load .....	10 000 cycles
at 5 A / 28 VDC ohmic load .....	40 000 cycles
at 2 A / 28 VDC ohmic load .....	40 000 cycles
Short circuit protection .....	Automotive fast-acting fuse 10A



For this drawing we reserve the copyright in accordance with DIN ISO 16016

	Date	Name
Create	24.10.2017	Baumg
Edited	12.08.2019	Baumg
Check	13.08.2019	Nonne

mm ←→	Scale 1:1
General Tolerances DIN ISO 2768 cL	



Drawing No:

ES-2010-T312-018G

NSN.: