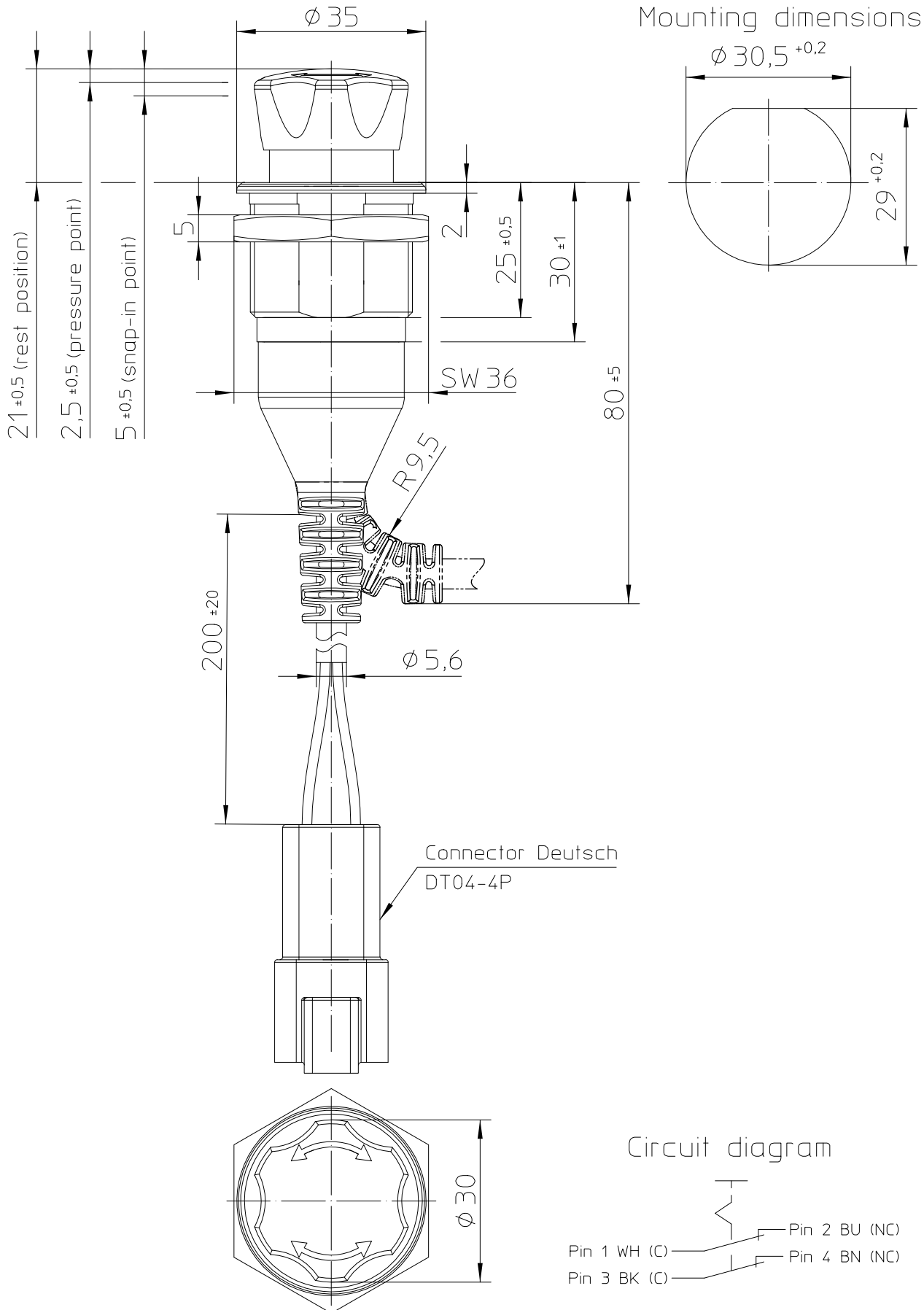
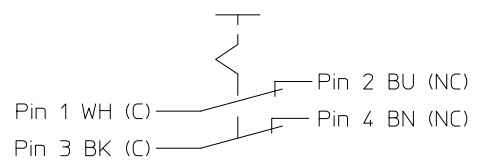


Emergency Switch



Circuit diagram



For this drawing we reserve the copyright in accordance with DIN ISO 16016

	Date	Name
Create	07.08.2018	Mielk
Edited	12.08.2019	Baumg
Check	13.08.2019	Nonne

mm

Scale
1:1

General Tolerances
DIN ISO 2768 cL



Drawing No:

ES-2002-T311-020B

NSN:

Technical Data

Construction

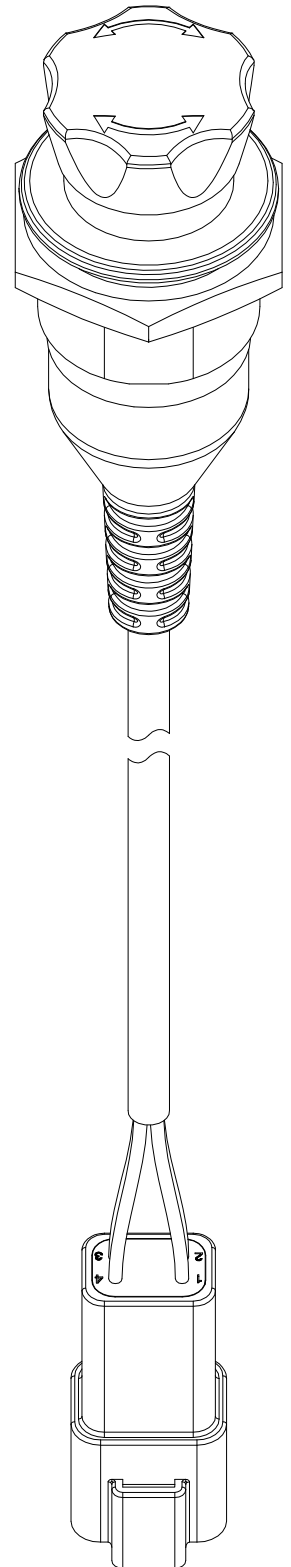
Material socket	PA GF RAL 1003; UL 94 V0
Material button	PA GK RAL 3000; UL 94 HB
Protection interior	IP67 IEC 60529
.....	IP6K9K IEC 60529
connector (in mated condition)	IP67 IEC 60529
Shock resistance	ISO 16750-3; 50g/ 6ms half sinus
Vibration resistance	ISO 16750-3; Test VII
Climatic resistance	IEC 60068-2-38
Chemical resistance	ISO 16750-5; Code Z
Temperature range	-40°C to +85°C
Torque M30x1,5 max.	6 Nm
Weight	ca. 70g

Mechanical Data

Locking (turn to reset)	EN 60947-5-5
Positive opening operation (NO)	EN 60947-5-1
Operating force max.	20-50 N
Torque knob max.	3 Nm
Current carrying party	Cu-Alloy
Contact material	Ag-Alloy
Mechanical life	40 000 cycles

Electrical Data

Voltage range	9VDC to 32VDC
Nominal voltage	12VDC / 24VDC
Dielectric withstanding voltage	1050 VAC for 1 min.
contact resistance	max. 50 mOhm
Insulation resistance	> 100 MOhm at 500 VDC
Continuous current	10mA to 8A
Current max.	10,1 A
Switching capacity min.	12 VDC, 10mA
Electrical life	
at 8 A / 28 VDC ohmic load	10 000 cycles
at 5 A / 28 VDC ohmic load	40 000 cycles
at 2 A / 28 VDC ohmic load	40 000 cycles
Short circuit protection	Automotive fast-acting fuse 10A



For this drawing we reserve the copyright in accordance with DIN ISO 16016

	Date	Name	mm ←→	Scale 1:1		Drawing No:
Create	07.08.2018	Mielk				General Tolerances DIN ISO 2768 cL
Edited	12.08.2019	Baumg				NSN.:
Check	13.08.2019	Nonne				