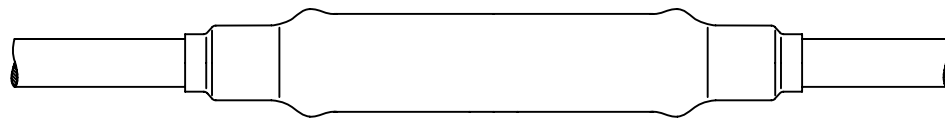
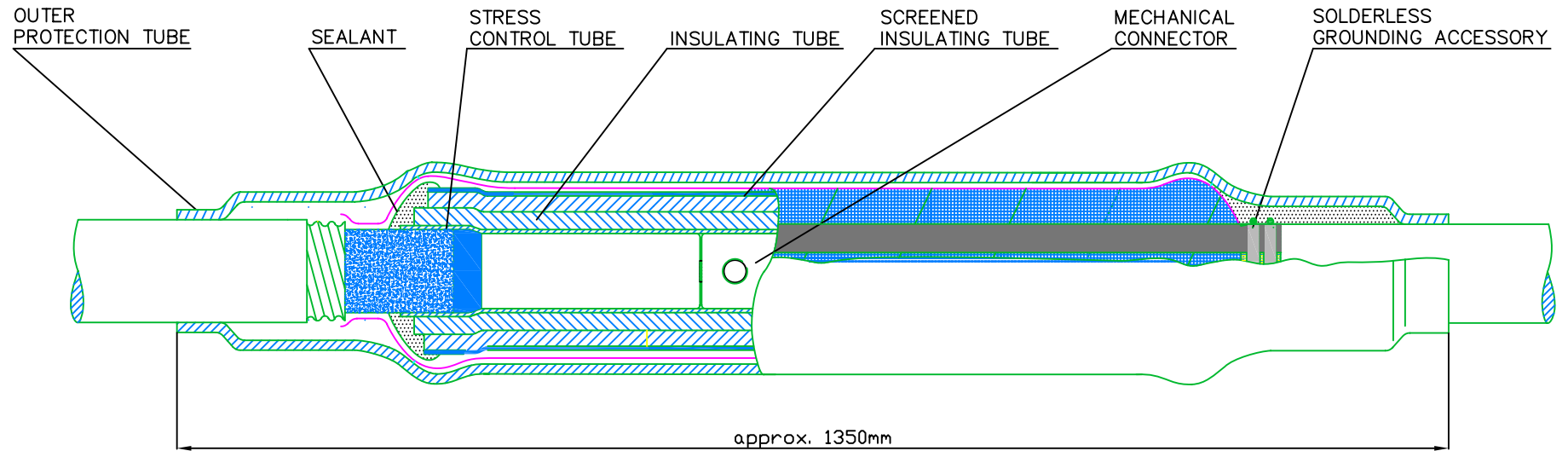


THIS INFORMATION IS CONFIDENTIAL AND PROPRIETARY TO TYCO ELECTRONICS CORPORATION AND ITS WORLDWIDE SUBSIDIARIES AND AFFILIATES. IT MAY NOT BE DISCLOSED TO ANYONE OTHER THAN TYCO ELECTRONICS PERSONNEL, WITHOUT WRITTEN AUTHORIZATION FROM TYCO ELECTRONICS CORPORATION.



Technical Data

Highest Voltage U_m	kV	72.5
Lightning Impulse Voltage	kV	350
Length (approx.)	mm	1350
Kit Weight (approx.)	kg	10.5
Max. Conductor Size Cu/Al (approx.)	mm ²	1200
Outer Diameter Cable Insulation	mm	≤86
Outer Diameter Cable Oversheath	mm	≤100

INLINE JOINT
72.5 kV
HEAT SHRINKABLE
FOR XLPE – CABLE

EHVS-72H-1
Offer drawing

 **Tyco Electronics**

TYCO ELECTRONICS RAYCHEM GMBH
OTTOBRUNN GERMANY

TYCO DRAWING NO.:
EPD-204-714-A4-B

SHEET 1 OF 1 REV B