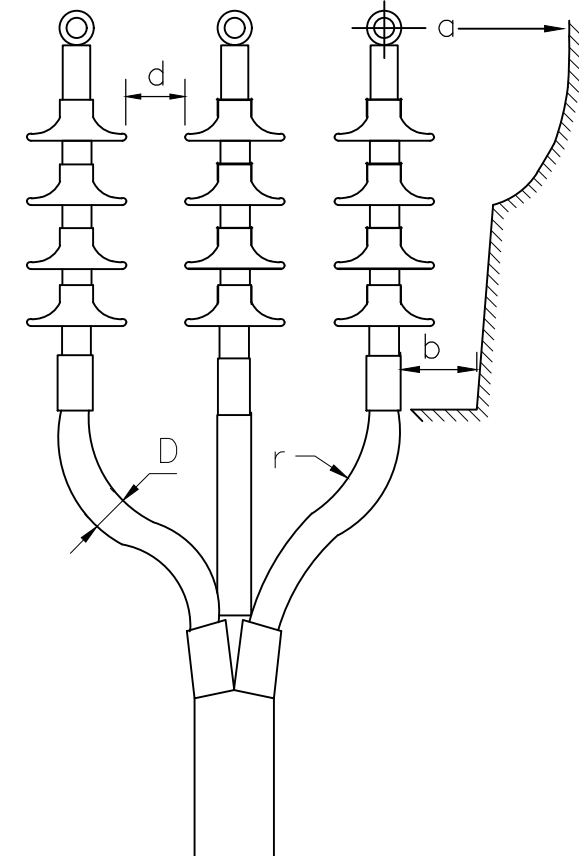
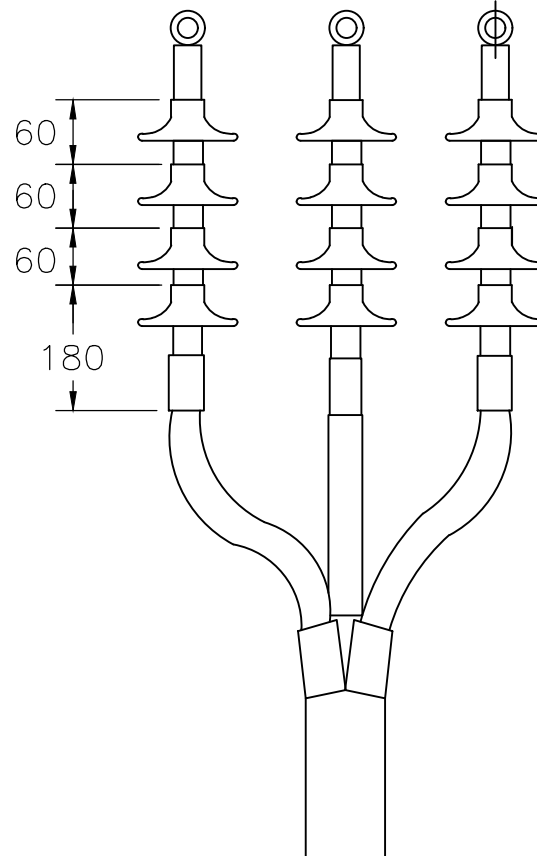
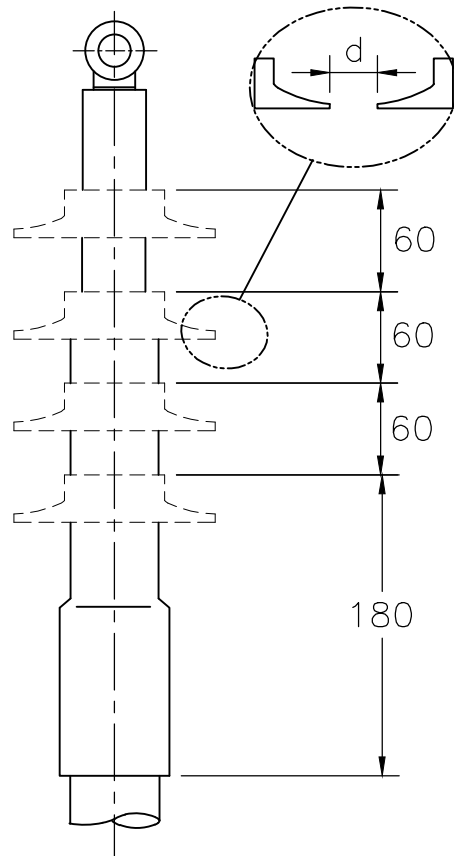


REVISIONS					
P	LTR	DESCRIPTION	DATE	DWN	APVD
	1	NEW DRAWING	06MAR2020	RK	JV

Raychem heat-shrinkable medium voltage terminations IXSU-F/OXSU-F are widely acknowledged in the industry and feature an unique integrated ZnO-based stress control system, flexibility of usage for crimp or mechanical lugs, unlimited shelf life and range-taking kits.



Number of skirts per core		
kV	Indoor	Outdoor
12	0	1
17.5	0	1
24	0	3
36	0	4
42	0	4

Mini clearances	Max. System voltage in kV			Max. System voltage in kV	
		12	17.5	24	36
a Air Clearance	as for local specification			as for local specification	
b ph/ph and ph/ground in mm	15	20	25	35	45
d Between skirts in mm	10	15	20	25	45
r (min.bending radius)=15xD					

THIS DRAWING IS A CONTROLLED DOCUMENT.		DWN RAGHAVENDRA K 06MAR2020	TE Connectivity						
DIMENSIONS: mm		CHK JORDI V 06MAR2020				NAME IXSU OXSU SHRINKABLE TERMINATIONS			
TOLERANCES UNLESS OTHERWISE SPECIFIED:		APVD JORDI V 06MAR2020	PRODUCT SPEC -						
0 PLC ± - 1 PLC ± - 2 PLC ± - 3 PLC ± - 4 PLC ± - ANGLES ± -		APPLICATION SPEC -	RESTRICTED TO -						
MATERIAL -		FINISH -	WEIGHT -	SIZE A3	CAGE CODE 00779	DRAWING NO C-EPD-202-0XSU/IXSU-01	SCALE NTS	SHEET 1 OF 1	REV 1
CUSTOMER DRAWING									