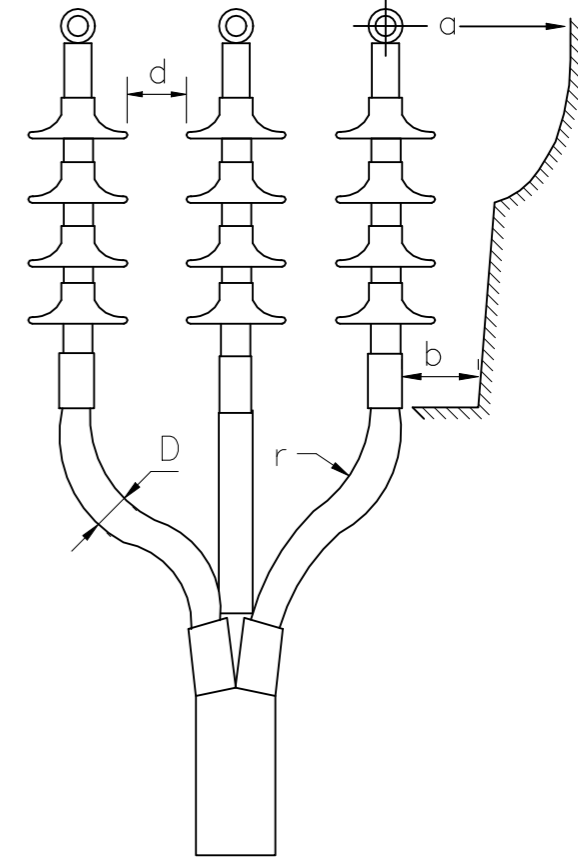
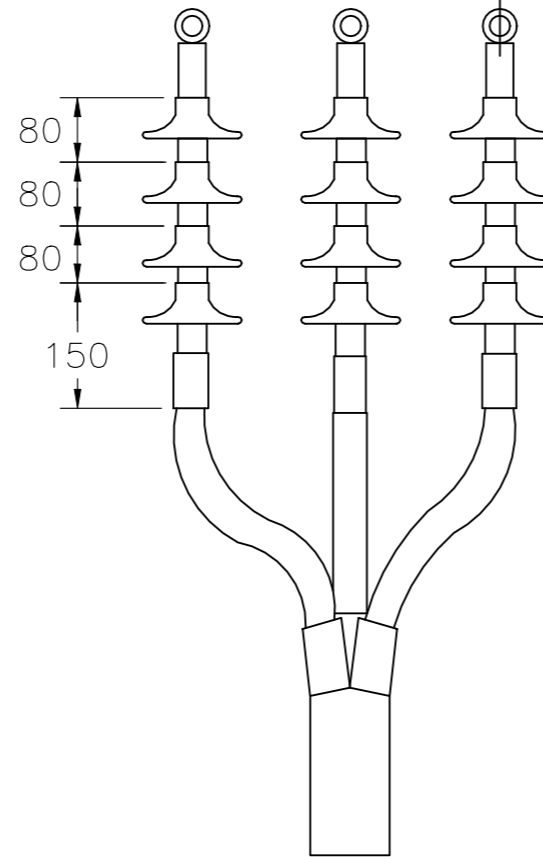
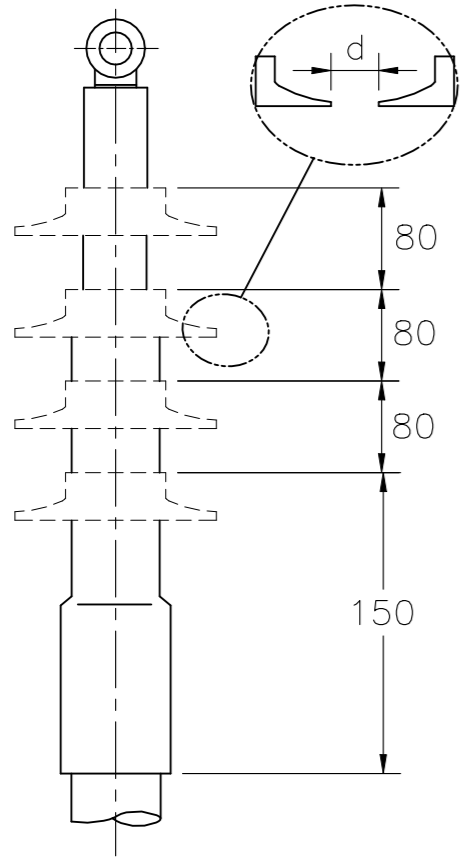


P	LTR	DESCRIPTION	DATE	DWN	APVD
	2	DRAWING UPDATES	14FEB2022	GSK	RS



Number of skirts per core		
kV	Indoor	Outdoor
8.7/15 (17.5)	0	2
12/20 (24)	1	3
26/35 (40.5)	2	4

Mini clearances	Max. System voltage in kV		
	17.5	24	40.5
a Air Clearance	as for local specification		
b ph/ph and ph/ground in mm	20	25	45
d Between skirts in mm	15	20	45
r (min.bending radius)=15xD			

THIS DRAWING IS A CONTROLLED DOCUMENT.		DWN RAGHAVENDRA K 06MAR2020	TE Connectivity				
DIMENSIONS: mm		CHK JORDI V 06MAR2020					
TOLERANCES UNLESS OTHERWISE SPECIFIED:		APVD WEIJIA YANG 06MAR2020	NAME APKT INDOOR/OUTDOOR HEAT SHRINKABLE TERMINATIONS				
0 PLC ± - 1 PLC ± - 2 PLC ± - 3 PLC ± - 4 PLC ± - ANGLES ± -		PRODUCT SPEC -	APPLICATION SPEC -				
MATERIAL -		FINISH -	WEIGHT	SIZE A3	CAGE CODE 00779	DRAWING NO G-EPD-202-0XSU/IXSU-01	RESTRICTED TO -
CUSTOMER DRAWING			SCALE NTS	SHEET 1 OF 1	REV 2		