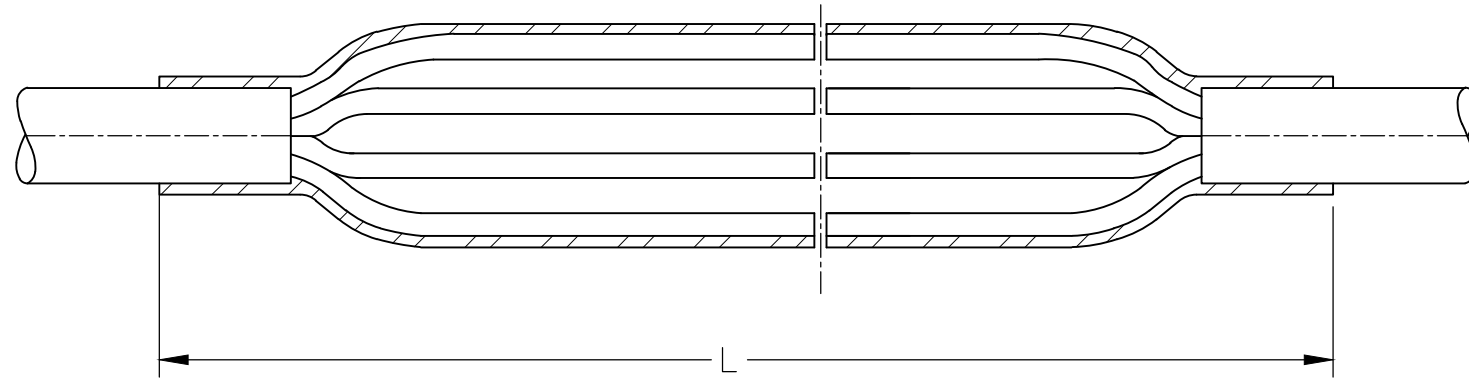



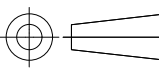
P	LTR	DESCRIPTION	DATE	DWN	APVD
	1	NEW DRAWING	24FEB2020	RK	GS



Cable cross section mm ²	L: Min. Length mm	L: Max. Length mm
1.5-6	300	550
10-50	350	750
35-150	400	950
95-300	450	1500

NOTES:

1. MATERIAL: JACKET – CROSS LINKED POLYOLEFIN BASED; COLOUR: BLACK
2. CONTINUOUS USE TEMP: -40° C TO 85° C
3. MIN RECOVERY TEMP 120° C

THIS DRAWING IS A CONTROLLED DOCUMENT.		DWN RAGHAVENDRA K 24FEB2020	 TE Connectivity				
DIMENSIONS: mm		CHK GREG S 24FEB2020					
		APVD GREG S 24FEB2020	NAME LOW VOLTAGE HEAT SHRINKABLE JOINTS				
TOLERANCES UNLESS OTHERWISE SPECIFIED:		PRODUCT SPEC	-				
0 PLC ± - 1 PLC ± - 2 PLC ± - 3 PLC ± - 4 PLC ± - ANGLES ± -		APPLICATION SPEC	-				
MATERIAL SEE NOTE		FINISH -	WEIGHT -	SIZE A3	CAGE CODE 00779	DRAWING NO C-EPD-202-312002-01	RESTRICTED TO -
CUSTOMER DRAWING			SCALE NTS	SHEET 1 OF 1	REV 1		