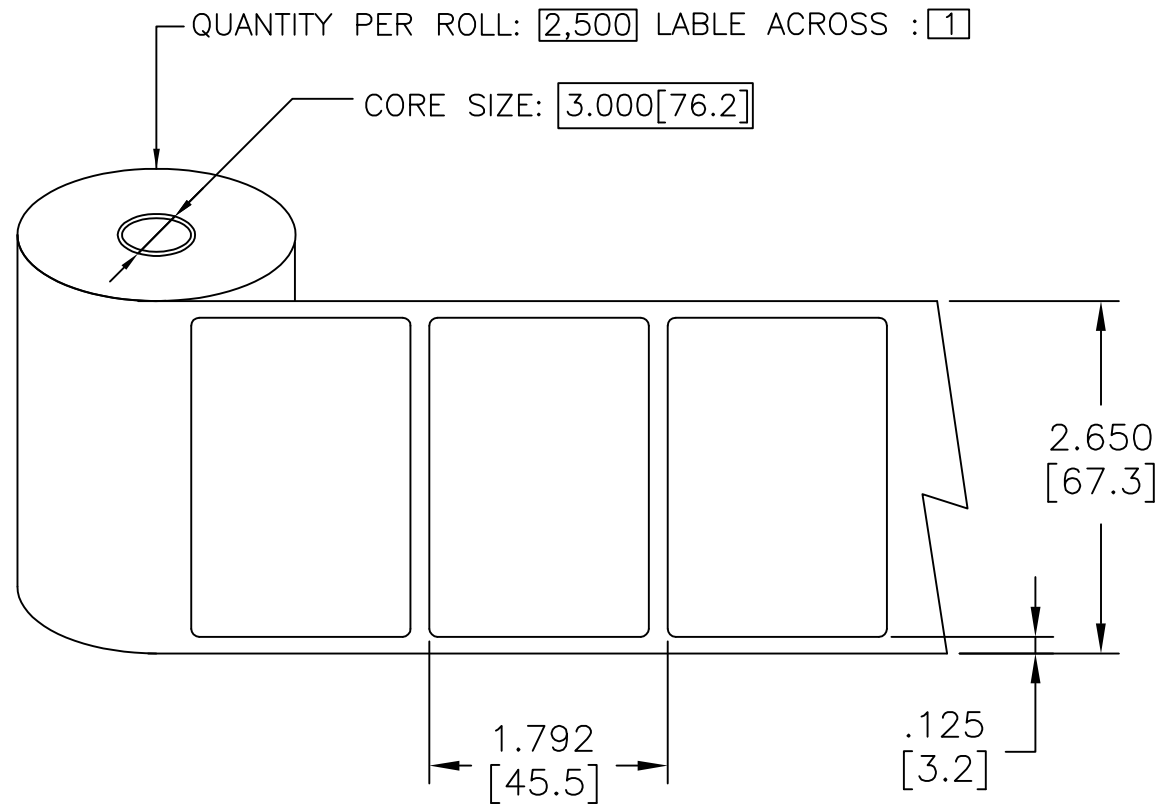


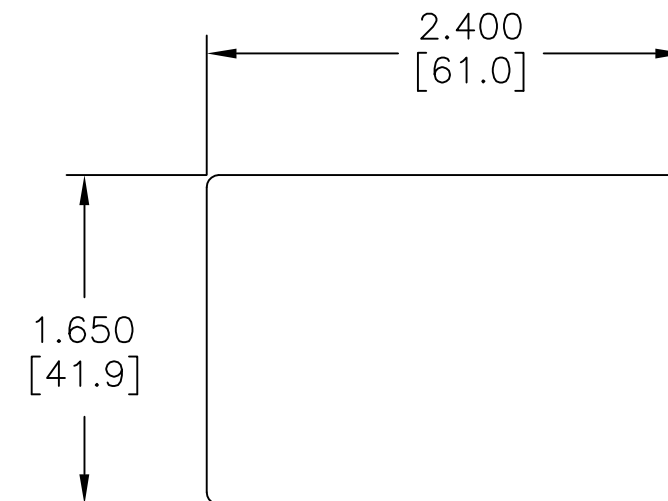
THIS DRAWING IS UNPUBLISHED. RELEASED FOR PUBLICATION. ALL RIGHTS RESERVED.

REVISIONS				
P	LTR	DESCRIPTION	DATE	APVD
	A1	NEW DRAWING	09DEC2016	GK KM

### PRESENTATION

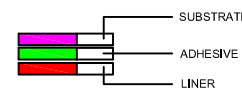


### PRINTING/DIMENSION



RADIUS = 4 x .060 inch [4 x 1.5 mm]

### LABEL BUILD DETAIL



All dimensions in Inches [mm]

MATERIAL	THERMAL TRANSFER PRINTABLE PAPER
ADHESIVE TYPE	ACRYLIC PERMANENT
NOM THICKNESS	0.07 MM [.003 INCH]
BACKGROUND COLOURS	WHITE
WOUND	OUTSIDE WOUND

THIS DRAWING IS A CONTROLLED DOCUMENT.		DWN GOPALAKRISHNA HV 09DEC2016																																																
DIMENSIONS: INCHES[mm]		CHK K. MUNZ 09DEC2016																																																
TOLERANCES UNLESS OTHERWISE SPECIFIED:		APVD K. MUNZ 09DEC2016	NAME EP ECONOMY PAPER LABEL																																															
<table border="1"> <thead> <tr> <th>TOLERANCES</th> <th>INCH[mm]</th> </tr> </thead> <tbody> <tr> <td>LABEL HEIGHT:</td> <td>±.018 [0.3]</td> </tr> <tr> <td>LABEL WIDTH:</td> <td>±.018 [0.3]</td> </tr> <tr> <td>WEB WIDTH:</td> <td>±.039 [1.0]</td> </tr> <tr> <td>VERTICAL REPEAT:</td> <td>±.039 [1.0]</td> </tr> <tr> <td>HORIZONTAL REPEAT:</td> <td>±.039 [1.0]</td> </tr> <tr> <td>PRINT POSITIONING:</td> <td>±.039 [1.0]</td> </tr> <tr> <td colspan="2">*NON ACCUMULATING</td> </tr> </tbody> </table>		TOLERANCES	INCH[mm]	LABEL HEIGHT:	±.018 [0.3]	LABEL WIDTH:	±.018 [0.3]	WEB WIDTH:	±.039 [1.0]	VERTICAL REPEAT:	±.039 [1.0]	HORIZONTAL REPEAT:	±.039 [1.0]	PRINT POSITIONING:	±.039 [1.0]	*NON ACCUMULATING		<table border="1"> <thead> <tr> <th>TOLERANCES UNLESS OTHERWISE SPECIFIED:</th> <th></th> </tr> </thead> <tbody> <tr> <td>0 PLC</td> <td>± -</td> </tr> <tr> <td>1 PLC</td> <td>± -</td> </tr> <tr> <td>2 PLC</td> <td>± -</td> </tr> <tr> <td>3 PLC</td> <td>± -</td> </tr> <tr> <td>4 PLC</td> <td>± -</td> </tr> <tr> <td>ANGLES</td> <td>± -</td> </tr> <tr> <td>FINISH</td> <td>-</td> </tr> </tbody> </table>	TOLERANCES UNLESS OTHERWISE SPECIFIED:		0 PLC	± -	1 PLC	± -	2 PLC	± -	3 PLC	± -	4 PLC	± -	ANGLES	± -	FINISH	-	<table border="1"> <thead> <tr> <th>PRODUCT SPEC</th> <th>APPLICATION SPEC</th> <th>WEIGHT</th> </tr> </thead> <tbody> <tr> <td>-</td> <td>-</td> <td>-</td> </tr> </tbody> </table>	PRODUCT SPEC	APPLICATION SPEC	WEIGHT	-	-	-	<table border="1"> <thead> <tr> <th>SIZE</th> <th>CAGE CODE</th> <th>DRAWING NO</th> <th>RESTRICTED TO</th> </tr> </thead> <tbody> <tr> <td>A2</td> <td>00779</td> <td>EP-610419-2.5-9</td> <td>-</td> </tr> </tbody> </table>	SIZE	CAGE CODE	DRAWING NO	RESTRICTED TO	A2	00779	EP-610419-2.5-9	-
TOLERANCES	INCH[mm]																																																	
LABEL HEIGHT:	±.018 [0.3]																																																	
LABEL WIDTH:	±.018 [0.3]																																																	
WEB WIDTH:	±.039 [1.0]																																																	
VERTICAL REPEAT:	±.039 [1.0]																																																	
HORIZONTAL REPEAT:	±.039 [1.0]																																																	
PRINT POSITIONING:	±.039 [1.0]																																																	
*NON ACCUMULATING																																																		
TOLERANCES UNLESS OTHERWISE SPECIFIED:																																																		
0 PLC	± -																																																	
1 PLC	± -																																																	
2 PLC	± -																																																	
3 PLC	± -																																																	
4 PLC	± -																																																	
ANGLES	± -																																																	
FINISH	-																																																	
PRODUCT SPEC	APPLICATION SPEC	WEIGHT																																																
-	-	-																																																
SIZE	CAGE CODE	DRAWING NO	RESTRICTED TO																																															
A2	00779	EP-610419-2.5-9	-																																															
CUSTOMER DRAWING			SCALE NTS	SHEET 1 of 1																																														
			REV A1																																															