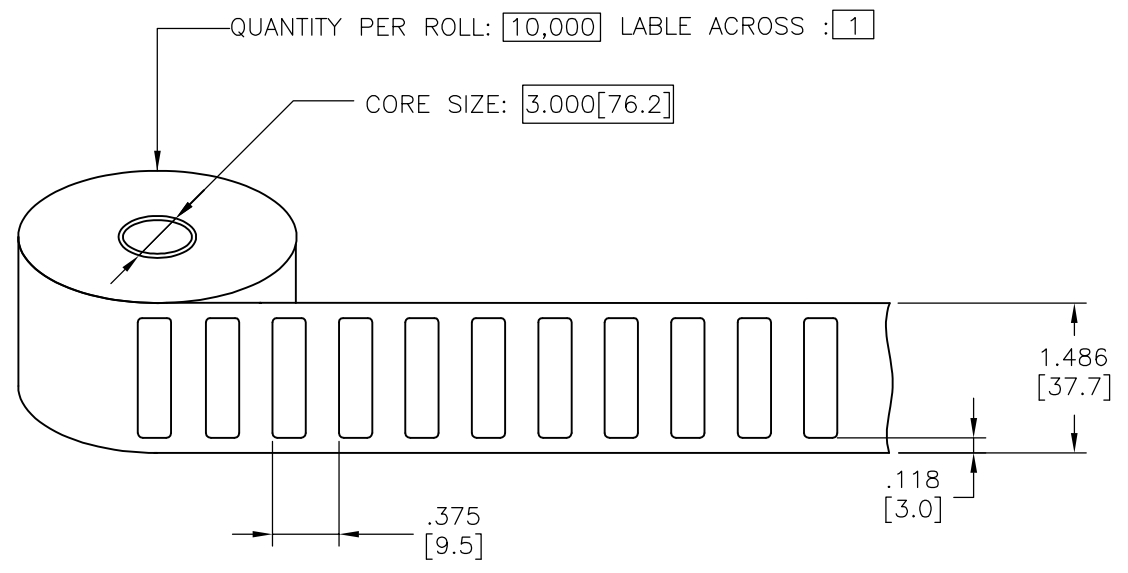


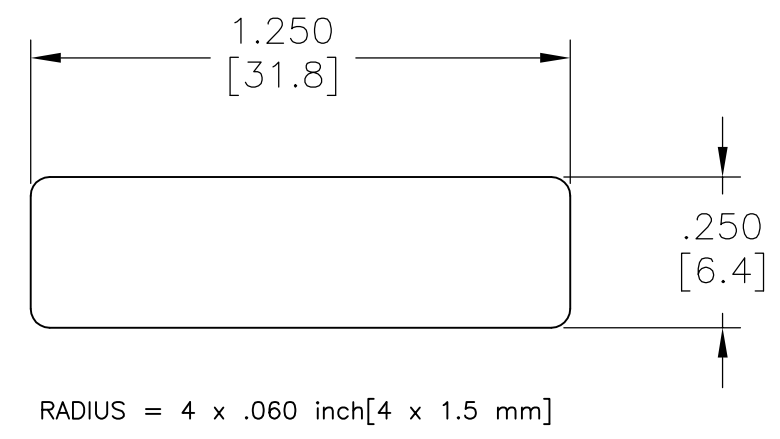
THIS DRAWING IS UNPUBLISHED. RELEASED FOR PUBLICATION
 © COPYRIGHT - By - ALL RIGHTS RESERVED.

REVISIONS					
P	LTR	DESCRIPTION	DATE	DWN	APVD
	B	NEW DRAWING FORMAT	07DEC2016	GK	KM

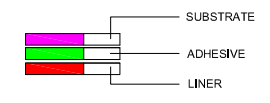
PRESENTATION



PRINTING/DIMENSION



LABEL BUILD DETAIL



All dimensions in Inches [mm]

MATERIAL	THERMAL TRANSFER PRINTABLE PAPER
ADHESIVE TYPE	ACRYLIC PERMANENT
NOM THICKNESS	0.07 MM [.003 INCH]
BACKGROUND COLOURS	WHITE
WOUND	OUTSIDE WOUND

TOLERANCES INCH[mm] LABEL HEIGHT: ±.018 [0.3] LABEL WIDTH: ±.018 [0.3] WEB WIDTH: ±.039 [1.0] VERTICAL REPEAT: ±.039 [1.0] HORIZONTAL REPEAT: ±.039 [1.0] PRINT POSITIONING: ±.039 [1.0] *NON ACCUMULATING	THIS DRAWING IS A CONTROLLED DOCUMENT. DIMENSIONS: INCHES[mm]	TOLERANCES UNLESS OTHERWISE SPECIFIED: 0 PLC ± - 1 PLC ± - 2 PLC ± - 3 PLC ± - 4 PLC ± - ANGLES ± -	DWN 07DEC2016 GOPALAKRISHNA HV CHK 07DEC2016 K. MUNZ APVD 07DEC2016 K. MUNZ PRODUCT SPEC APPLICATION SPEC WEIGHT CUSTOMER DRAWING	TE Connectivity EP ECONOMY PAPER LABEL SIZE A2 CAGE CODE 00779 DRAWING NO C-EP-318064-10-9 RESTRICTED TO SCALE NTS SHEET 1 OF 1 REV B
---	--	---	--	--