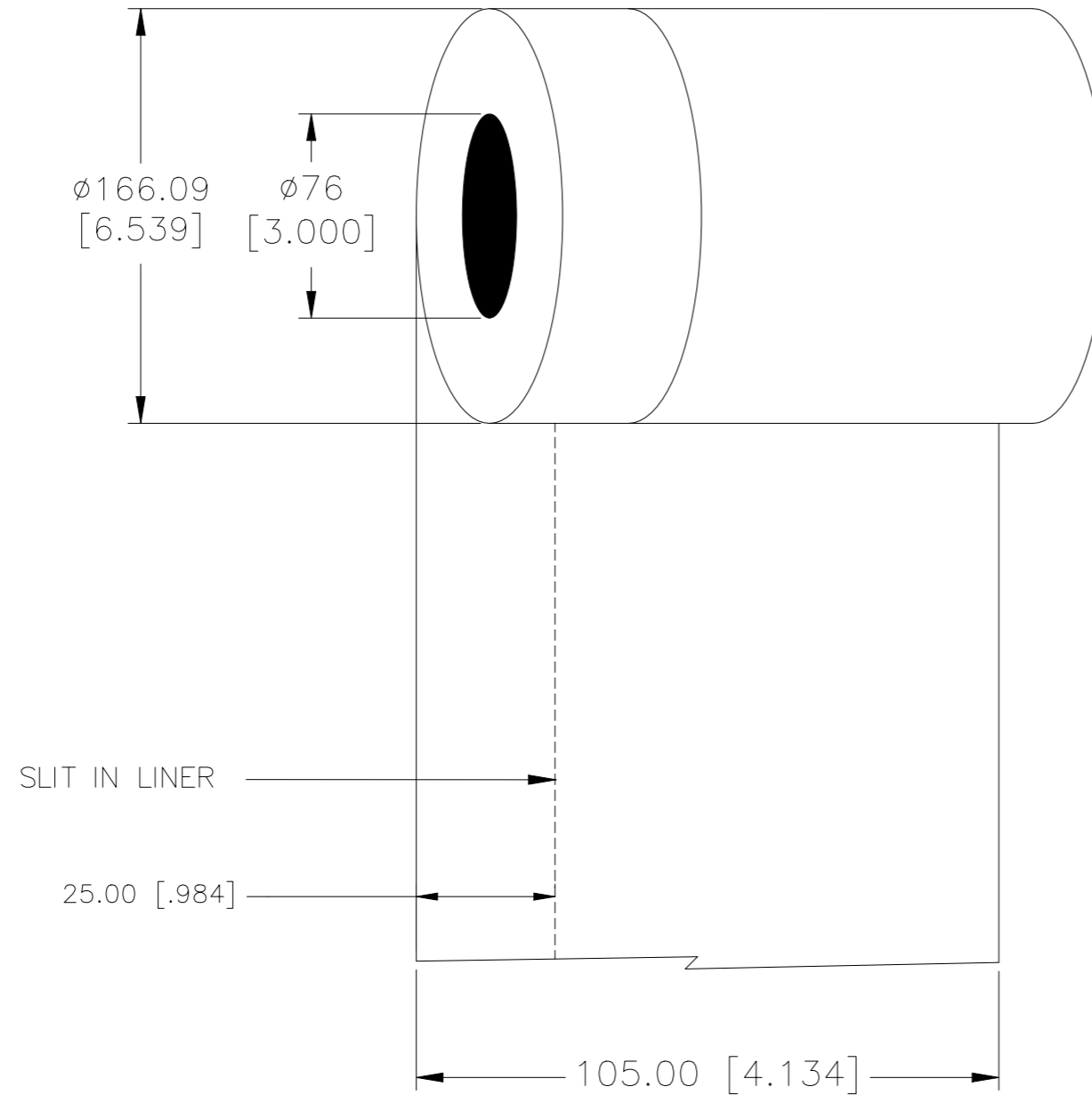


P	LTR	DESCRIPTION	DATE	DWN	APVD
	A1	ECR-23-178871	19JUN2023	MN	AK

# PRESENTATION



All dimensions in mm [Inch]

**TE PN: 5-1768019-2**

**INSIDE WOUND  
LABEL ACROSS: 1  
PER ROLL QTY: 125m**

MATERIAL DESCRIPTION	WHITE POLYESTER
ADHESIVE TYPE	PERMANENT ACRYLIC
LINER	GLASSINE PAPER

TOLERANCES mm [INCH]	
LABEL HEIGHT:	±0.3 [.012]
LABEL WIDTH:	±0.3 [.012]
WEB WIDTH:	±0.8 [.031]
VERTICAL REPEAT:	±0.8 [.031]*
HORIZONTAL REPEAT:	±0.8 [.031]*
PRINT POSITIONING:	±0.8 [.031]*
LEFT MARGIN:	±0.4 [.016]
QUANTITY:	-0 % +2 %
*NON ACCUMULATING	

THIS DRAWING IS A CONTROLLED DOCUMENT.	
DIMENSIONS: mm [INCHES]	TOLERANCES UNLESS OTHERWISE SPECIFIED:
	0 PLC ± -
	1 PLC ± -
	2 PLC ± -
	3 PLC ± -
	4 PLC ± -
MATERIAL SEE TABLE	ANGLES ± -
	FINISH -

DWN	07FEB2022
GOPALAKRISHNA HV	
CHK	07FEB2022
MIKE NUTTALL	
APVD	07FEB2022
MIKE NUTTALL	
PRODUCT SPEC	
TTDS-177	
APPLICATION SPEC	
WEIGHT	1231g

TE Connectivity		NAME	
		EET CONTINUOUS LABEL 105mm x 125m	
SIZE	CAGE CODE	DRAWING NO	RESTRICTED TO
A3	C2290	Ⓒ-EET-M0105P-9	-
CUSTOMER DRAWING		SCALE	SHEET
		NTS	1 OF 1
		REV	A1