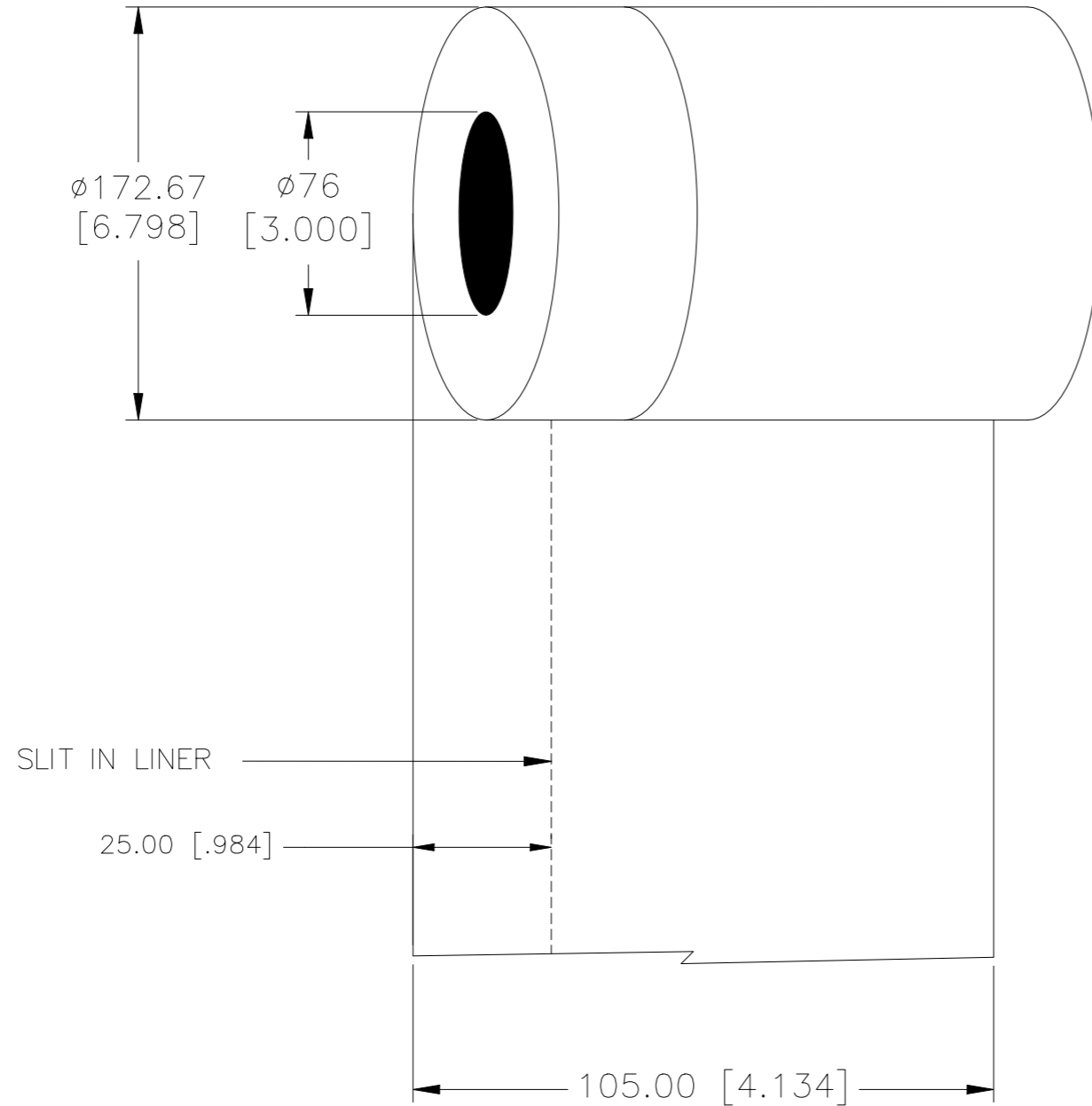


P	LTR	DESCRIPTION	DATE	DWN	APVD
	A1	ECR-23-178871	19JUN2023	MN	AK

PRESENTATION



All dimensions in mm [Inch]

TE PN: 5-1768019-1

**INSIDE WOUND
LABEL ACROSS: 1
PER ROLL QTY: 125m**

MATERIAL DESCRIPTION	SILVER POLYESTER
ADHESIVE TYPE	PERMANENT ACRYLIC
LINER	GLASSINE PAPER

TOLERANCES mm [INCH]	
LABEL HEIGHT:	± 0.3 [.012]
LABEL WIDTH:	± 0.3 [.012]
WEB WIDTH:	± 0.8 [.031]
VERTICAL REPEAT:	± 0.8 [.031]*
HORIZONTAL REPEAT:	± 0.8 [.031]*
PRINT POSITIONING:	± 0.8 [.031]*
LEFT MARGIN:	± 0.4 [.016]
QUANTITY:	-0 % +2 %
*NON ACCUMULATING	

THIS DRAWING IS A CONTROLLED DOCUMENT.

DIMENSIONS: mm [INCHES]	TOLERANCES UNLESS OTHERWISE SPECIFIED:
	0 PLC $\pm -$
	1 PLC $\pm -$
	2 PLC $\pm -$
	3 PLC $\pm -$
	4 PLC $\pm -$
MATERIAL SEE TABLE	ANGLES $\pm -$
	FINISH -

DWN	07FEB2022
CHK	07FEB2022
APVD	07FEB2022
NAME	MIKE NUTTALL
PRODUCT SPEC	TTDS-175
APPLICATION SPEC	-
WEIGHT	1276g

TE Connectivity		EET CONTINUOUS LABEL 105mm x 125m	
		SIZE	A3
CAGE CODE	C2290	DRAWING NO	G-EET-M0105P-8A
RESTRICTED TO	-		
CUSTOMER DRAWING	SCALE	NTS	SHEET 1 OF 1
REV	A1		