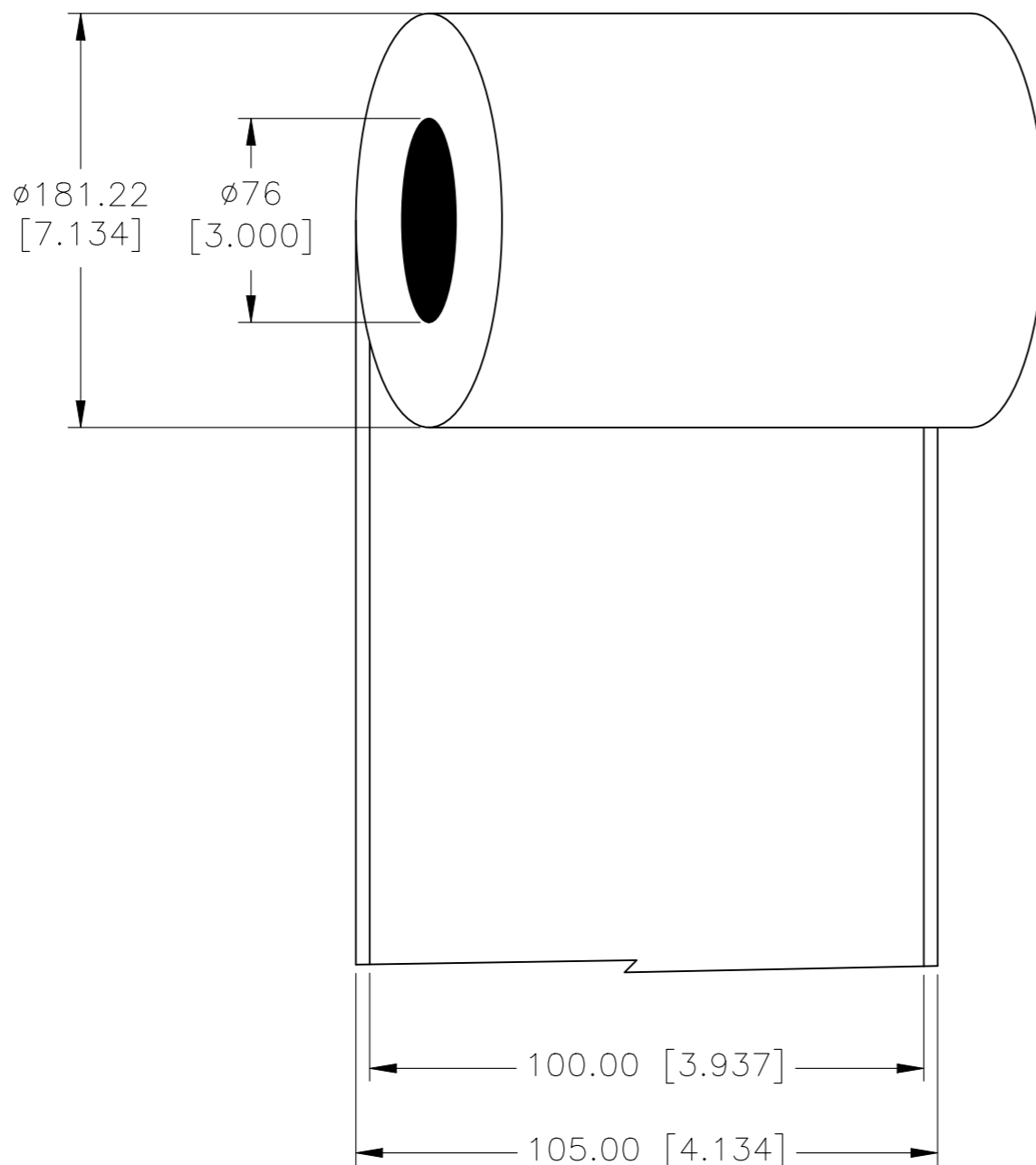


REVISIONS

P	LTR	DESCRIPTION	DATE	DWN	APVD
	A	INITIAL RELEASE	11FEB2022	GK	MN

PRESENTATION



All dimensions in mm [Inch]

TE PN: 4-1768019-8

**INSIDE WOUND
LABEL ACROSS: 1
PER ROLL QTY: 125m**

MATERIAL DESCRIPTION	SILVER SOFT PVC
ADHESIVE TYPE	PERMANENT ACRYLIC
LINER	GLASSINE PAPER

TOLERANCES mm [INCH]	
LABEL HEIGHT:	±0.3 [.012]
LABEL WIDTH:	±0.3 [.012]
WEB WIDTH:	±0.8 [.031]
VERTICAL REPEAT:	±0.8 [.031]*
HORIZONTAL REPEAT:	±0.8 [.031]*
PRINT POSITIONING:	±0.8 [.031]*
LEFT MARGIN:	±0.4 [.016]
QUANTITY:	-0 % +2 %
*NON ACCUMULATING	

THIS DRAWING IS A CONTROLLED DOCUMENT.

DIMENSIONS:	mm [INCHES]
MATERIAL	SEE TABLE

TOLERANCES UNLESS OTHERWISE SPECIFIED:	
0 PLC	± -
1 PLC	± -
2 PLC	± -
3 PLC	± -
4 PLC	± -
ANGLES	± -
FINISH	-

DWN	11FEB2022
CHK	11FEB2022
APVD	11FEB2022
PRODUCT SPEC	TTDS-206
APPLICATION SPEC	-
WEIGHT	1692g

		TE Connectivity	
NAME			
EET CONTINUOUS LABEL 100mm x 125m			
SIZE	CAGE CODE	DRAWING NO	RESTRICTED TO
A3	C2290	EET-M0100V-8A	-
CUSTOMER DRAWING		SCALE	SHEET
		NTS	1 OF 1
		REV	A