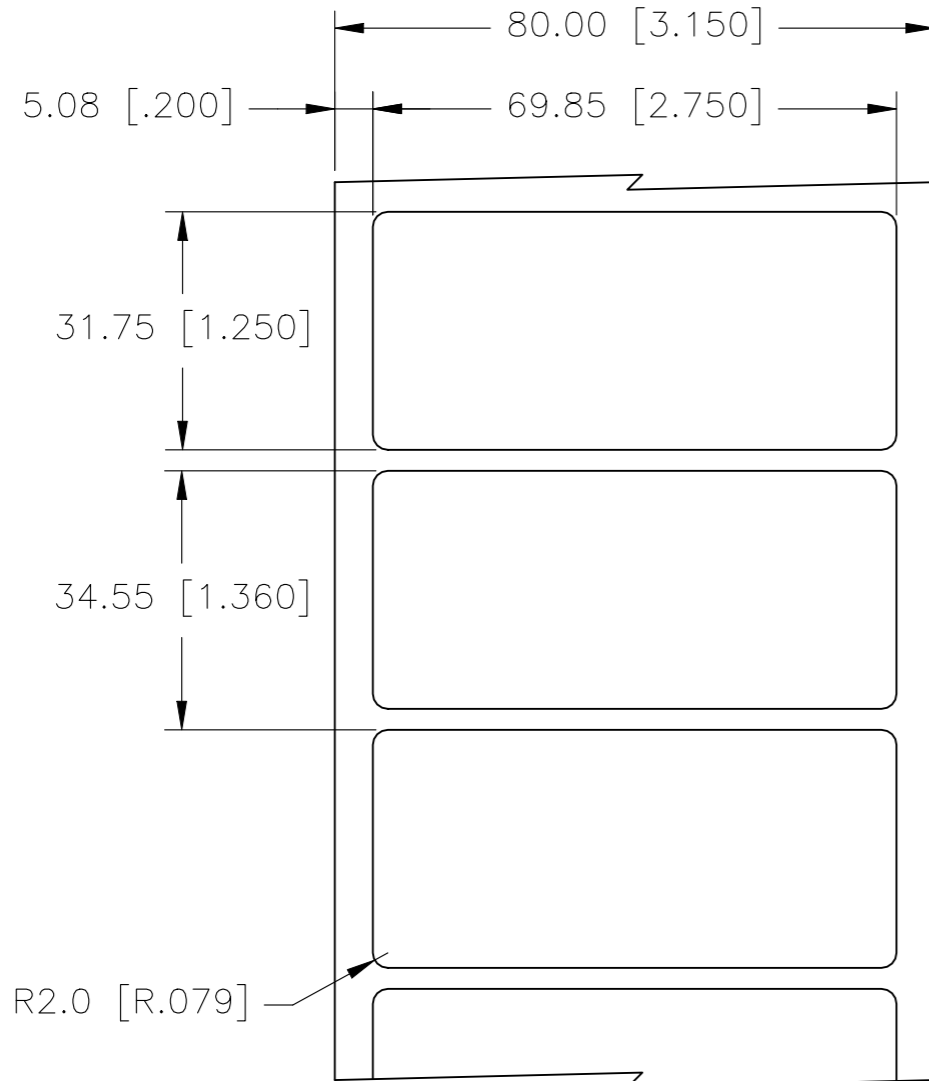
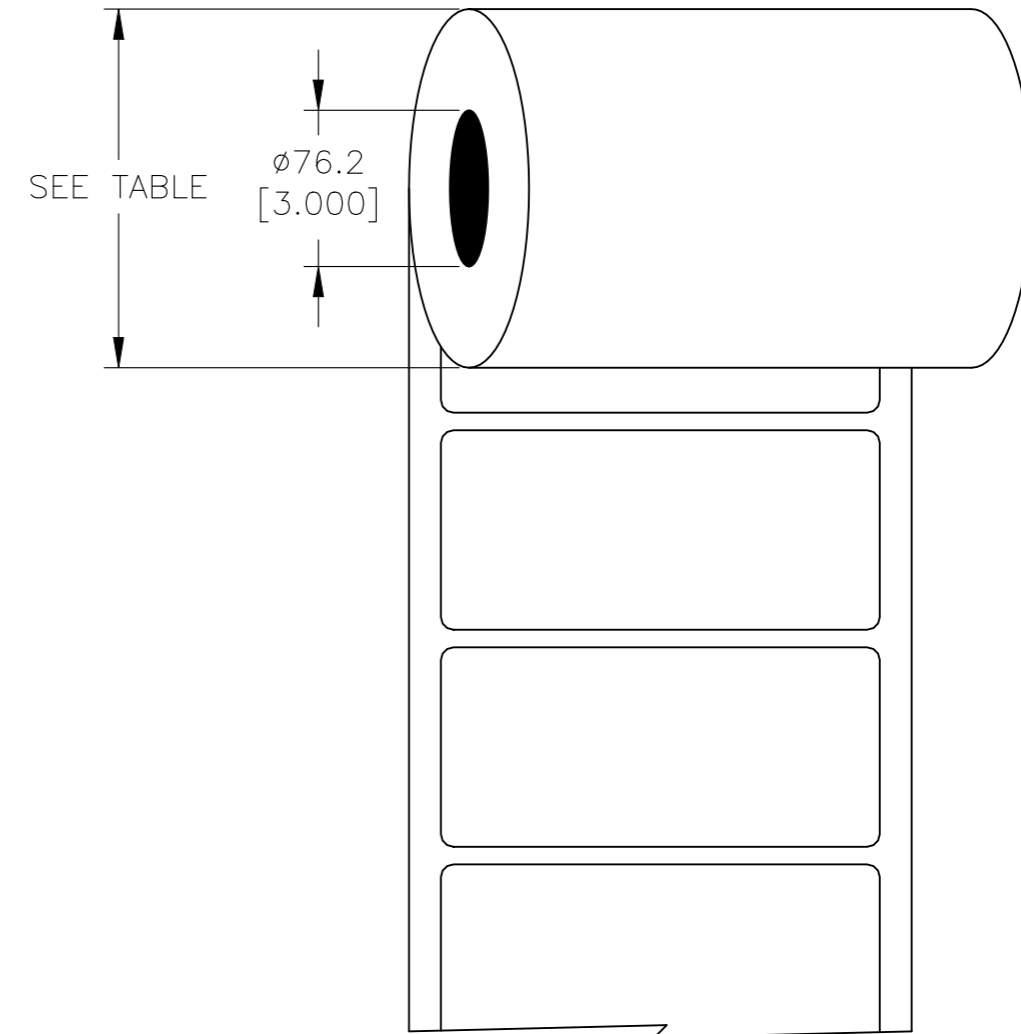


P	LTR	DESCRIPTION	DATE	DWN	APVD
	B	ECR-20-017666	29DEC2020	GK	MN

LABEL AND LINER DESIGN



PRESENTATION



DESCRIPTION	TEPN	MATERIAL DESCRIPTION	TTDS	WEIGHT (g)	ROLL DIAMETER (mm) ± 10	ROLL DIAMETER (Inch) ± 0.393
EET-3270P-4	8-1768018-9	YELLOW POLYESTER	TTDS-174	0.271	161.02	6.34
EET-3270P-8A	9-1768018-0	SILVER POLYESTER	TTDS-175	0.216	161.02	6.34
EET-3270P-9	9-1768018-1	WHITE POLYESTER	TTDS-177	0.208	155.18	6.11

**INSIDE WOUND
LABEL ACROSS: 1
PER ROLL QTY: 3000**

ADHESIVE TYPE	PERMANENT
LINER	GLASSINE PAPER

TOLERANCES mm [INCH]	
LABEL HEIGHT:	±0.3 [.012]
LABEL WIDTH:	±0.3 [.012]
WEB WIDTH:	±0.8 [.031]
VERTICAL REPEAT:	±0.8 [.031]*
HORIZONTAL REPEAT:	±0.8 [.031]*
PRINT POSITIONING:	±0.8 [.031]*
LEFT MARGIN:	±0.4 [.016]
QUANTITY:	-0 % +2 %
*NON ACCUMULATING	

THIS DRAWING IS A CONTROLLED DOCUMENT.

DIMENSIONS: mm [INCHES]	TOLERANCES UNLESS OTHERWISE SPECIFIED: 0 PLC ± - 1 PLC ± - 2 PLC ± - 3 PLC ± - 4 PLC ± - ANGLES ± -
MATERIAL SEE TABLE	FINISH -

DWN GOPALAKRISHNA HV 29DEC2020	NAME EET LABELS 31.75mm x 69.85mm
CHK MIKE NUTTALL 29DEC2020	
APVD MIKE NUTTALL 29DEC2020	PRODUCT SPEC -
APPLICATION SPEC -	RESTRICTED TO -
WEIGHT SEE TABLE	SIZE A3
CUSTOMER DRAWING	CAGE CODE C2290
	DRAWING NO EET-3270
	SCALE NTS
	SHEET 1 OF 1
	REV B

