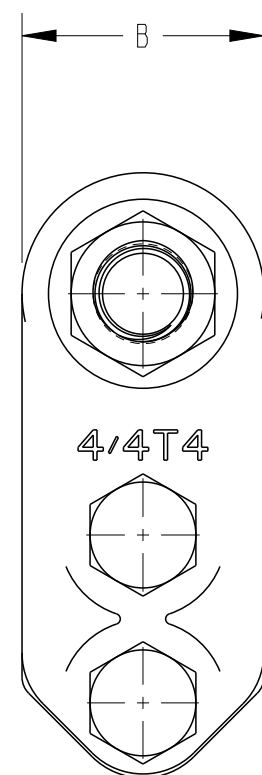
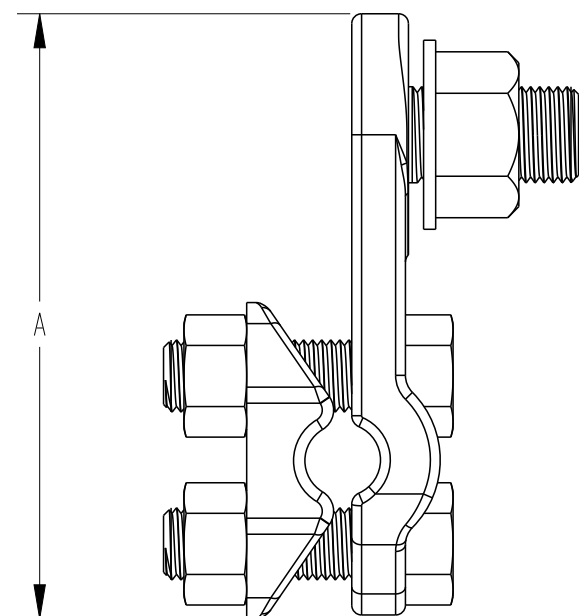


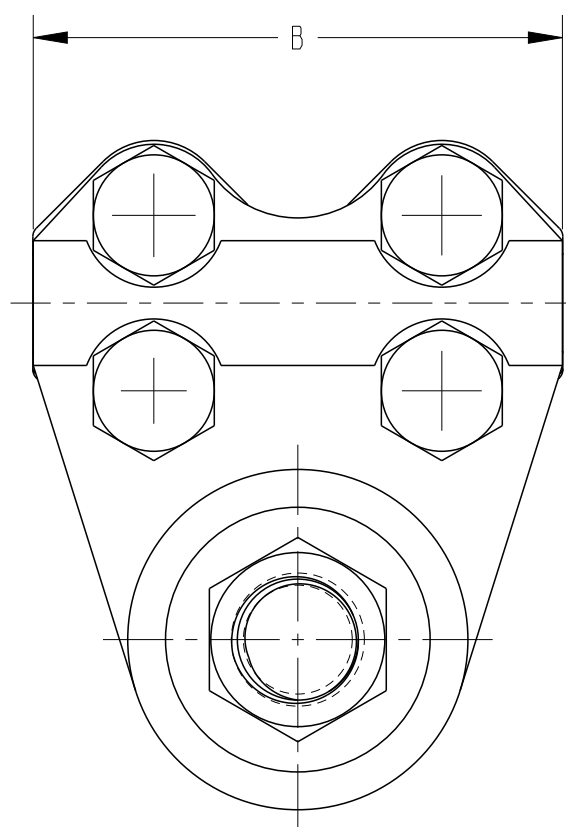
REVISIONS

P	LTR	DESCRIPTION	DATE	DWN	APVD
	A	INITIAL RELEASE	25NOV2020	AS	MF

E00001136



BTC50-70



BTC70-95

TCPN	CATALOGUE NUMBER	MAIN CABLE RANGE (mm <sup>2</sup> )		DIMENSIONS (mm)	
		MIN	MAX	A	B
373544-000	BTC50-70	50	70	79.5	32
428386-000	BTC70-95	70	95	88.5	70

THIS DRAWING IS A CONTROLLED DOCUMENT.

DIMENSIONS: mm	TOLERANCES UNLESS OTHERWISE SPECIFIED:
	0 PLC ± 1 PLC ± 2 PLC ± 3 PLC ± 4 PLC ± ANGLES ±
MATERIAL	FINISH
-	-

DWN	A. SAMAL	25NOV2020
CHK	S. CHAD	25NOV2020
APVD	M. FRATER	25NOV2020
PRODUCT SPEC	-	
APPLICATION SPEC	-	
WEIGHT	-	



NAME COPPER BOLTED TEE CLAMP

SIZE	CAGE CODE	DRAWING NO	RESTRICTED TO
A3	00779	©-E00001136	-

CUSTOMER DRAWING SCALE NTS SHEET 1 OF 1 REV A