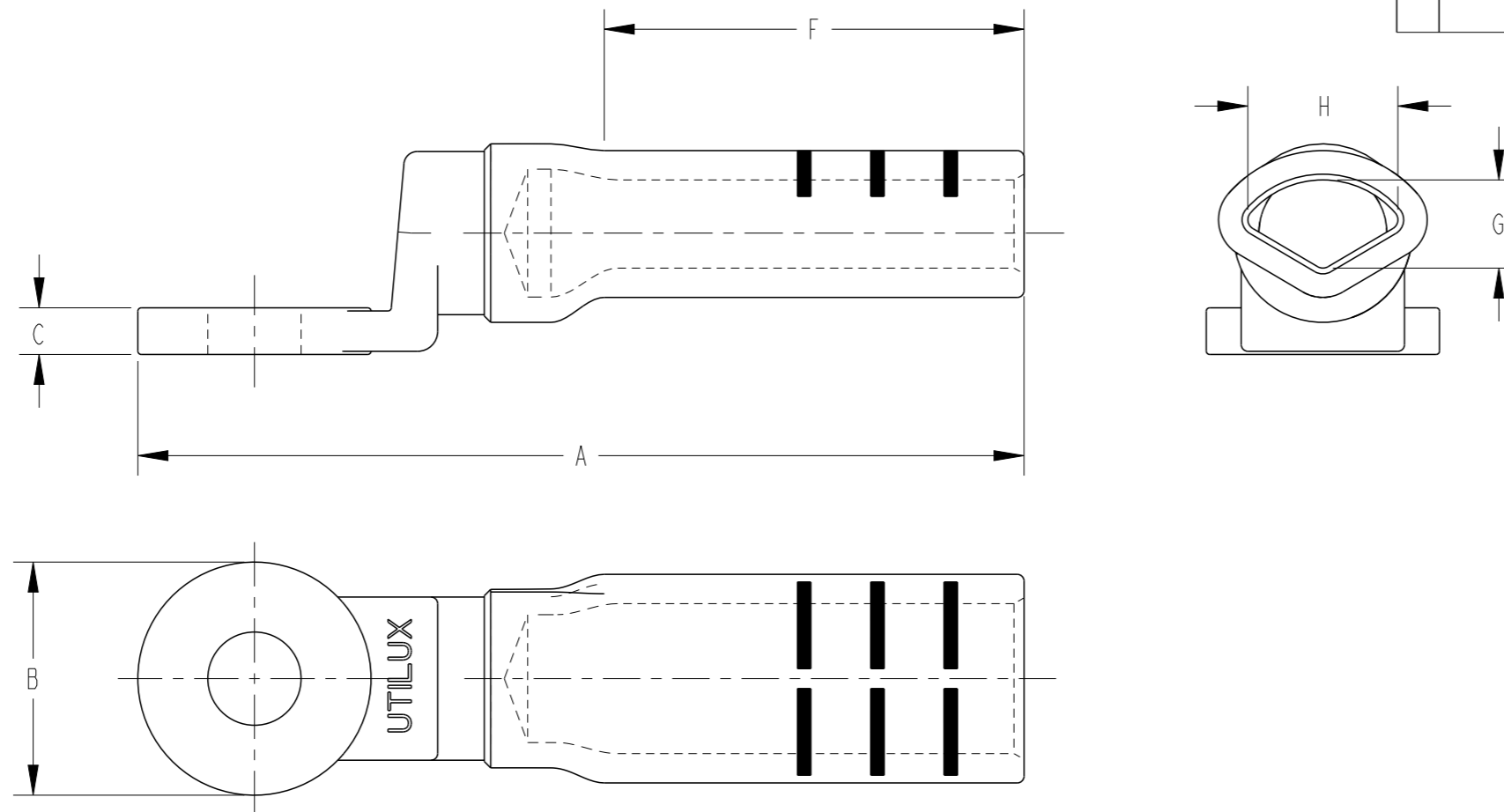


REVISIONS

P	LTR	DESCRIPTION	DATE	DWN	APVD
	A	INITIAL RELEASE	01DEC2020	AS	MF

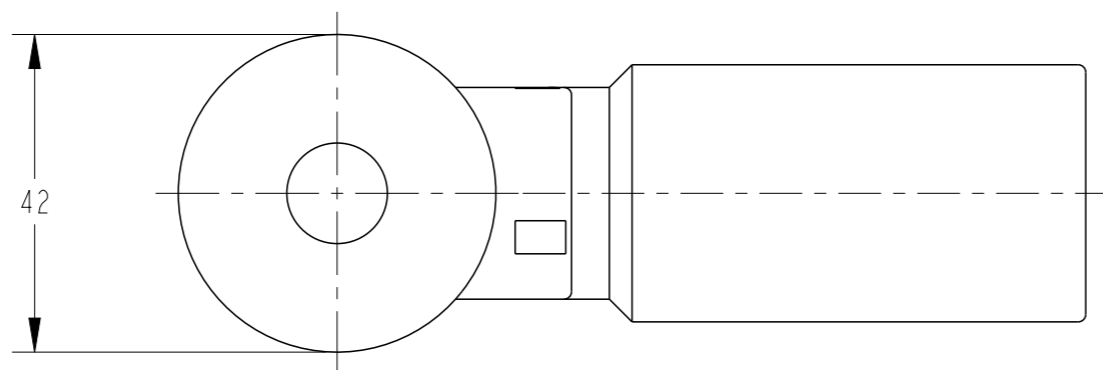
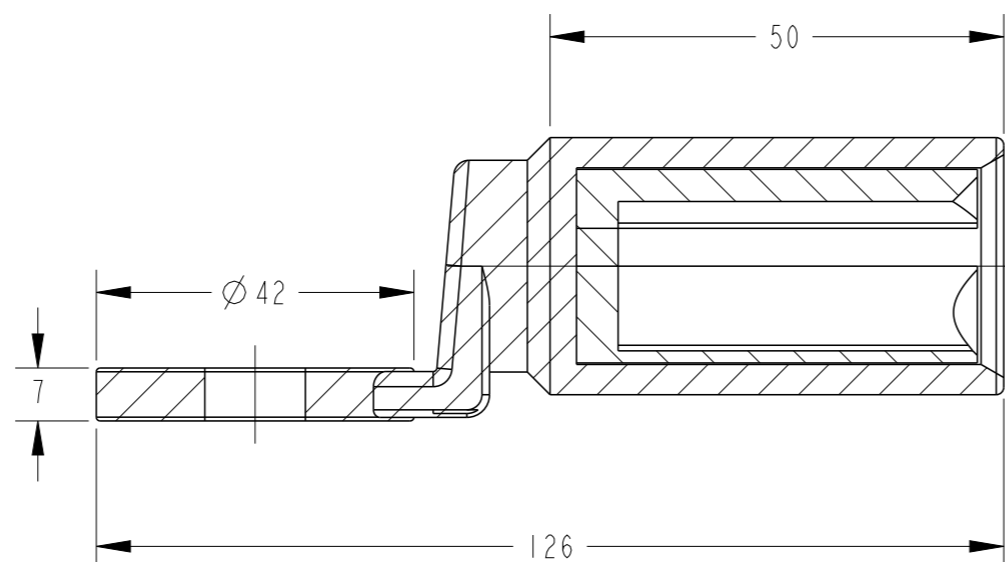
E00001132



TCPN	CATALOGUE NUMBER	CONDUCTOR AREA (mm <sup>2</sup> )	STUD SIZE	DIMENSIONS (mm)						38 DIES	
				A	B	C	F	G	H	NEST	INDENT
979468-000	BGS31185M12	185	M12	128	35	7	59	13.2	22.5	12	18
386914-000	BGS41185M12	185	M12	128	35	7	59	15.4	21.6	14	18
EB8456-000	BGS31240M12	240	M12	133	35	7	63	15.2	25.8	12	19
199930-000	BGS41240M16	240	M16	130	35	7	59	17.4	24	14	19

THIS DRAWING IS A CONTROLLED DOCUMENT.		DWN A. SAMAL	01DEC2020		
DIMENSIONS: mm		CHK S. CHAD	01DEC2020		
		APVD M. FRATER	01DEC2020		
TOLERANCES UNLESS OTHERWISE SPECIFIED:		PRODUCT SPEC		NAME BI-METAL ROTATING LUGS	
0 PLC ±		-		SIZE	
1 PLC ±		-		CAGE CODE	
2 PLC ±		-		DRAWING NO	
3 PLC ±		-		RESTRICTED TO	
4 PLC ±		-		A3 00779	
ANGLES ±		-		G-E00001132	
FINISH		-		SCALE	
-		-		NTS	
MATERIAL		-		SHEET 1 OF 2	
-		-		REV A	
-		-		CUSTOMER DRAWING	

P	LTR	DESCRIPTION	DATE	DWN	APVD
	-	SEE SHEET 1	-	-	-



TCPN	CATALOGUE NUMBER	CONDUCTOR AREA (mm <sup>2</sup> )	STUD SIZE
EB0642-000	BGS4HR240M12	240	M12

THIS DRAWING IS A CONTROLLED DOCUMENT.

DIMENSIONS:	TOLERANCES UNLESS OTHERWISE SPECIFIED:
mm	
	0 PLC ±
	1 PLC ±
	2 PLC ±
	3 PLC ±
	4 PLC ±
	ANGLES ±
MATERIAL	FINISH
-	-

DWN	A. SAMAL	01DEC2020
CHK	S. CHAD	01DEC2020
APVD	M. FRATER	01DEC2020
PRODUCT SPEC	-	
APPLICATION SPEC	-	
WEIGHT	-	
CUSTOMER DRAWING		



NAME				BI-METAL ROTATING LUGS	
SIZE	CAGE CODE	DRAWING NO	RESTRICTED TO		
A3	00779	©-E00001132	-		
SCALE		NTS	SHEET	2 OF 2	REV
					A