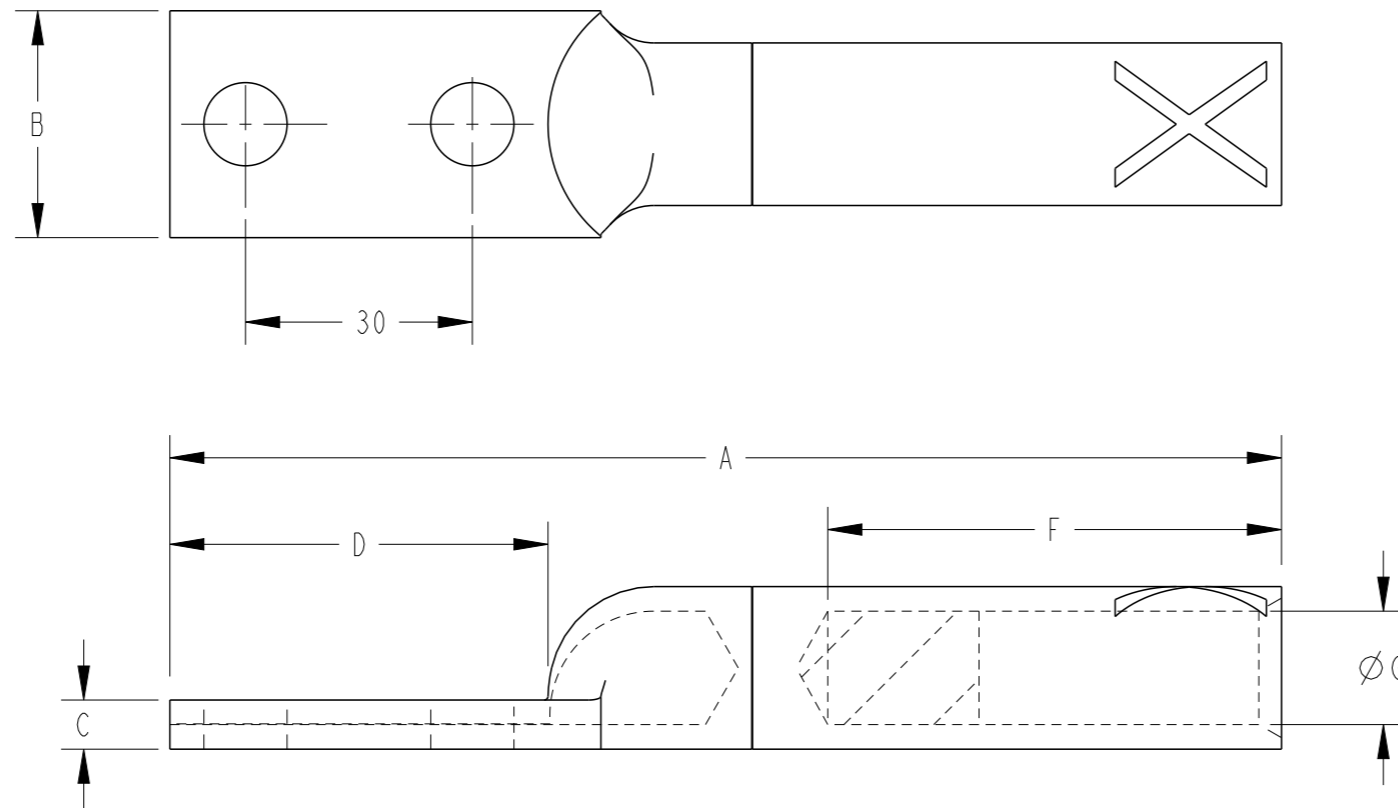


E00001129

REVISIONS

P	LTR	DESCRIPTION	DATE	DWN	APVD
	A	INITIAL RELEASE	25NOV2020	AS	MF

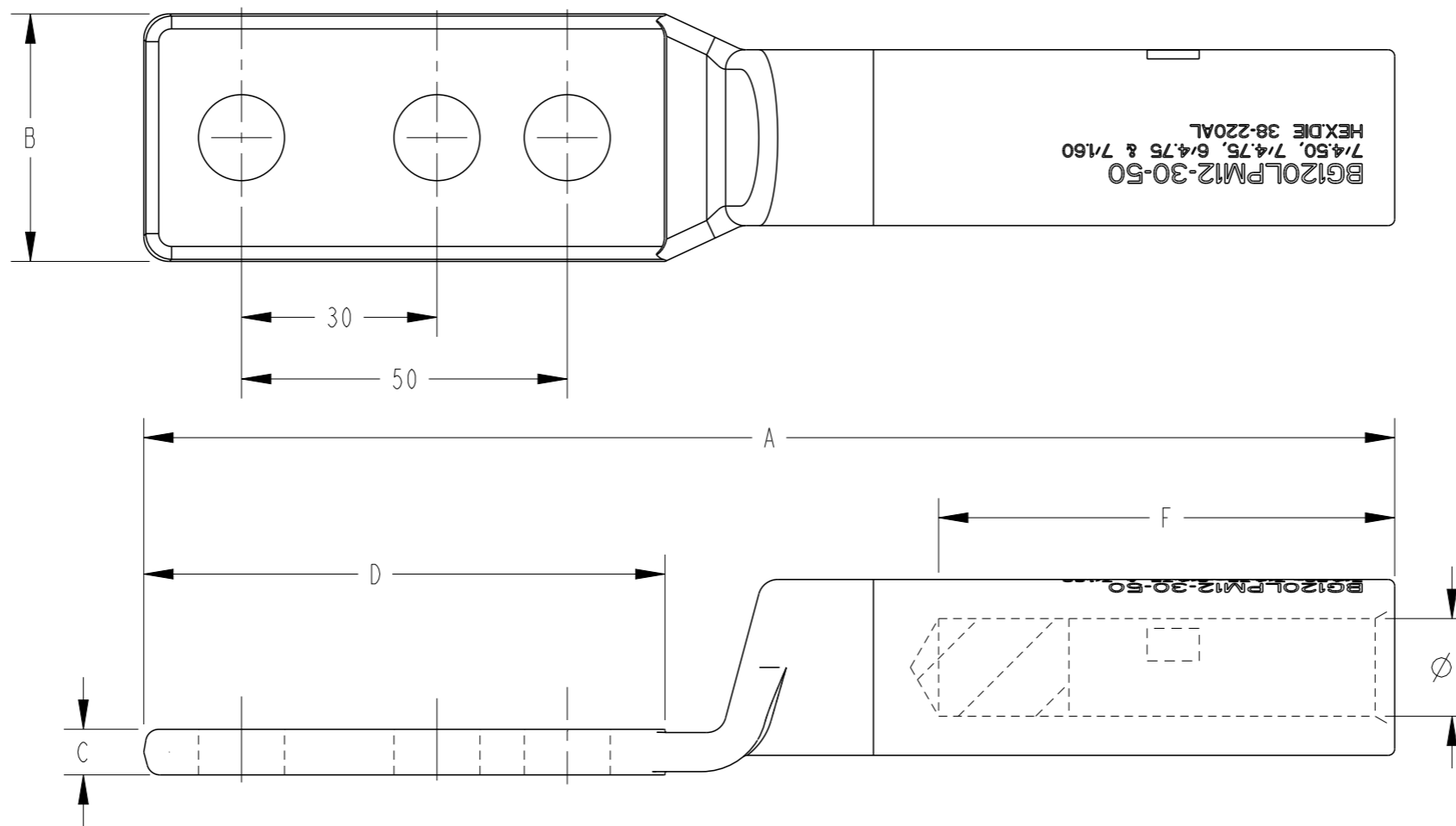


TCPN	CATALOGUE NUMBER	CONDUCTOR AREA (mm ²)	STUD SIZE	DIMENSIONS (mm)						CRIMPING DIE
				A	B	C	D	F	G	
E78728-000	BG35LPM10-30	35	M10	113	22	5	50	32	8.5	38-132AL
EB0645-000	BG80LPM10-30	80	M10	157	30	6.5	50	60	12.5	38-173AL, 40-172AL
EB0646-000	BG95LPM12-30	95	M12	157	30	6.5	50	60	13	38-173AL, 40-172AL
EB0648-000	BG120LPM10-30	120	M10	157	30	6.5	50	60	15	38-173AL, 40-172AL
EB0649-000	BG150LPM12-30	150	M12	160	38	7	50	60	16.5	38-220AL, 40-220AL



THIS DRAWING IS A CONTROLLED DOCUMENT.		DWN A.SAMAL 25NOV2020		
DIMENSIONS: mm		CHK S.CHAD 25NOV2020		
TOLERANCES UNLESS OTHERWISE SPECIFIED:		APVD M.FRATER 25NOV2020	NAME BI-METAL LONG PALM LUGS	
		PRODUCT SPEC -	RESTRICTED TO -	
MATERIAL -		FINISH -	APPLICATION SPEC -	SIZE A3
		WEIGHT -	CAGE CODE 00779	DRAWING NO E00001129
CUSTOMER DRAWING			SCALE NTS	SHEET 1 OF 3
			REV A	

REVISIONS

P	LTR	DESCRIPTION	DATE	DWN	APVD
-	-	SEE SHEET 1	-	-	-

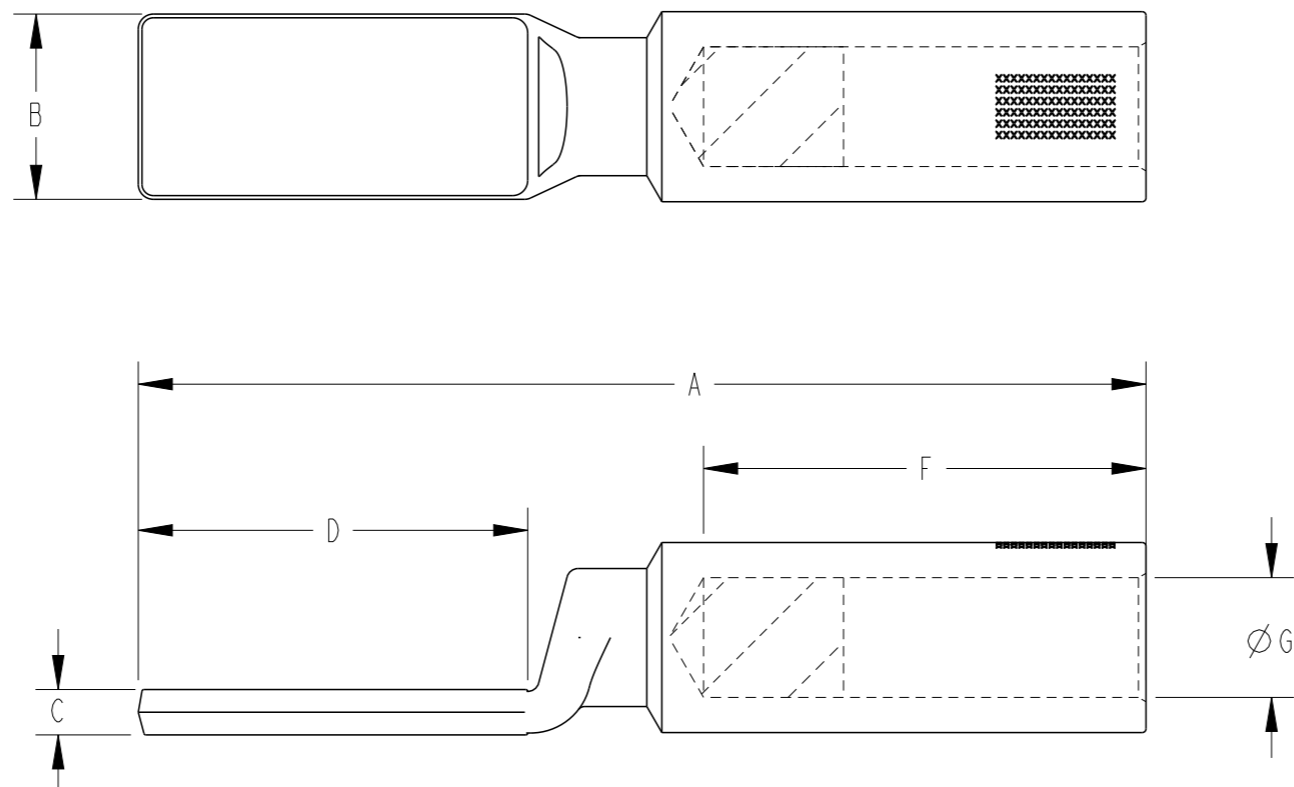


TCPN	CATALOGUE NUMBER	CONDUCTOR AREA (mm ²)	STUD SIZE	DIMENSIONS (mm)						CRIMPING DIE
				A	B	C	D	F	G	
D53152-000	BG120LPM12-30-50	120	M10	192	38	7	80	70	15	38-220AL
D18892-000	BG180LPM12-30-50	180	M12	192	38	7	80	70	19.3	38-220AL


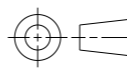
THIS DRAWING IS A CONTROLLED DOCUMENT.		DWN A. SAMAL 25NOV2020	 TE Connectivity	
DIMENSIONS: mm		CHK S. CHAD 25NOV2020		
TOLERANCES UNLESS OTHERWISE SPECIFIED:		APVD M. FRATER 25NOV2020	NAME BI-METAL LONG PALM LUGS	
 0 PLC ± 1 PLC ± 2 PLC ± 3 PLC ± 4 PLC ± ANGLES ±		PRODUCT SPEC -	RESTRICTED TO -	
MATERIAL -		FINISH -	APPLICATION SPEC -	SIZE A3
		WEIGHT -	CAGE CODE 00779	DRAWING NO E00001129
CUSTOMER DRAWING			SCALE NTS	SHEET 2 OF 3
			REV A	

REVISIONS

P	LTR	DESCRIPTION	DATE	DWN	APVD
	-	SEE SHEET 1	-	-	-



TCPN	CATALOGUE NUMBER	CONDUCTOR AREA (mm ²)	DIMENSIONS (mm)						CRIMPING DIE
			A	B	C	D	F	G	
328590-000	BG240LPMB	240	208	49	12	103	60	49	38-284AL, 40-283AL
031754-000	BG300LPMB	300	208	49	12	103	60	49	38-284AL, 40-283AL
A23628-000	BG400LPMB	400	220	49	12	103	70	49	40-390AL
858512-000	BG500LPMB	500	220	49	12	103	70	49	40-390AL
611202-000	BG630LPMB	630	220	49	12	103	70	49	40-432AL
943280-000	BG800LPMB	800	265	49	12	103	115	49	40-432AL

THIS DRAWING IS A CONTROLLED DOCUMENT.		DWN A. SAMAL 25NOV2020	 TE Connectivity	
DIMENSIONS: mm		CHK S. CHAD 25NOV2020		
TOLERANCES UNLESS OTHERWISE SPECIFIED:		APVD M. FRATER 25NOV2020	NAME BI-METAL LONG PALM LUGS	
 0 PLC ± 1 PLC ± 2 PLC ± 3 PLC ± 4 PLC ± ANGLES ±		PRODUCT SPEC -	RESTRICTED TO -	
MATERIAL -		FINISH -	APPLICATION SPEC -	SIZE A3
		WEIGHT -	CAGE CODE 00779	DRAWING NO E00001129
CUSTOMER DRAWING			SCALE NTS	SHEET 3 OF 3
			REV A	