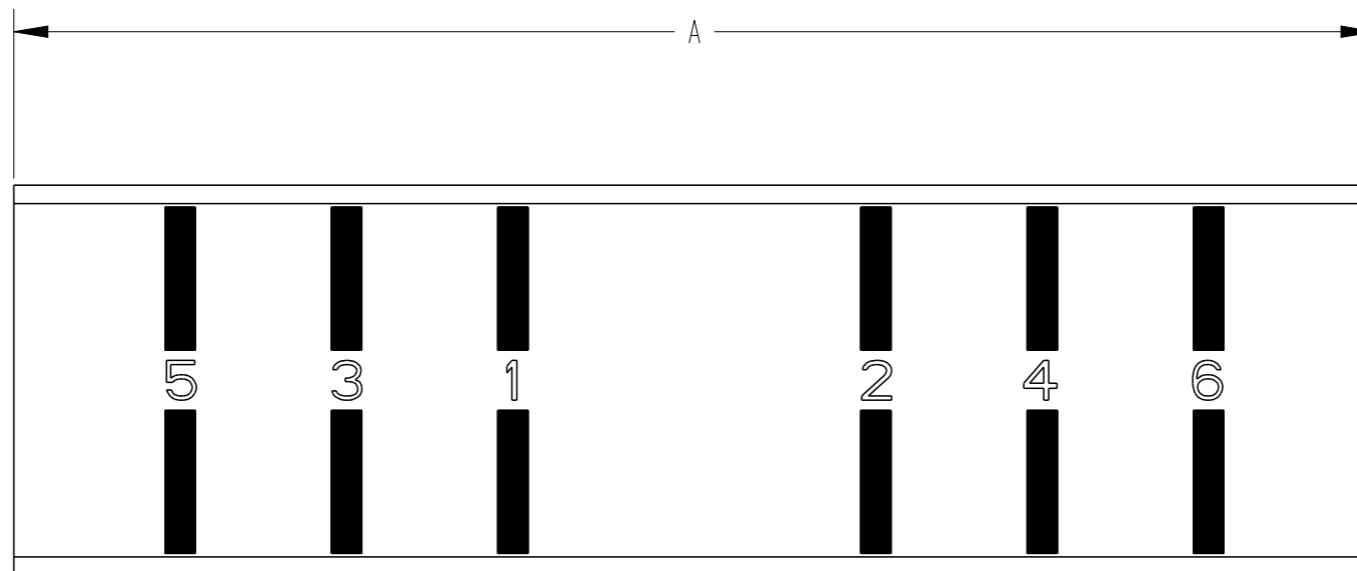


REVISIONS

P	LTR	DESCRIPTION	DATE	DWN	APVD
	A	INITIAL RELEASE	25NOV2020	AS	MF

E00001128

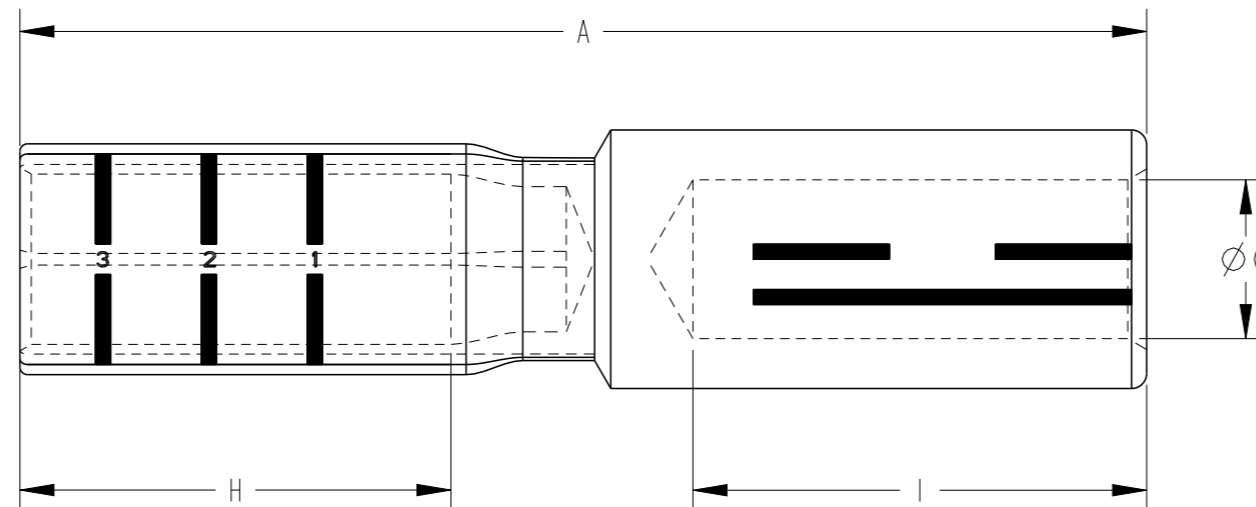


TCPN	CATALOGUE NUMBER	CONDUCTOR AREA (mm ²)	DIMENSIONS (mm)	TOOL NO.	NEST	INEDENT
			A			
221366-000	AKS31120	120	90	38A	12	16
615472-000	AKS31185	185	105	38A	12	18
072276-000	AKS31240	240	110	38A	12	19

THIS DRAWING IS A CONTROLLED DOCUMENT.		DWN A. SAMAL	25NOV2020		
DIMENSIONS: mm		CHK S. CHAD	25NOV2020		
TOLERANCES UNLESS OTHERWISE SPECIFIED:		APVD M. FRATER	25NOV2020	NAME ALUMINIUM LINKS	
		PRODUCT SPEC	-	RESTRICTED TO	
MATERIAL		APPLICATION SPEC	-	SIZE A3	CAGE CODE 00779
FINISH		WEIGHT	-	DRAWING NO G-E00001128	SCALE NTS
		CUSTOMER DRAWING		SHEET 1 OF 3	REV A

REVISIONS

P	LTR	DESCRIPTION	DATE	DWN	APVD
-	-	SEE SHEET 1	-	-	-

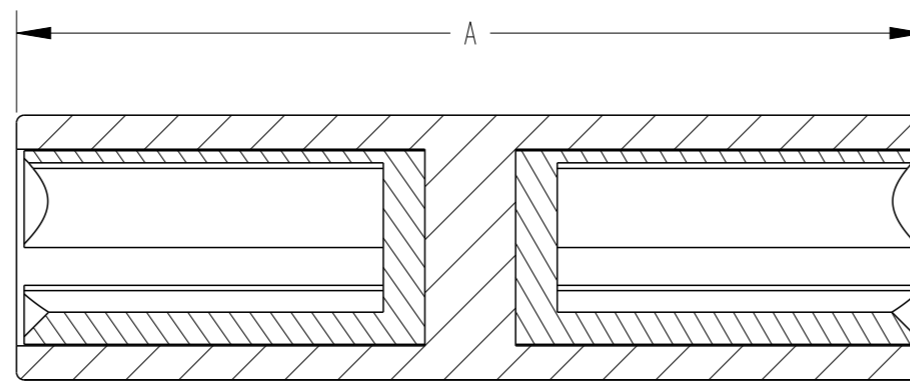


TCPN	CATALOGUE NUMBER	CONDUCTOR AREA (mm ²)		DIMENSIONS (mm)				ROUND END HEXCRIMP DIE	SECTOR CRIMP	
		SECTOR	ROUND	A	G	H	I		NEST	INDENT
293408-000	AKS3I185-240	185	240	149	21	57	60	38-284AL	12	18
CV4716-000	AKS4I240-240	240	240	149	23.5	61	60	38-284AL	15	19
679560-000	AKS4I240-300	240	300	149	21	61	60	38-284AL	15	19

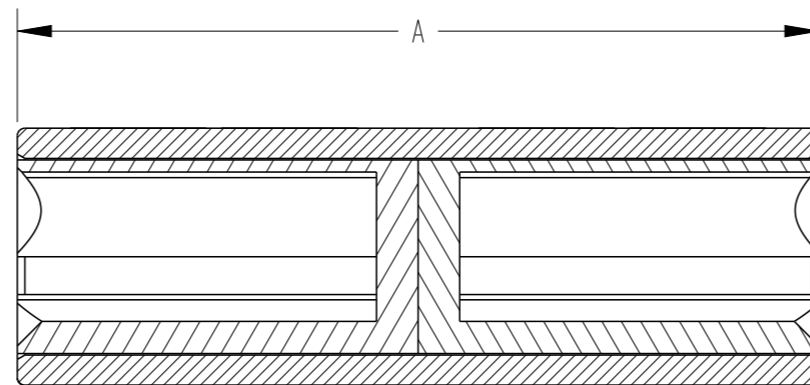
THIS DRAWING IS A CONTROLLED DOCUMENT.		DWN A. SAMAL 25NOV2020				
DIMENSIONS: mm		CHK S. CHAD 25NOV2020				
		APVD M. FRATER 25NOV2020				
TOLERANCES UNLESS OTHERWISE SPECIFIED:		NAME ALUMINIUM LINKS				
MATERIAL		PRODUCT SPEC	SIZE A3	CAGE CODE 00779	DRAWING NO E00001128	RESTRICTED TO
FINISH		APPLICATION SPEC	SCALE NTS		SHEET 2 OF 3	REV A
CUSTOMER DRAWING		WEIGHT				

REVISIONS

P	LTR	DESCRIPTION	DATE	DWN	APVD
	-	SEE SHEET 1	-	-	-



AKS4HR240

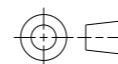


AKS4HR240X01

TCPN	CATALOGUE NUMBER	CONDUCTOR AREA (mm ²)	DIMENSIONS (mm)	CRIMPING DIE
			A	
773388-000	AKS4HR240	240	120	38-284AL
381586-000	AKS4HR240X01	240	106	38-284AL

THIS DRAWING IS A CONTROLLED DOCUMENT.

DIMENSIONS:
mm



TOLERANCES UNLESS OTHERWISE SPECIFIED:

- 0 PLC ±-
- 1 PLC ±
- 2 PLC ±
- 3 PLC ±
- 4 PLC ±
- ANGLES ±

MATERIAL

FINISH

DWN A.SAMAL 25NOV2020

CHK S.CHAD 25NOV2020

APVD M.FRATER 25NOV2020

PRODUCT SPEC

APPLICATION SPEC

WEIGHT

-



TE Connectivity

NAME ALUMINIUM LINKS

SIZE	CAGE CODE	DRAWING NO	RESTRICTED TO
------	-----------	------------	---------------

A3	00779	©-E00001128	-
----	-------	-------------	---

CUSTOMER DRAWING

SCALE	SHEET	OF	REV
NTS	3	3	A