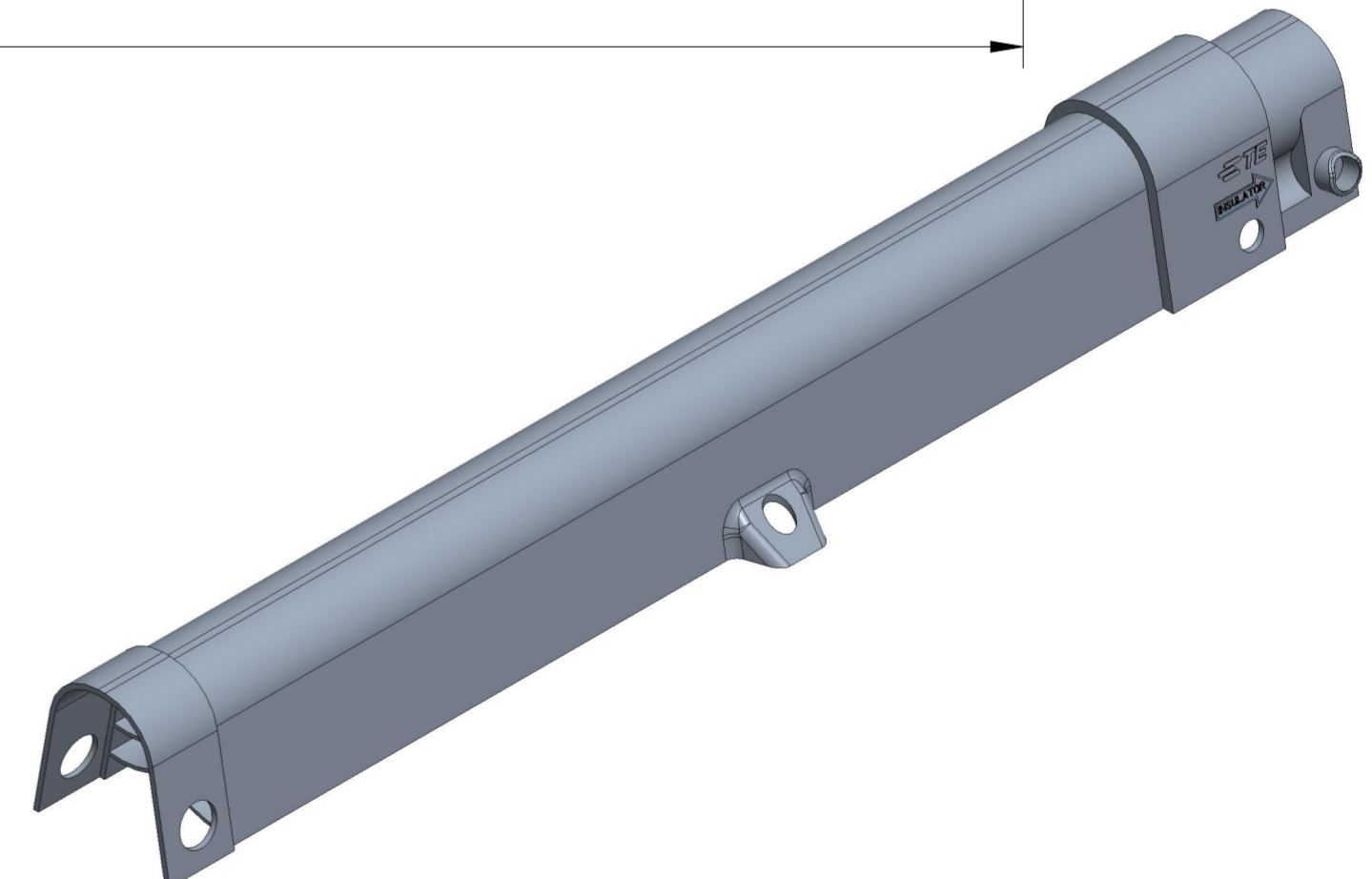
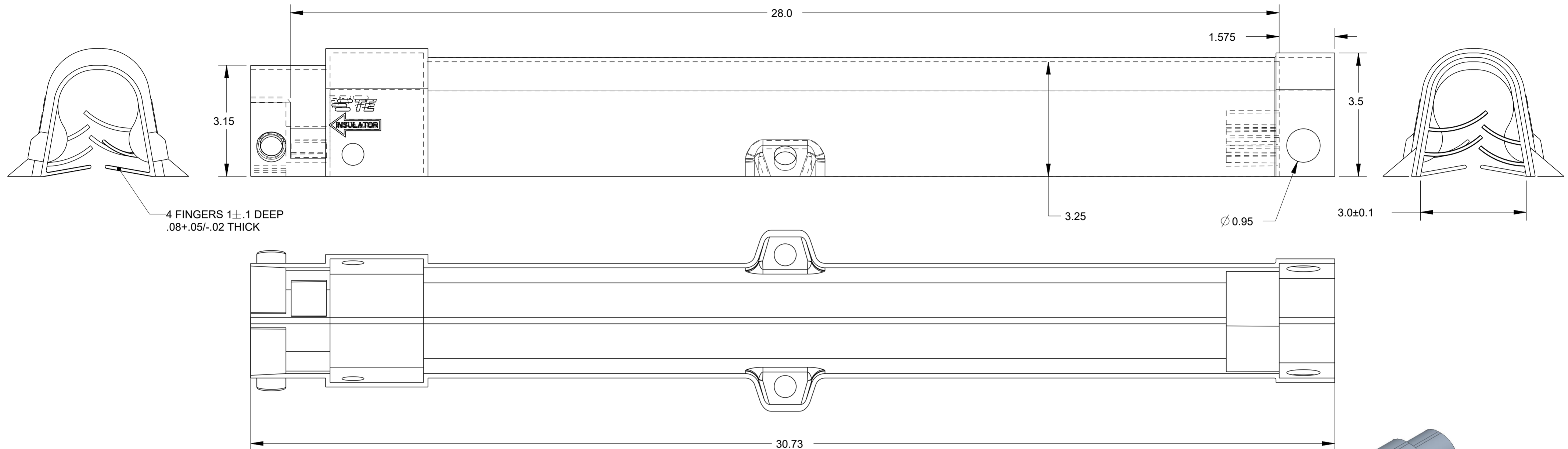


REVISIONS					
P	LTR	DESCRIPTION	DATE	DWN	APVD
A		INITIAL RELEASE	06JUN2020	AS	LH



- NOTES:
- PARTS ARE KITTED 12 PIECES PER BOX.
 - EACH BOX SHALL BE LABELLED WITH DESCRIPTION, LOT NUMBER, PART NUMBER, MANUFACTURING DATE AND QUANTITY.

TCPN
BM9623-000

THIS DRAWING IS A CONTROLLED DOCUMENT.		DWN A. SABARAD 06JUN2020	TE Connectivity															
DIMENSIONS: INCH(MM)		CHK S. LIGHT 06JUN2020																
TOLERANCES UNLESS OTHERWISE SPECIFIED:		APVD L. HILLER 06JUN2020	NAME BCAC-G-ARM-01(B12)															
<table border="1"> <tr><td>0 PLC</td><td>±</td></tr> <tr><td>1 PLC</td><td>±</td></tr> <tr><td>2 PLC</td><td>±</td></tr> <tr><td>3 PLC</td><td>±</td></tr> <tr><td>4 PLC</td><td>±</td></tr> <tr><td>ANGLES</td><td>±</td></tr> <tr><td>FINISH</td><td></td></tr> </table>		0 PLC	±	1 PLC	±	2 PLC	±	3 PLC	±	4 PLC	±	ANGLES	±	FINISH		PRODUCT SPEC	RESTRICTED TO	
0 PLC	±																	
1 PLC	±																	
2 PLC	±																	
3 PLC	±																	
4 PLC	±																	
ANGLES	±																	
FINISH																		
MATERIAL		APPLICATION SPEC	SIZE A2	CAGE CODE 00779	DRAWING NO E00000897													
		WEIGHT	SCALE NTS		SHEET 1 OF 1													
		CUSTOMER DRAWING	REV A															