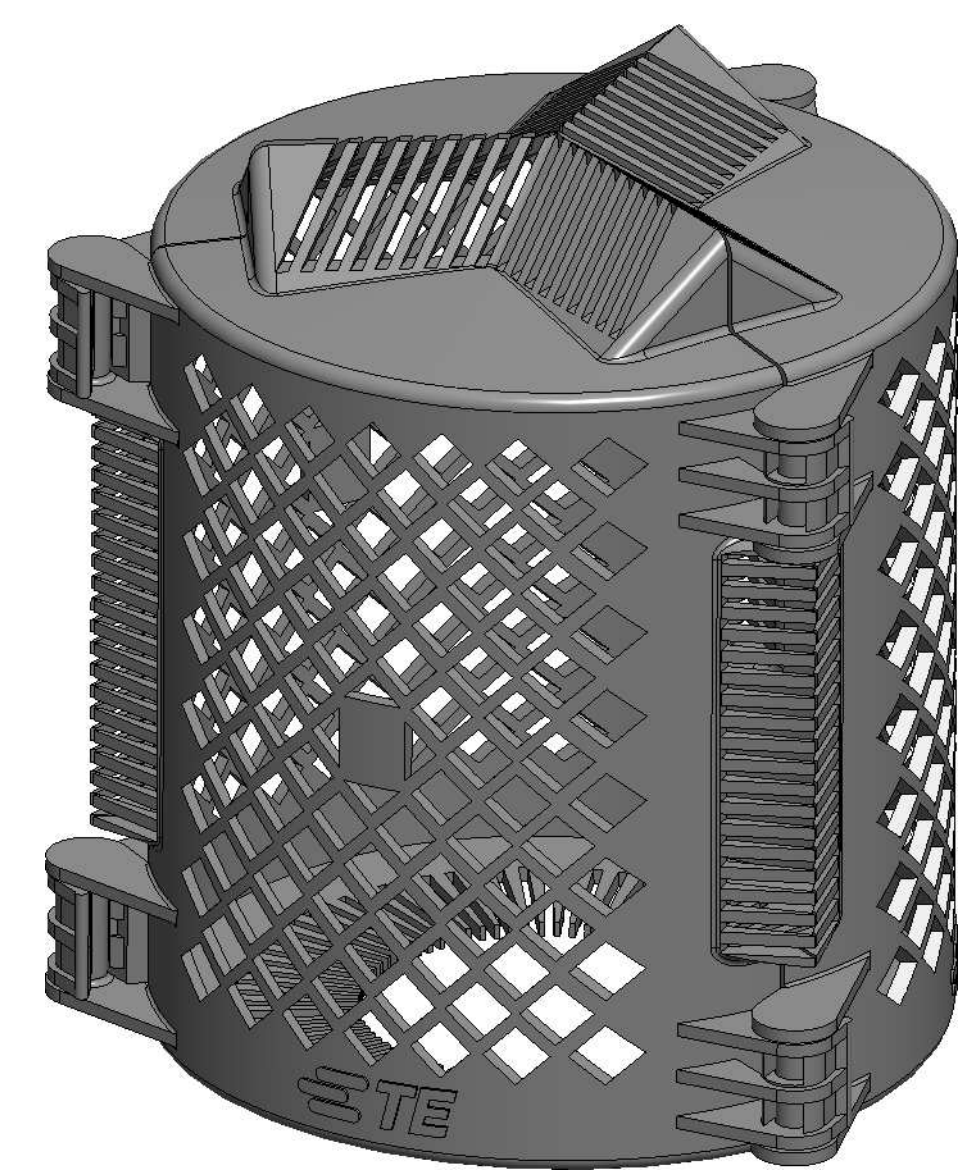
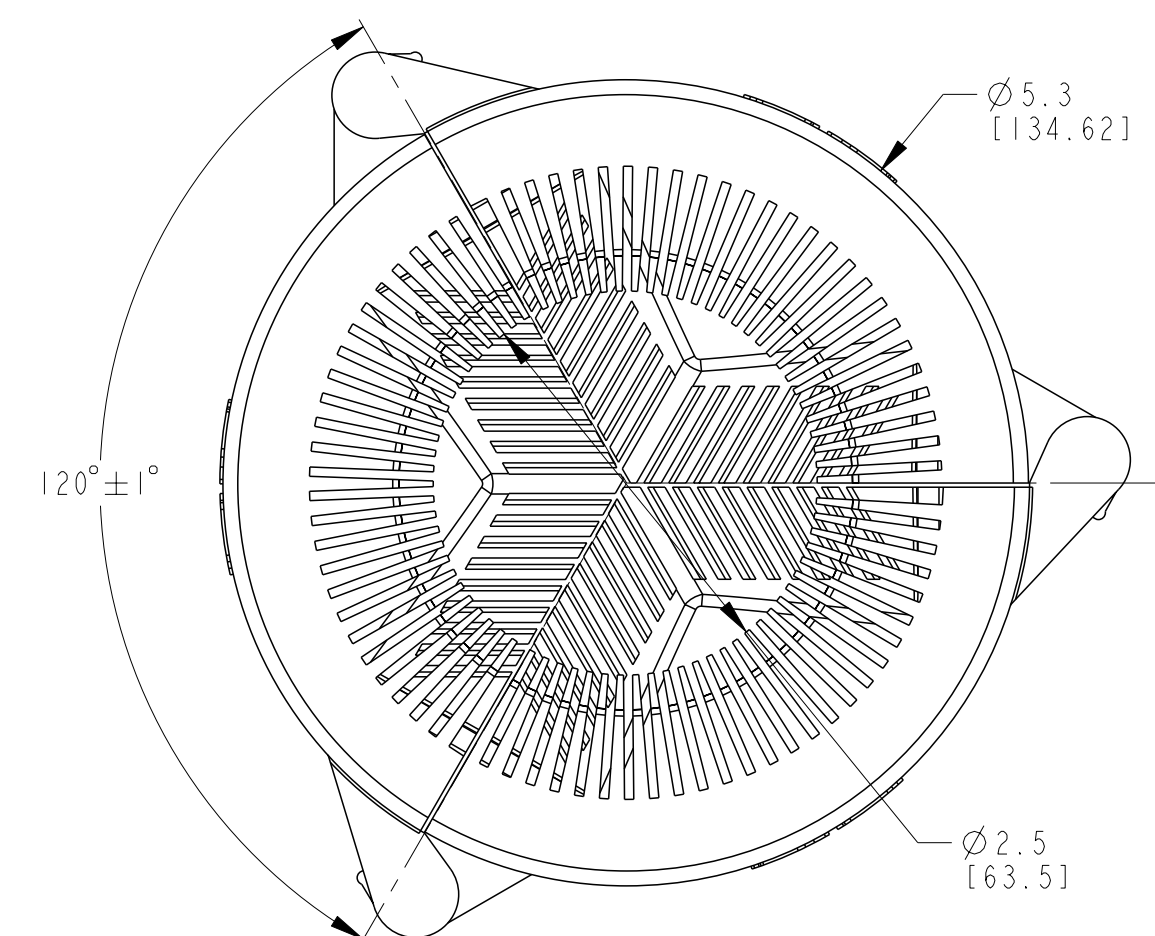
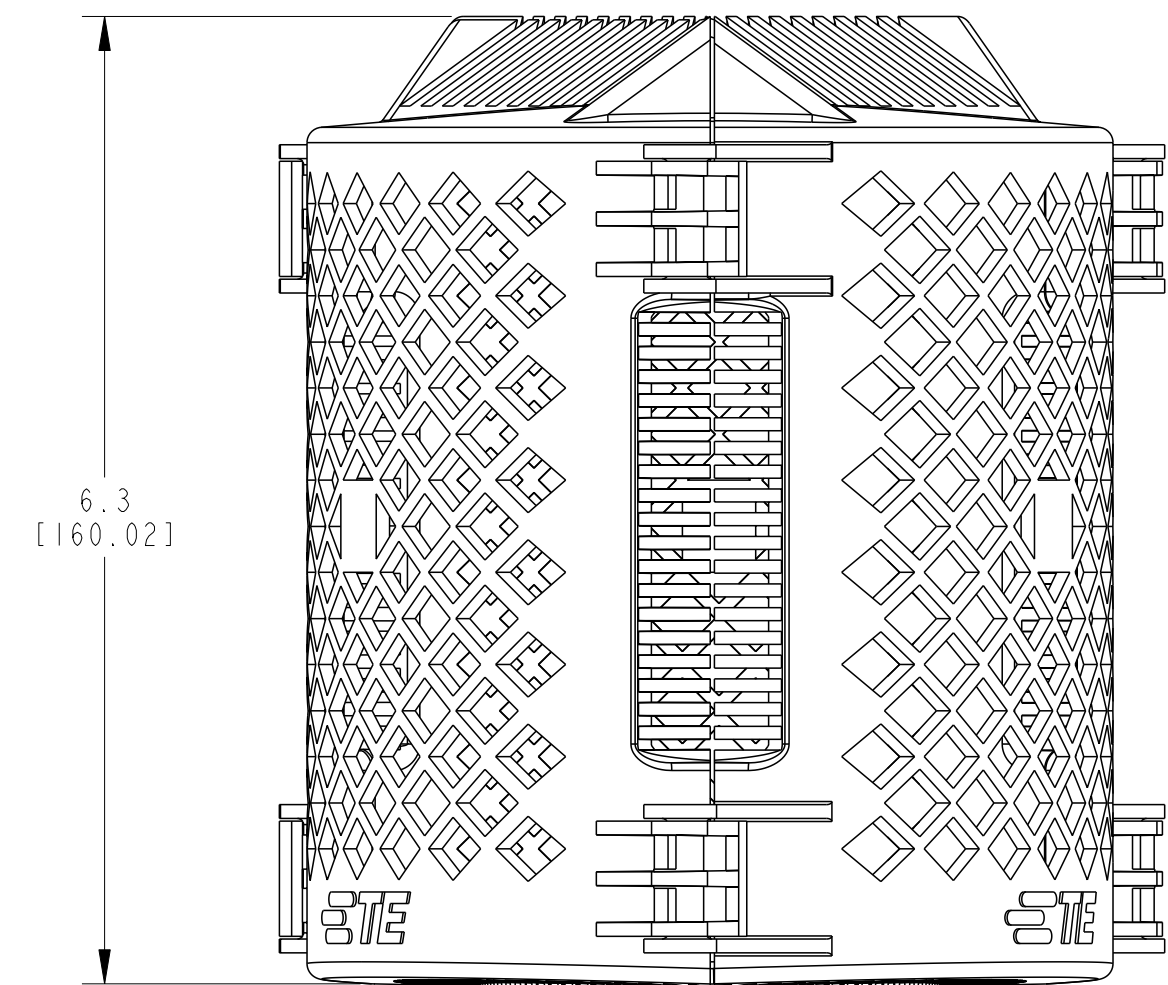
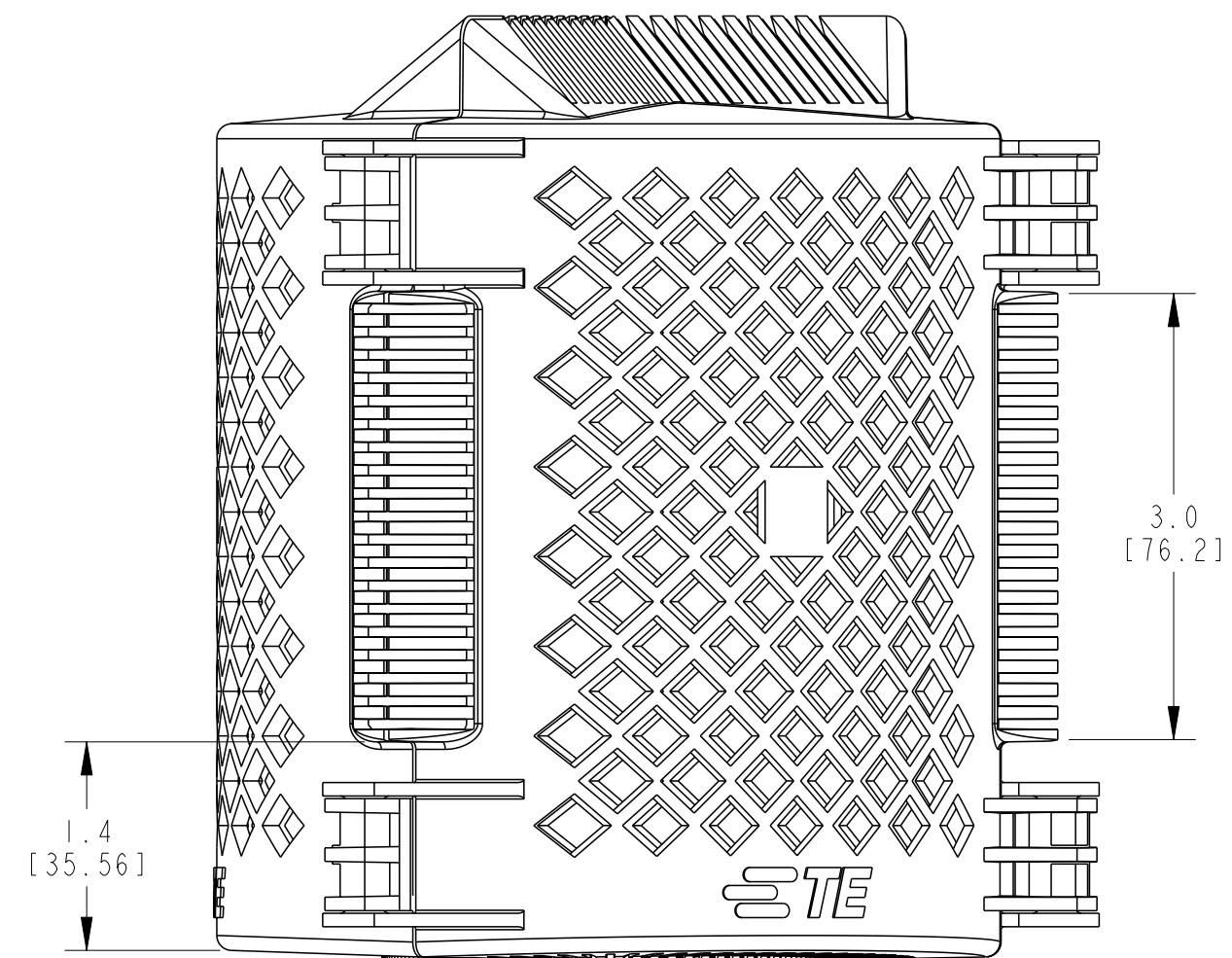


REVISIONS					
P	LTR	DESCRIPTION	DATE	DWN	APVD
A		INITIAL RELEASE	27MAY2020	AS	LH
B		VIEWS ARE UPDATED WITH ASSEMBLY	14MAR2023	HM	LH
B1		REV. PER ECR-23-179214	27JUN2023	HM	LH



TCPN	DESCRIPTION
33774-000	BCAC-G-1C-5D/6(B6)
BR3669-000	BCAC-1C-5D/6(B6)
BM5685-000	BCAC-P-1C-5D/6(B6)

- NOTES:
- PARTS ARE KITTED 6 ASSEMBLIES PER BOX. EACH ASSEMBLY CONSISTS OF 3 PIECES SNAPPED TOGETHER IN TWO PLACES  
PI11-56104 ALSO INCLUDED
  - EACH BOX SHALL BE LABELLED WITH DESCRIPTION, LOT NUMBER, PART NUMBER, MANUFACTURING DATE AND QUANTITY.

THIS DRAWING IS A CONTROLLED DOCUMENT.		DWN A. SABARAD 27MAY2020	TE Connectivity	
DIMENSIONS: INCH(MM)		CHK S. LIGHT 27MAY2020		
TOLERANCES UNLESS OTHERWISE SPECIFIED:		APVD L. HILLER 27MAY2020	NAME BCAC-G-1C-5D/6 BCAC-1C-5D/6 BCAC-P-1C-5D/6	
		PRODUCT SPEC	SIZE A2	
MATERIAL		APPLICATION SPEC	CAGE CODE 00779	DRAWING NO E00000892
FINISH		WEIGHT	RESTRICTED TO	
		CUSTOMER DRAWING	SCALE NTS	SHEET OF 1
			REV B1	

Printed on 27 Jun 2023 13:16 (India Standard Time) from TE397707