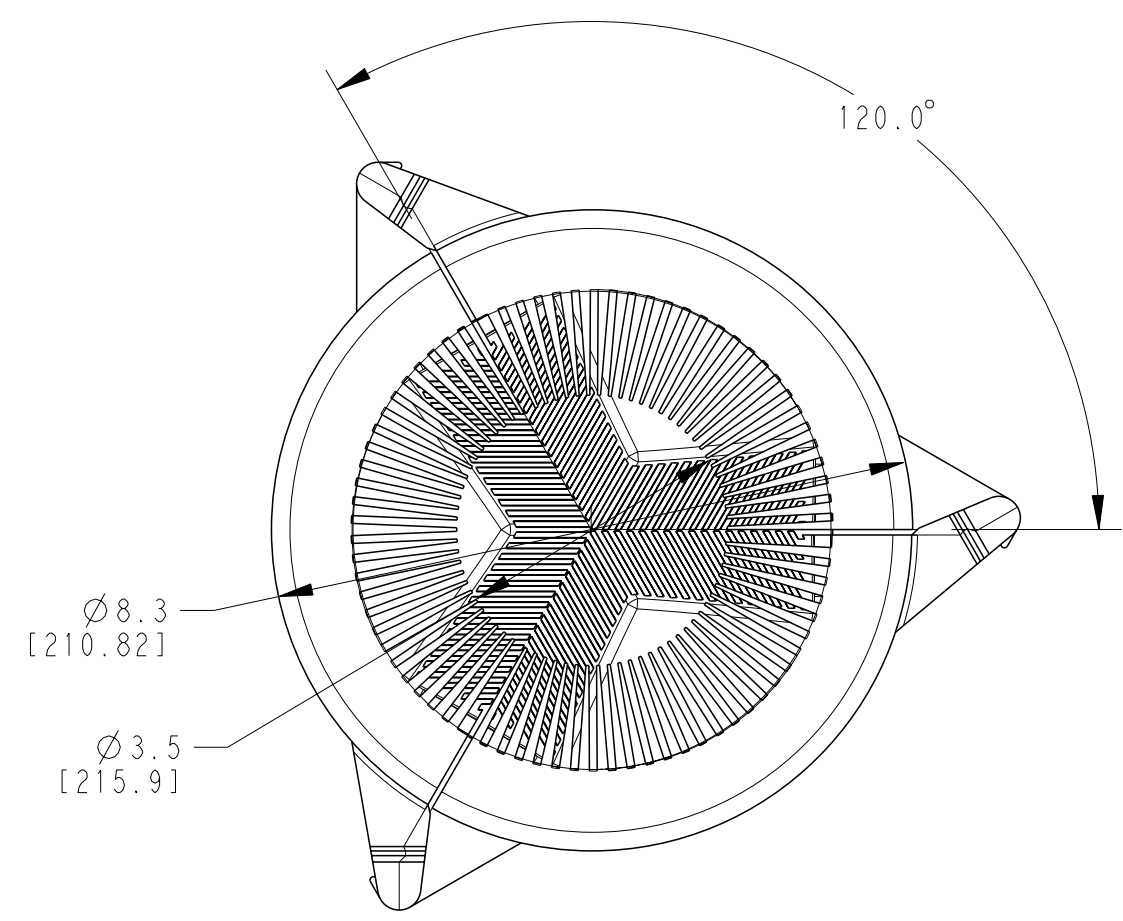
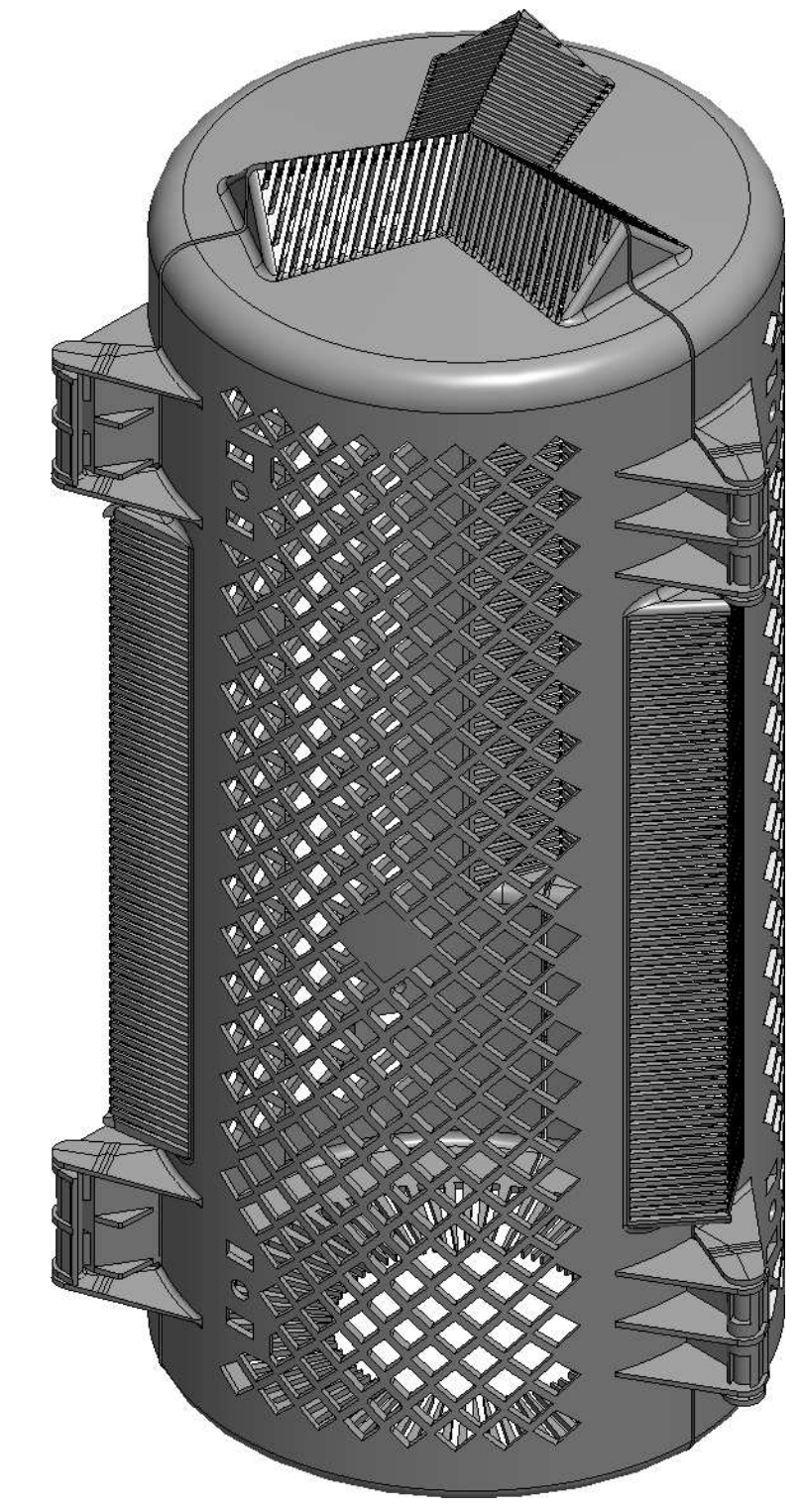
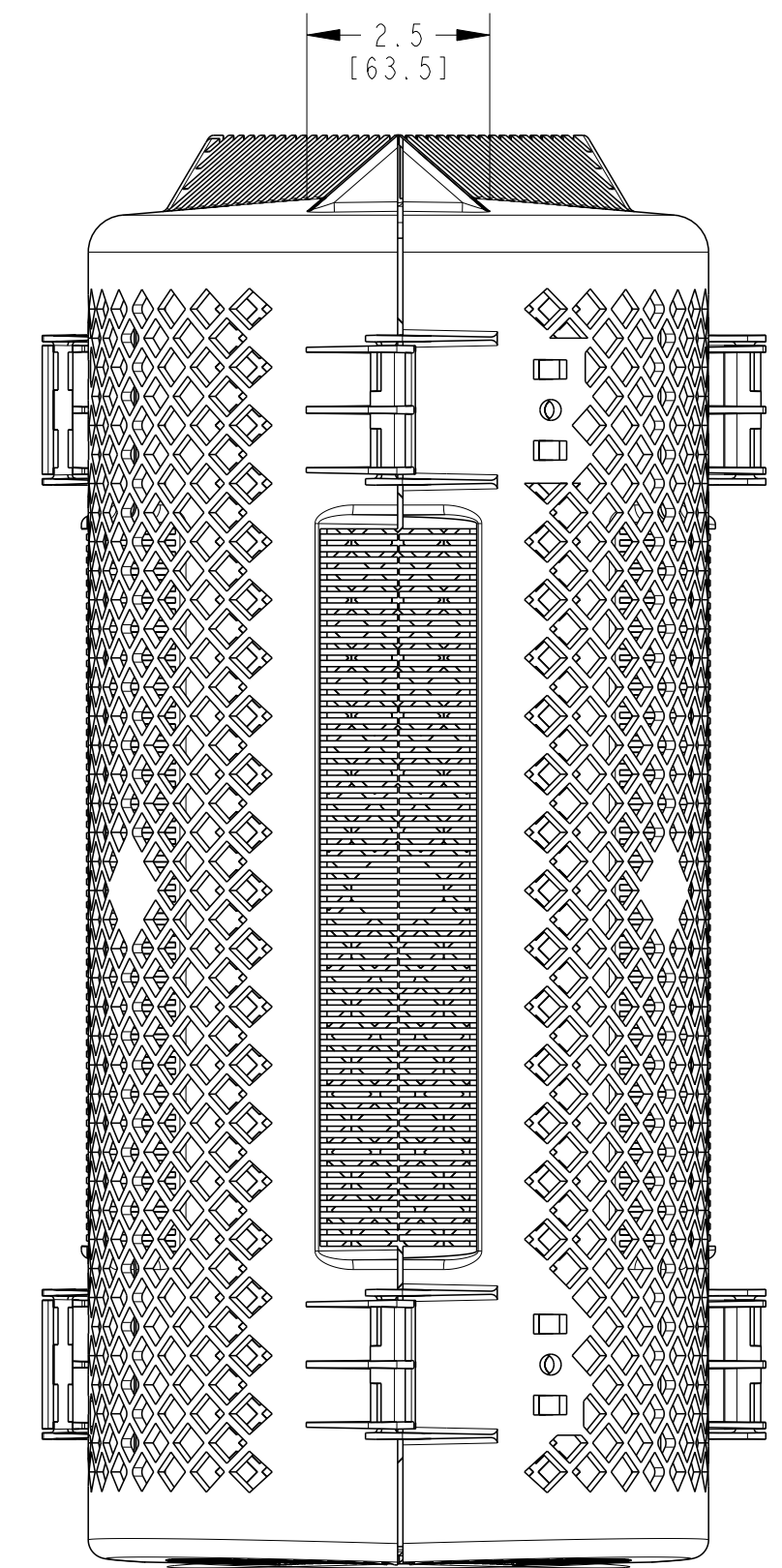
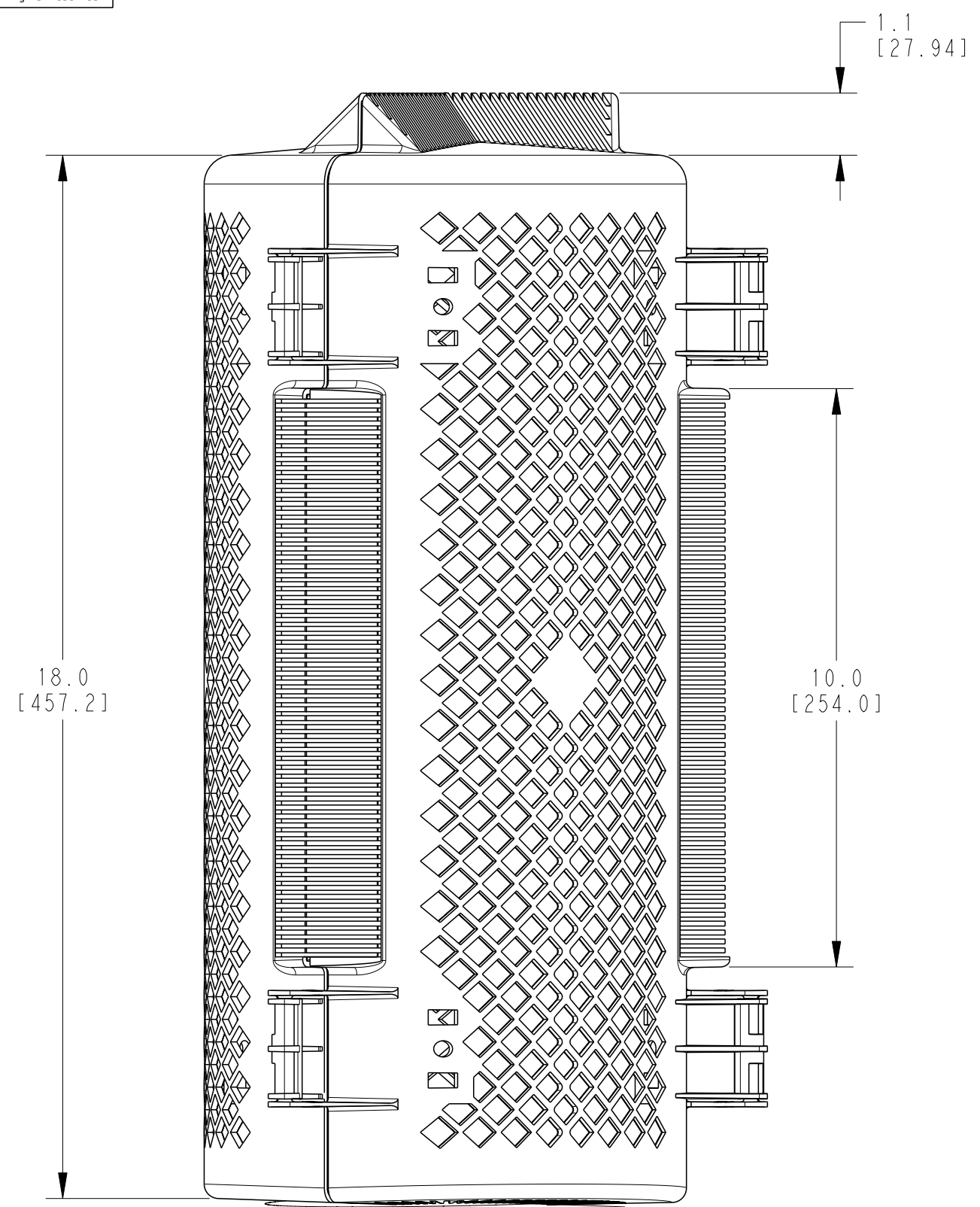


P	LTR	DESCRIPTION	DATE	DWN	APVD
A		INITIAL RELEASE	19MAY2020	AS	LH
A1		REV. PER ECR-23-179214	27JUN2023	HM	LH



- NOTES:
- PARTS ARE KITTED 6 ASSEMBLIES PER BOX. EACH ASSEMBLY CONSISTS OF 3 PIECES SNAPPED TOGETHER IN TWO PLACES. PII-56104 ALSO INCLUDED.
 - EACH BOX SHALL BE LABELLED WITH DESCRIPTION, LOT NUMBER, PART NUMBER, MANUFACTURING DATE AND QUANTITY.

THIS DRAWING IS A CONTROLLED DOCUMENT.		DWN	19MAY2020	TE Connectivity	
DIMENSIONS: INCH(MM)		CHK	A. SABARAD 19MAY2020		
TOLERANCES UNLESS OTHERWISE SPECIFIED: 0 PLC ± 1 PLC ± 2 PLC ± 3 PLC ± 4 PLC ± ANGLES ± FINISH		APVD	S. LIGHT 19MAY2020		
		MATERIAL CUSTOMER DRAWING			
		NAME BCAC-G-IC-8D/18 BCAC-IC-8D/18		SIZE A2	CAGE CODE 00779
		DRAWING NO C-E00000879		RESTRICTED TO -	SHEET 1 OF 1
				REV A1	

Printed on 27 Jun 2023 15:26 (India Standard Time) from TE397707