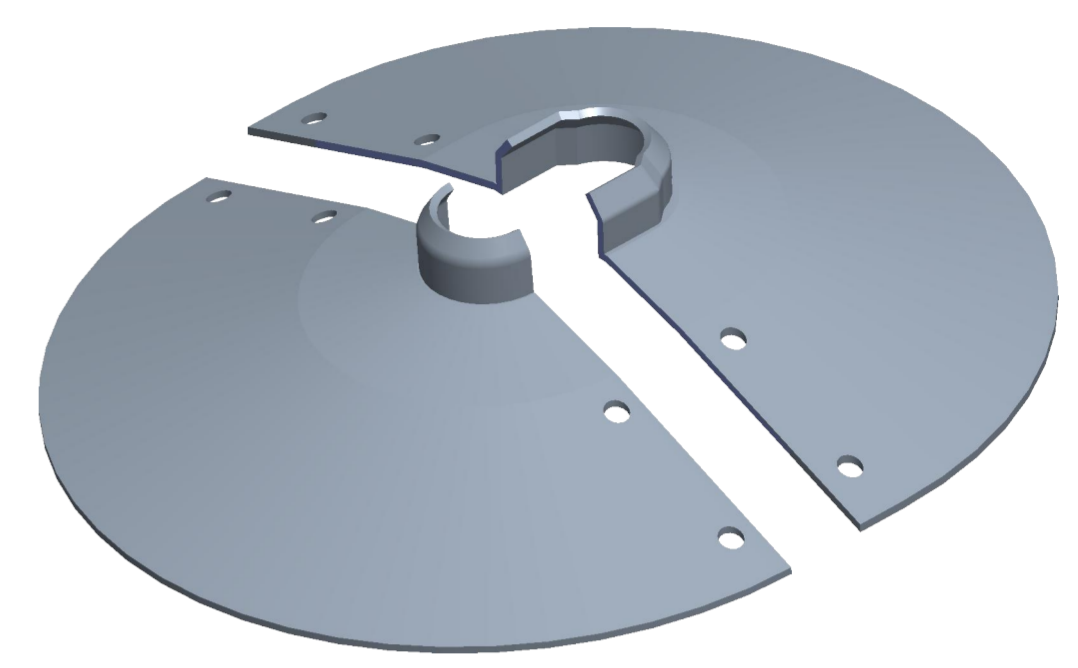
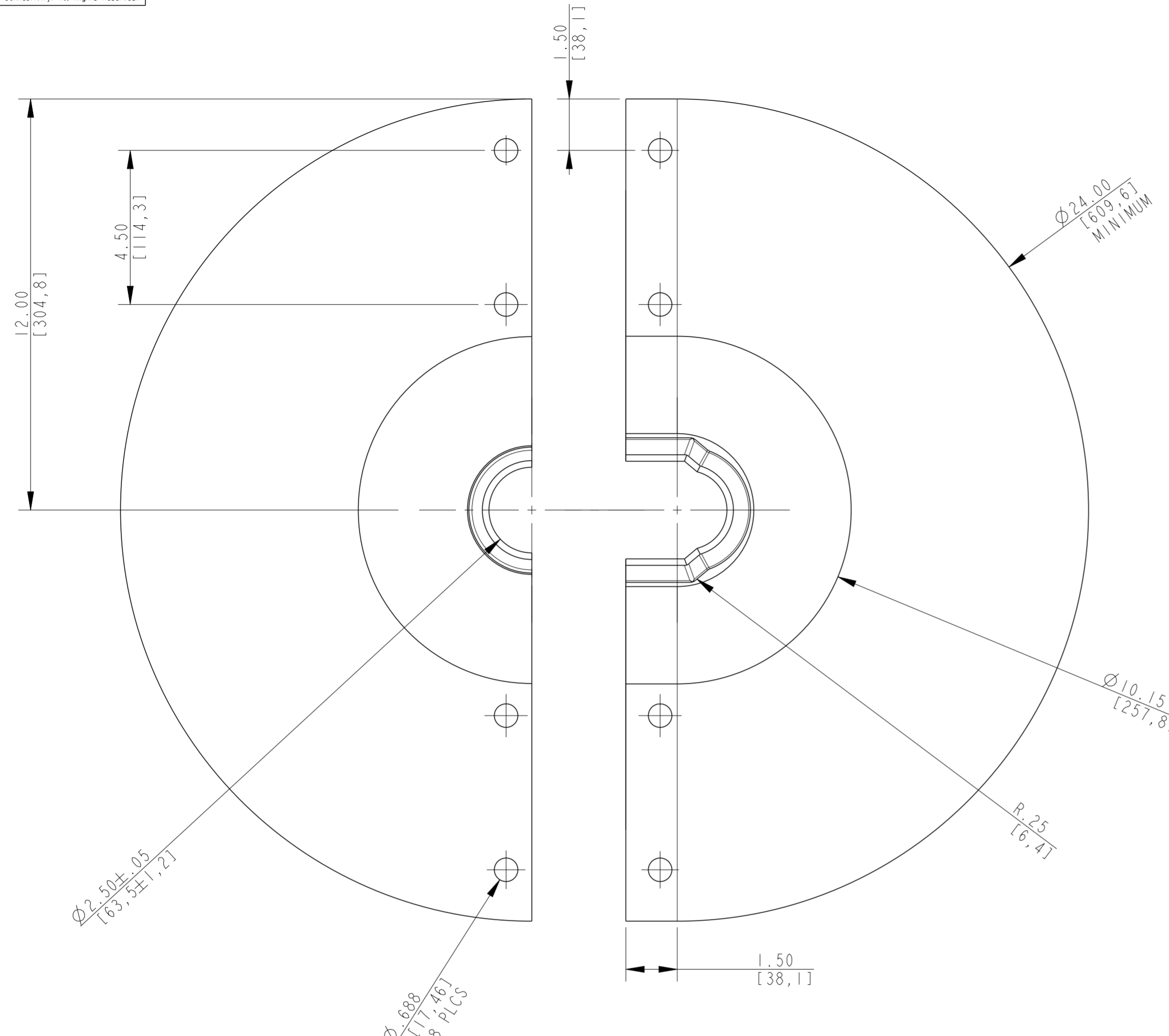


REVISIONS					
P	LTR	DESCRIPTION	DATE	DWN	APVD
A		INITIAL RELEASE	07MAY2020	AS	LH
AI		REV. PER ECR-23-179214	27JUN2023	HM	LH
B		REV. PER ECR-23-190233	18OCT2023	MT	LH
C		REV. PER ECR-24-198325	14DEC2023	MT	LH

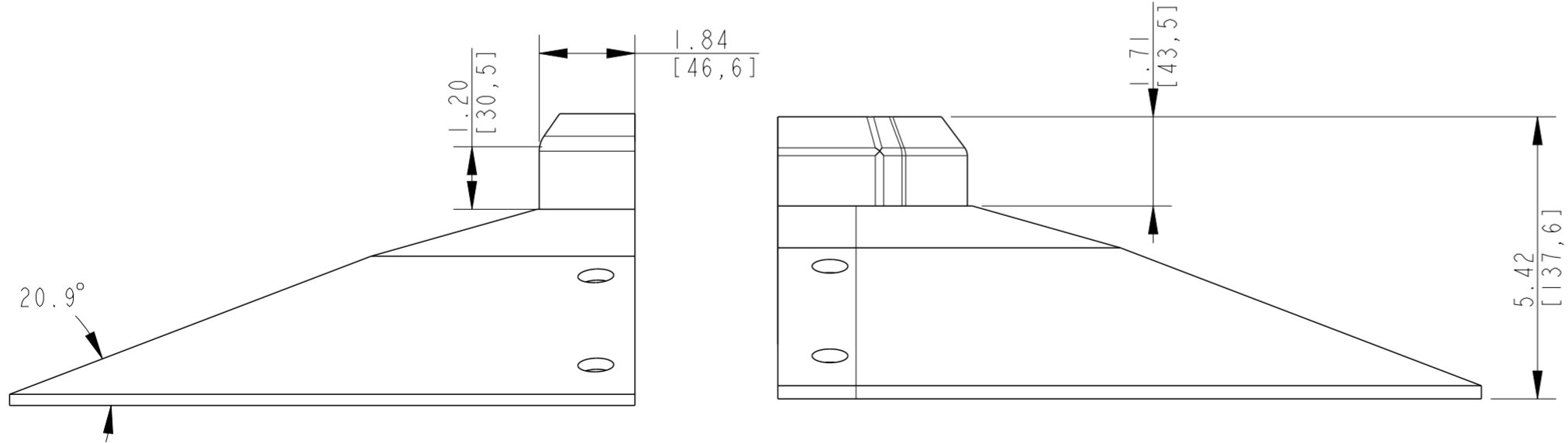


NOTES:

1. MATERIAL: TE INSULATING SHEET.
2. PARTS SHALL BE KITTED 3 PIECES PER BOX.
3. PARTS SHALL BE KITTED WITH PII-56534.
4. EACH BOX SHALL BE LABELLED WITH DESCRIPTION, LOT NUMBER, PART NUMBER, MANUFACTURING DATE AND QUANTITY

KIT CONTENTS:

- 934765-000 SI251-50-300-4 6 pc
- CM9066-000 WASHER-5/8-NUN01 12 pc
- CM9067-000 TF-5/8X1.50-HHDNUN24 12 pc
- CM9068-000 NUTZ-5/8-NUN01 12 pc



THIS DRAWING IS A CONTROLLED DOCUMENT.		DWN A. SABARAD 07MAY2020	TE Connectivity			
DIMENSIONS: INCH[MM]		CHK S. LIGHT 07MAY2020				
		APVD L. HILLER 07MAY2020	NAME RRGS-35/600-M-PGE(B3) RRGS-G-35/600-M-PGE(B3)			
TOLERANCES UNLESS OTHERWISE SPECIFIED:		PRODUCT SPEC	SIZE	CAGE CODE	DRAWING NO	RESTRICTED TO
0 PLC	±	-	A2	00779	C-E00000878	-
1 PLC	±	-	SCALE	NTS	SHEET	OF
2 PLC	±	-	CUSTOMER DRAWING			REV
3 PLC	±	-				C
4 PLC	±	-				
ANGLES	±	-				
FINISH	-	-				