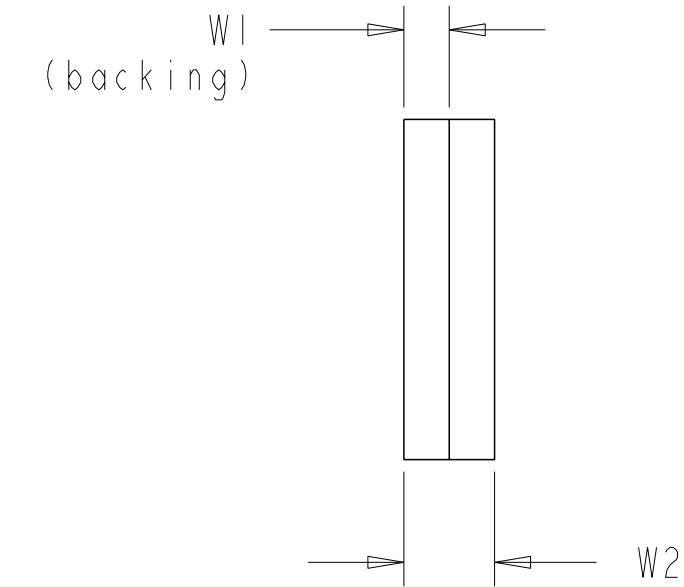
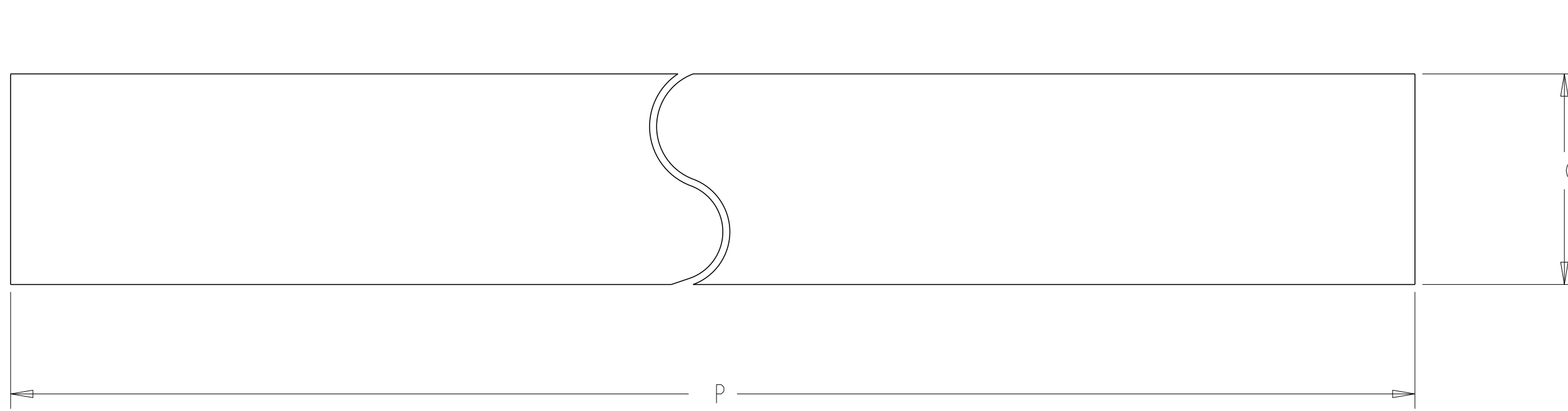


P	LTR	DESCRIPTION	DATE	DWN	APVD
	A	INITIAL RELEASE	22APR2020	AS	LH



Product Description	Dimensions				UOM: Roll of Length, P (feet)
	Q a min. (inch)	W1 a min. (inch)	W1 b min (inch)	W2 b min. (inch)	
HVBT-1-R-01(B8)	1	0.014	0.022	0.034	25
HVBT-2-R-01(B4)	2	0.014	0.022	0.034	24
HVBT-4-R-01(B2)	4	0.014	0.022	0.034	25

Product Description	Dimensions				UOM: Roll of Length, P (m)
	Q a min. (mm)	W1 a min. (mm)	W1 b min (mm)	W2 b min. (mm)	
HVBT-12-A(B10)	25	0.38	0.56	0.86	10
HVBT-14-A(B10)	50	0.38	0.56	0.86	10
HVBT-16-A(B10)	100	0.38	0.56	0.86	10

Notes:

1. a = AS SUPPLIED, b = FREE RECOVERY.
2. PARTS SHALL BE KITTED WITH P11-53290
3. ALL OTHER INFORMATION CAN BE FOUND ON THE DATASHEET EPP-2660-10/18-EN

TCPN	DESCRIPTION
CM6539-000	HVBT-1-R-01(B8)
CP8406-000	HVBT-2-R-01(B4)
CM6541-000	HVBT-4-R-01(B2)
CM6536-000	HVBT-12-A(B10)
CS5522-000	HVBT-14-A(B10)
CM6538-000	HVBT-16-A(B10)

THIS DRAWING IS A CONTROLLED DOCUMENT.		DWN A. SABARAD 22APR2020																
DIMENSIONS: INCH(MM)		CHK S. LIGHT 22APR2020																
TOLERANCES UNLESS OTHERWISE SPECIFIED:		APVD L. HILLER 22APR2020	NAME HVBT HIGH VOLTAGE BUSBAR INSULATION TAPE															
<table border="1"> <tr><td>0 PLC</td><td>±</td></tr> <tr><td>1 PLC</td><td>±</td></tr> <tr><td>2 PLC</td><td>±</td></tr> <tr><td>3 PLC</td><td>±</td></tr> <tr><td>4 PLC</td><td>±</td></tr> <tr><td>ANGLES</td><td>±</td></tr> <tr><td>FINISH</td><td>±</td></tr> </table>		0 PLC	±	1 PLC	±	2 PLC	±	3 PLC	±	4 PLC	±	ANGLES	±	FINISH	±	PRODUCT SPEC -	SIZE A2	
0 PLC	±																	
1 PLC	±																	
2 PLC	±																	
3 PLC	±																	
4 PLC	±																	
ANGLES	±																	
FINISH	±																	
MATERIAL -		APPLICATION SPEC -	CAGE CODE 00779	DRAWING NO E00000858														
-		WEIGHT -	RESTRICTED TO -	SCALE NTS														
-		CUSTOMER DRAWING	SHEET 1	OF 1														
-			REV A															