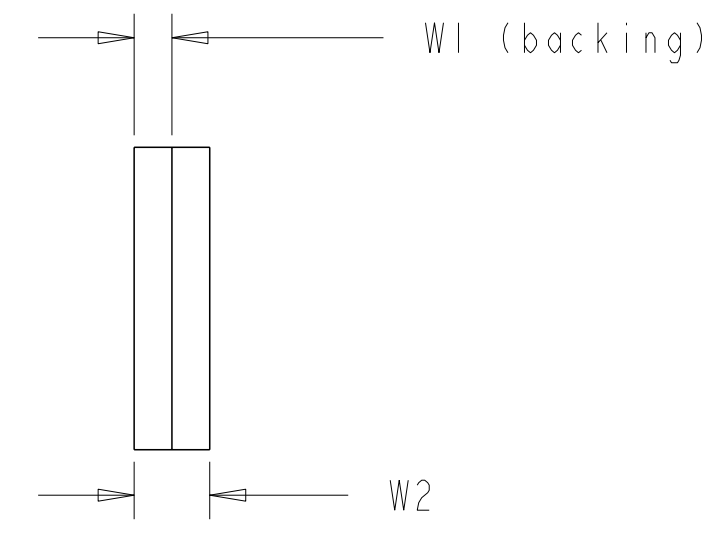
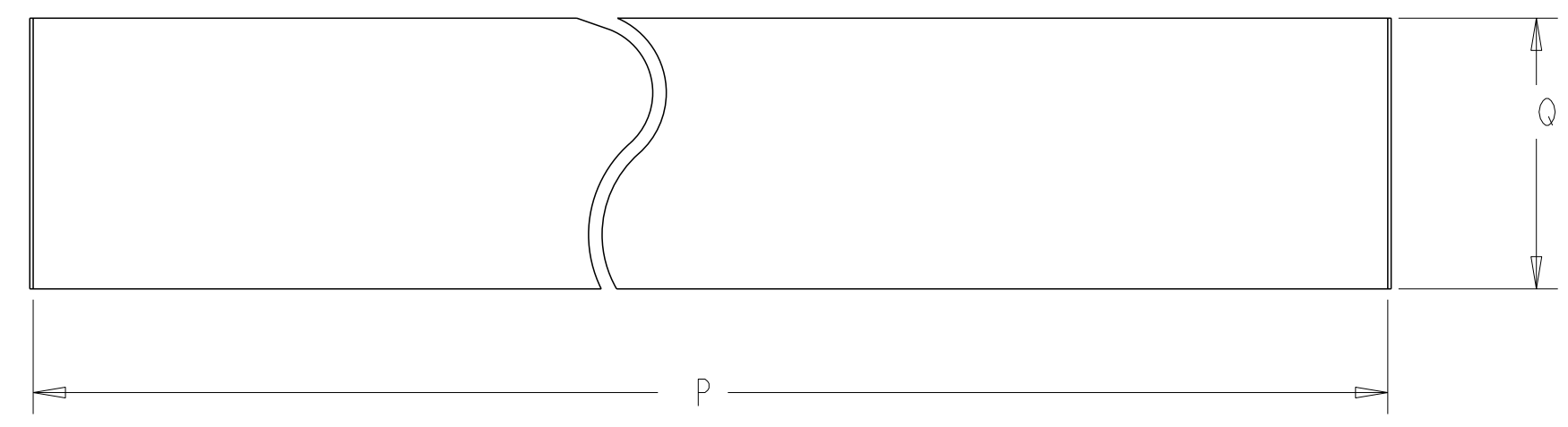

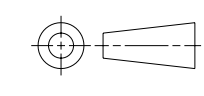


| REVISIONS | | | | |
|-----------|-----|-----------------|-----------|-------|
| P | LTR | DESCRIPTION | DATE | APVD |
| | A | INITIAL RELEASE | 24APR2020 | AS LH |
| | | | | |
| | | | | |



| Product Description | Dimensions | | | | UOM: Roll of Length, P (m) |
|---------------------|---------------|----------------|----------------|----------------|----------------------------|
| | Q a min. (mm) | W1 a min. (mm) | W1 b min. (mm) | W2 b min. (mm) | |
| LVBT-1-R-01(B8) | 25 | 0.4 | 0.6 | 1 | 8 |
| LVBT-2-R-01(B4) | 50 | 0.4 | 0.6 | 1 | 8 |
| LVBT-4-R-01(B2) | 100 | 0.4 | 0.6 | 1 | 8 |

- NOTES:
1. a = AS SUPPLIED, b = FREE RECOVERY
 2. PARTS SHALL BE KITTED WITH P11-51070
 3. THE MAXIMUM LONGITUDINAL CHANGE AFTER RECOVERY IS -30%
 4. ALL OTHER INFORMATION CAN BE FOUND IN THE DATA SHEET EPP-0613-7/18-EN

| | | | | |
|---|--|-----------------------------|---|-----------------|
| THIS DRAWING IS A CONTROLLED DOCUMENT. | | DWN 24APR2020 A. SABARAD |  TE Connectivity | |
| DIMENSIONS: INCH(MM) | | CHK 24APR2020 S. LIGHT | | |
|  | | APVD 24APR2020 L. HILLER | NAME (LVBT) LOW VOLTAGE BUSBAR INSULATION TAPE | |
| TOLERANCES UNLESS OTHERWISE SPECIFIED: | | PRODUCT SPEC | RESTRICTED TO | |
| 0 PLC ±- | | APPLICATION SPEC | SIZE A2 | CAGE CODE 00779 |
| 1 PLC ±- | | WEIGHT | DRAWING NO. C-E00000855 | |
| 2 PLC ±- | | CUSTOMER DRAWING | SCALE NTS | SHEET 1 OF 1 |
| 3 PLC ±- | | | | REV A |
| 4 PLC ±- | | | | |
| ANGLES ±- | | | | |
| FINISH | | | | |