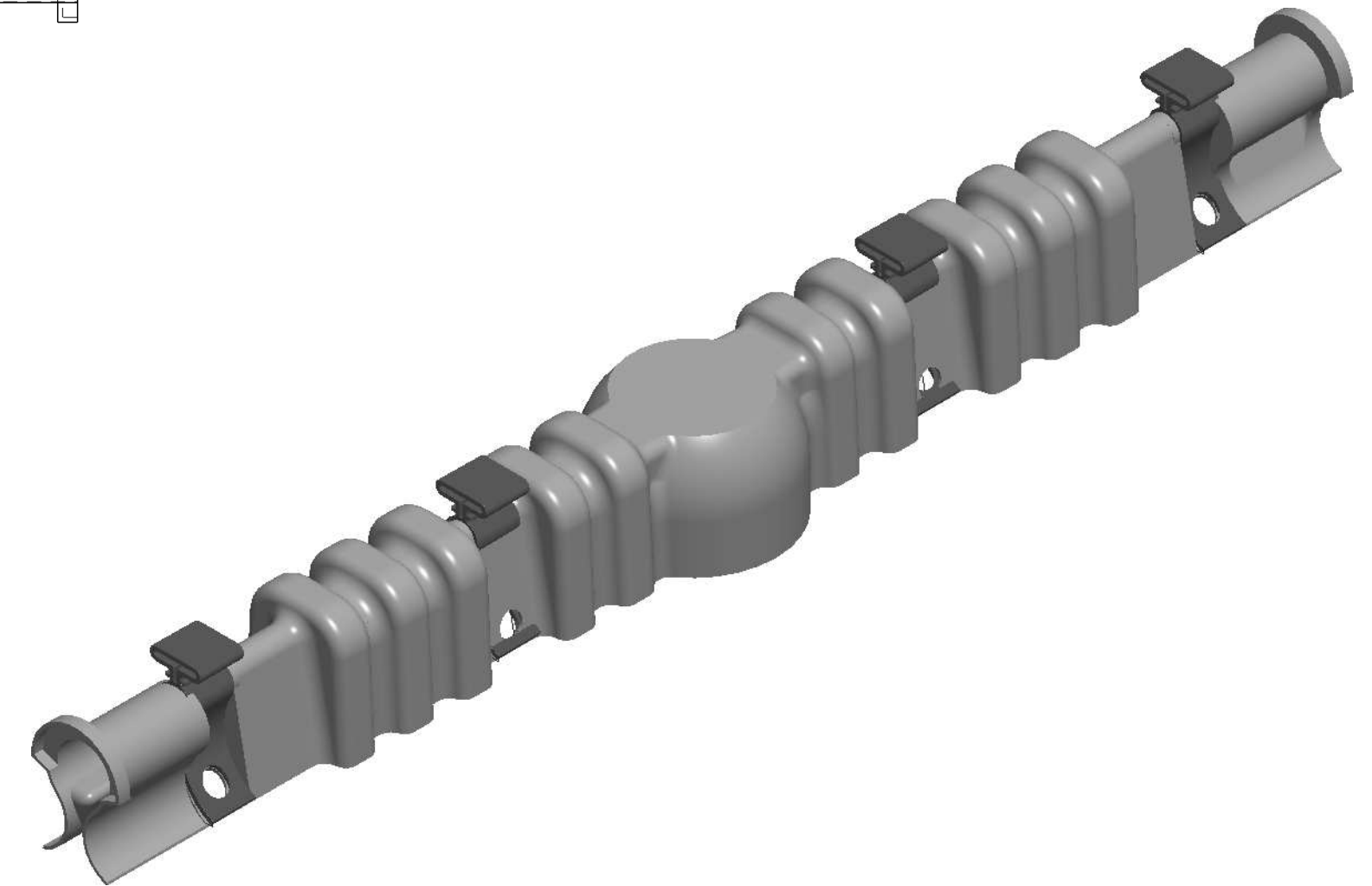
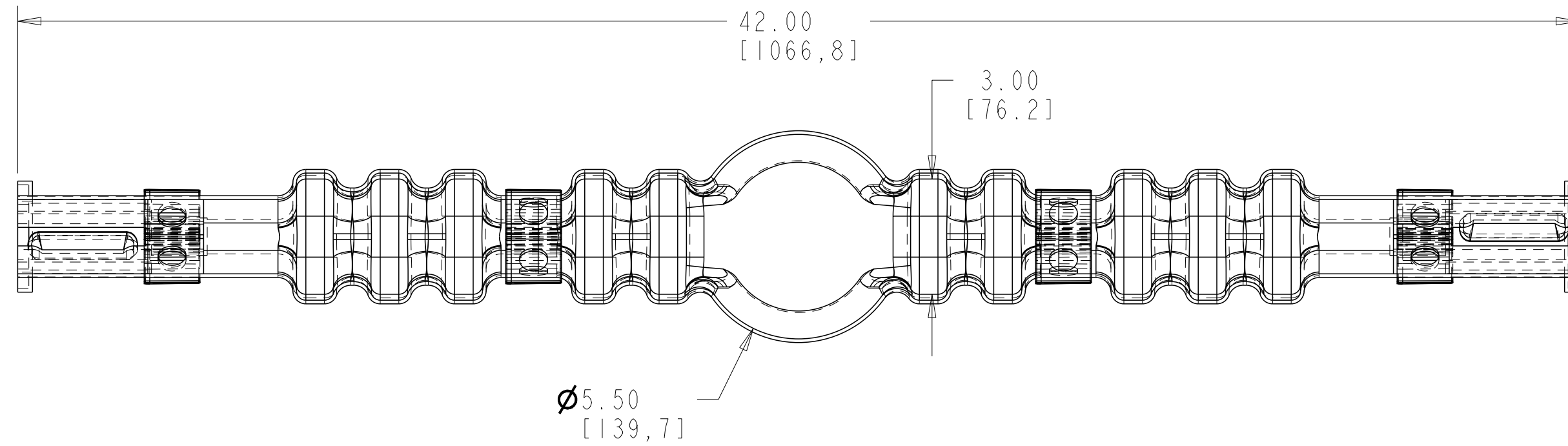
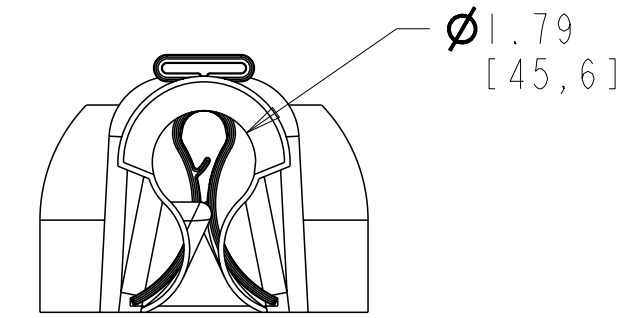
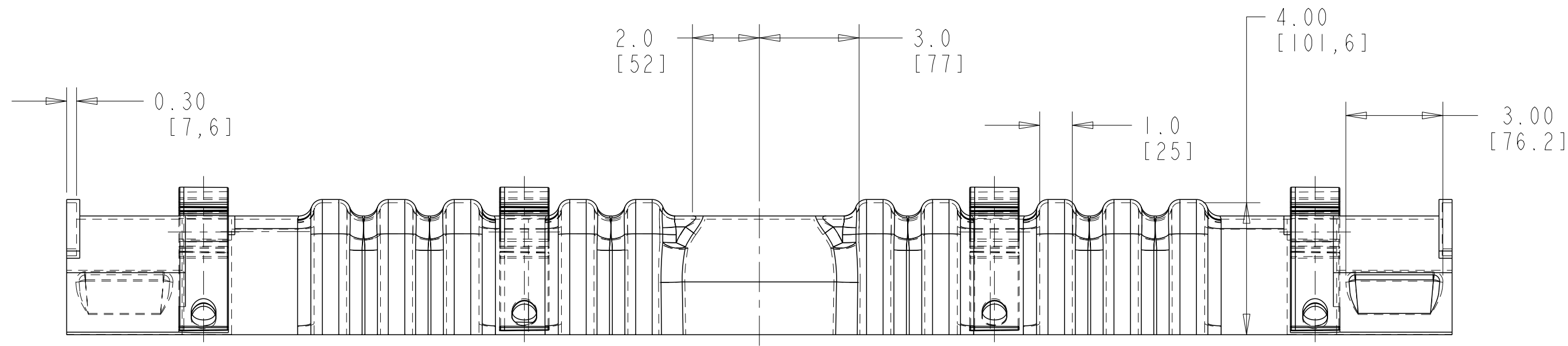


REVISIONS				
P	LTR	DESCRIPTION	DATE	APVD
A		INITIAL RELEASE	18APR2020	AS LH



TCPN	DESCRIPTION
D29063-000	BCIC-G-PIN-556-01(B6)
A34170-000	BCIC-G-PIN-556-01-24(B6)

NOTES:

- PARTS TO BE KITTED 6 PIECES PER BOX.
- PART A34170-000 SHALL BE KITTED WITH QTY 2 BCIC-G-ARM-24-D, PN E30747-000.
- PART SHALL BE KITTED WITH P11-55421
- EACH BOX SHALL BE LABELLED WITH DESCRIPTION, LOT NUMBER, PART NUMBER MANUFACTURING DATE AND QUANTITY.

THIS DRAWING IS A CONTROLLED DOCUMENT.		DWN A. SABARAD 18APR2020		
DIMENSIONS: INCH(MM)		CHK S. LIGHT 18APR2020		
TOLERANCES UNLESS OTHERWISE SPECIFIED:		APVD L. HILLER 18APR2020	NAME BCIC-G-PIN-556-01	
0 PLC ±-		PRODUCT SPEC	SIZE	
1 PLC ±0.1		APPLICATION SPEC	CAGE CODE	
2 PLC ±0.01		WEIGHT	DRAWING NO	
3 PLC ±0.001		CUSTOMER DRAWING	RESTRICTED TO	
4 PLC ±0.0001		SCALE	SHEET	
ANGLES ±		NTS	OF	
FINISH		SCALE	REV	
MATERIAL		A2	A	
		00779	E00000847	