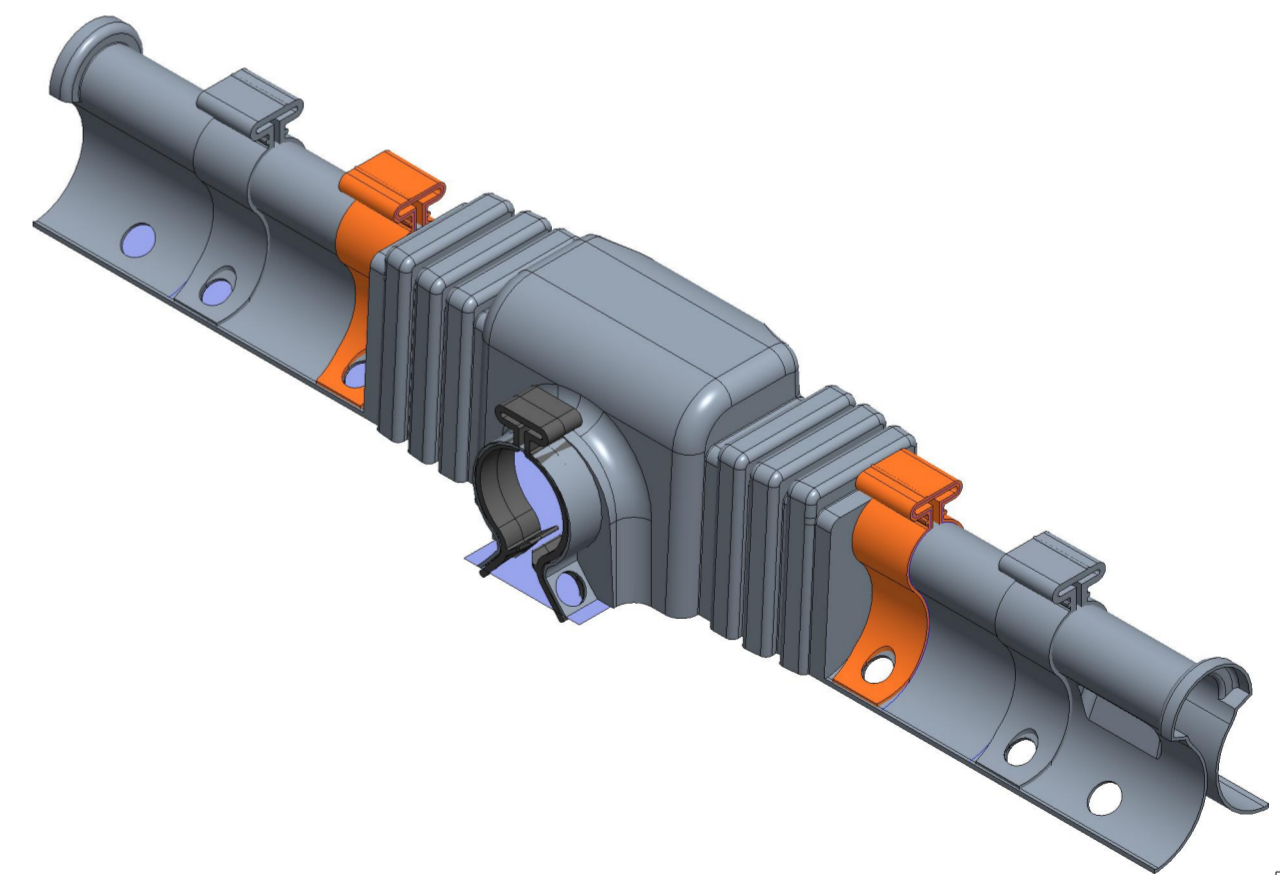
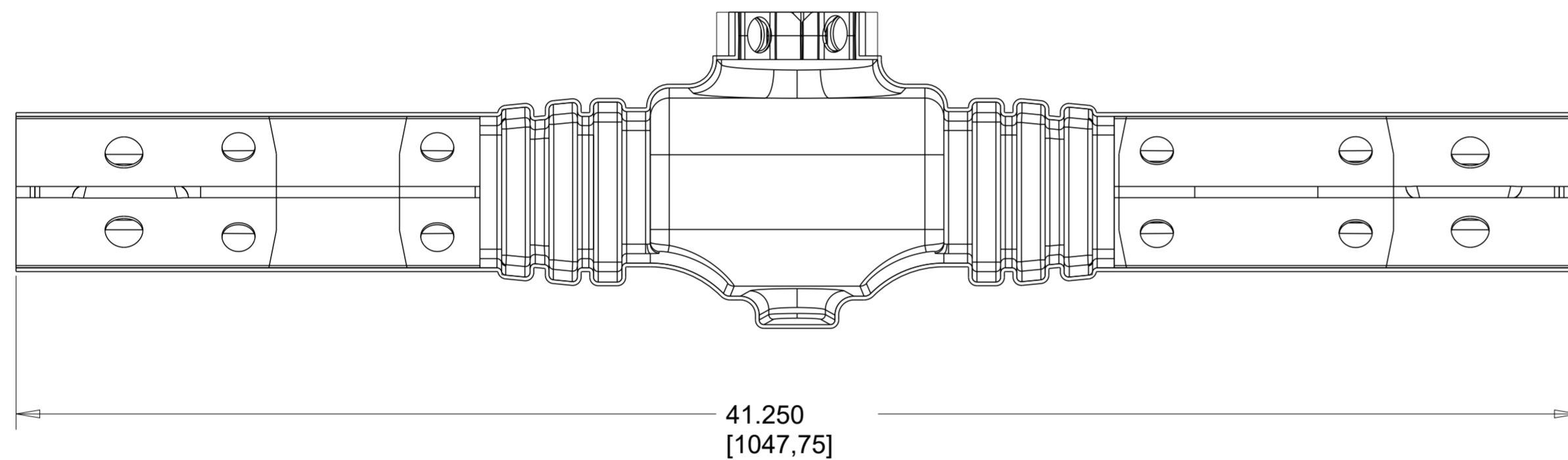
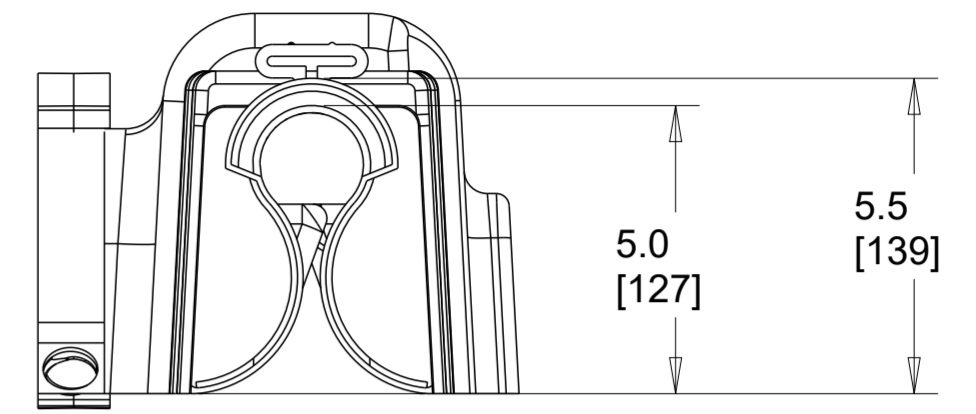
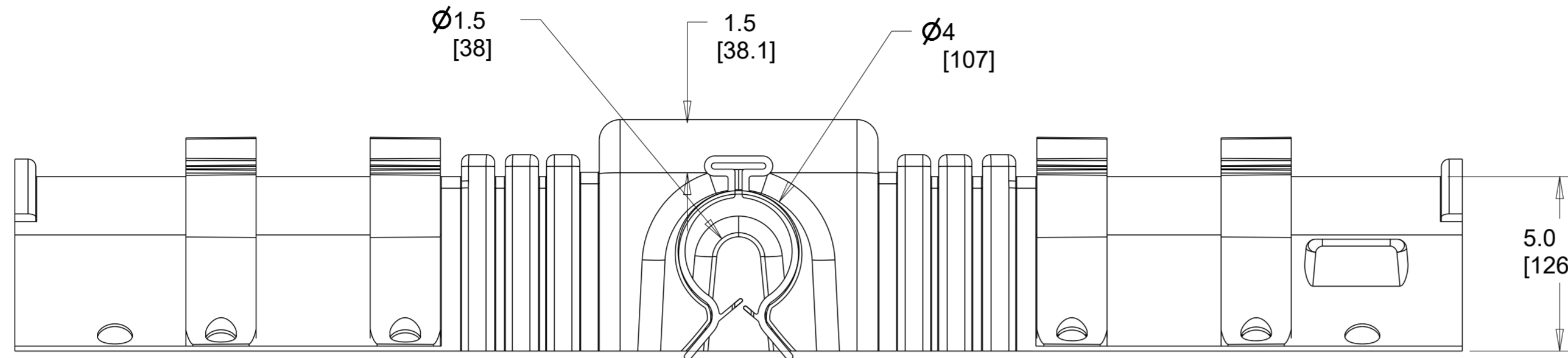


REVISIONS					
P	LTR	DESCRIPTION	DATE	DWN	APVD
A		INITIAL RELEASE	30MAY2020	AS	LH



TCPN
CU6706-000

NOTES:

- 1. PARTS TO BE KITTED 6 PIECES PER BOX.
- 2. PARTS SHALL BE KITTED WITH QTY 3 BCIC-RLP-01, PN CS4643-000.
- 3. PARTS SHALL BE KITTED WITH PII-55420
- 4. EACH BOX SHALL BE LABELLED WITH DESCRIPTION, LOT NUMBER, PART NUMBER
MANUFACTURING DATE AND QUANTITY.

THIS DRAWING IS A CONTROLLED DOCUMENT.		DWN A. SABARAD 30MAY2020		
DIMENSIONS: INCH(MM)		CHK S. LIGHT 30MAY2020		
TOLERANCES UNLESS OTHERWISE SPECIFIED:		APVD L. HILLER 30MAY2020	NAME BCIC-G-HZ-795-XL/LP(B6)	
0 PLC ±		PRODUCT SPEC	SIZE CAGE CODE DRAWING NO RESTRICTED TO	
1 PLC ±0.1		APPLICATION SPEC	A2 00779 C-E00000842	
2 PLC ±0.01		WEIGHT	SCALE NTS SHEET 1 OF 1 REV A	
3 PLC ±0.001				
4 PLC ±0.0001				
ANGLES ±				
FINISH				
MATERIAL				