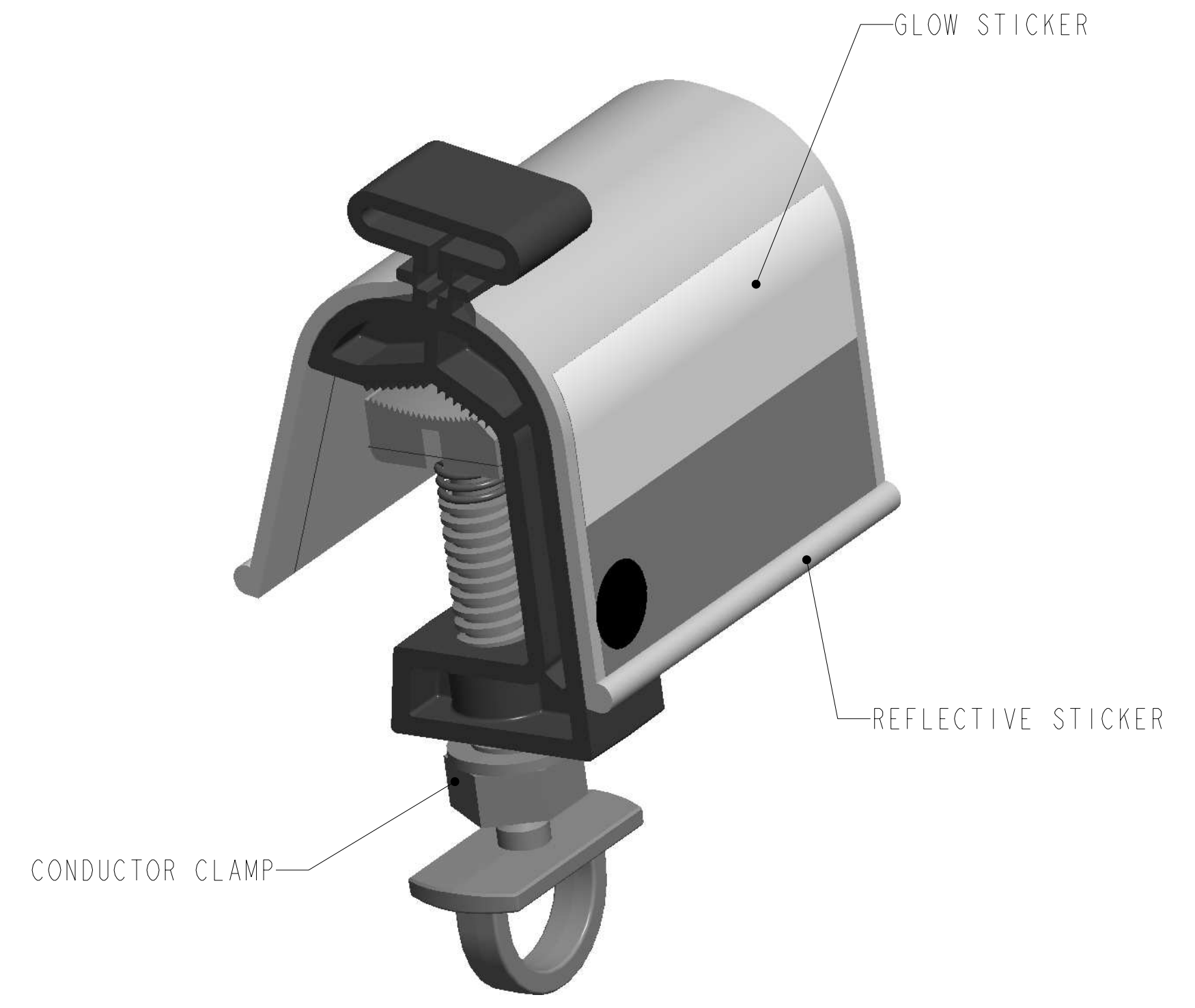
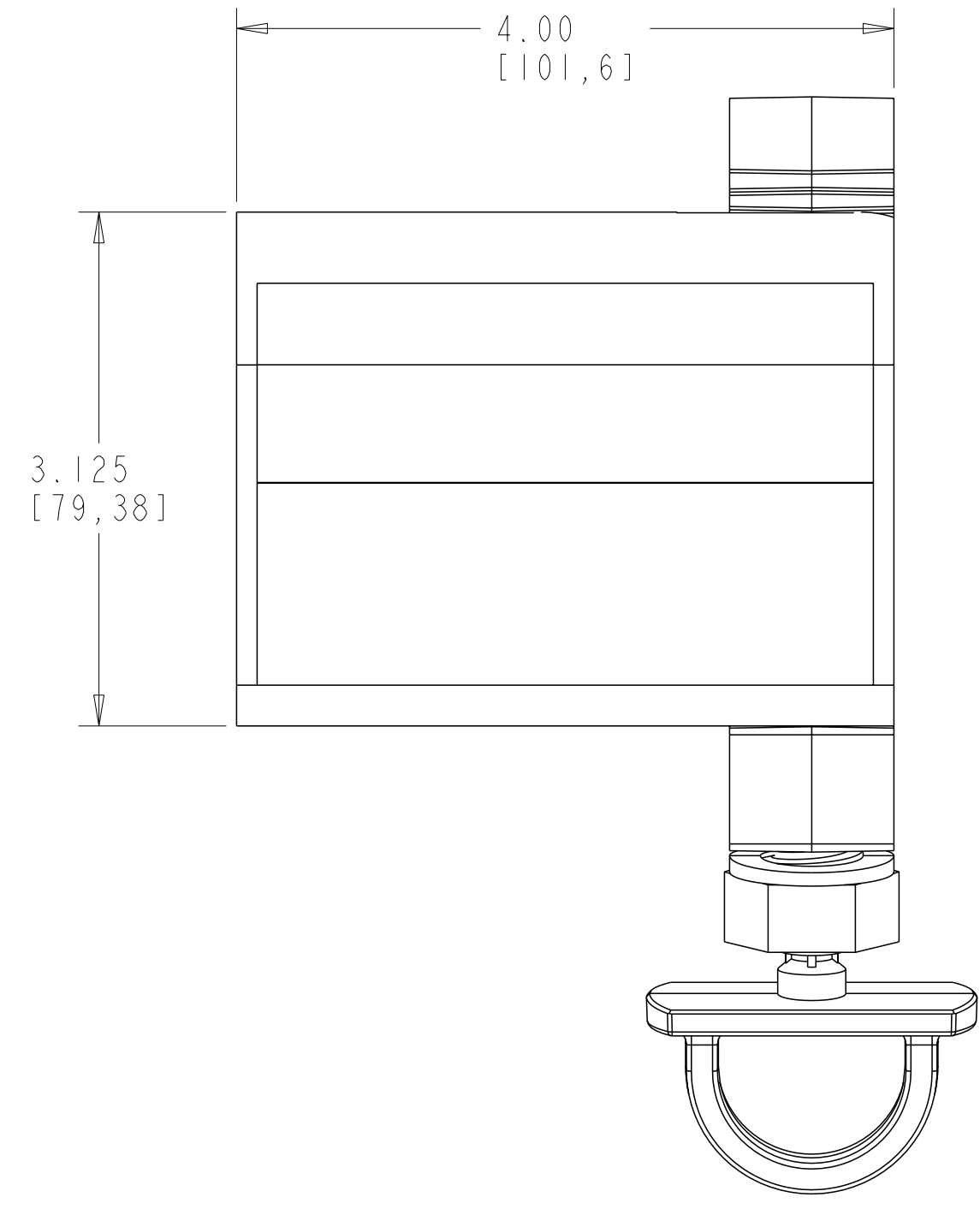
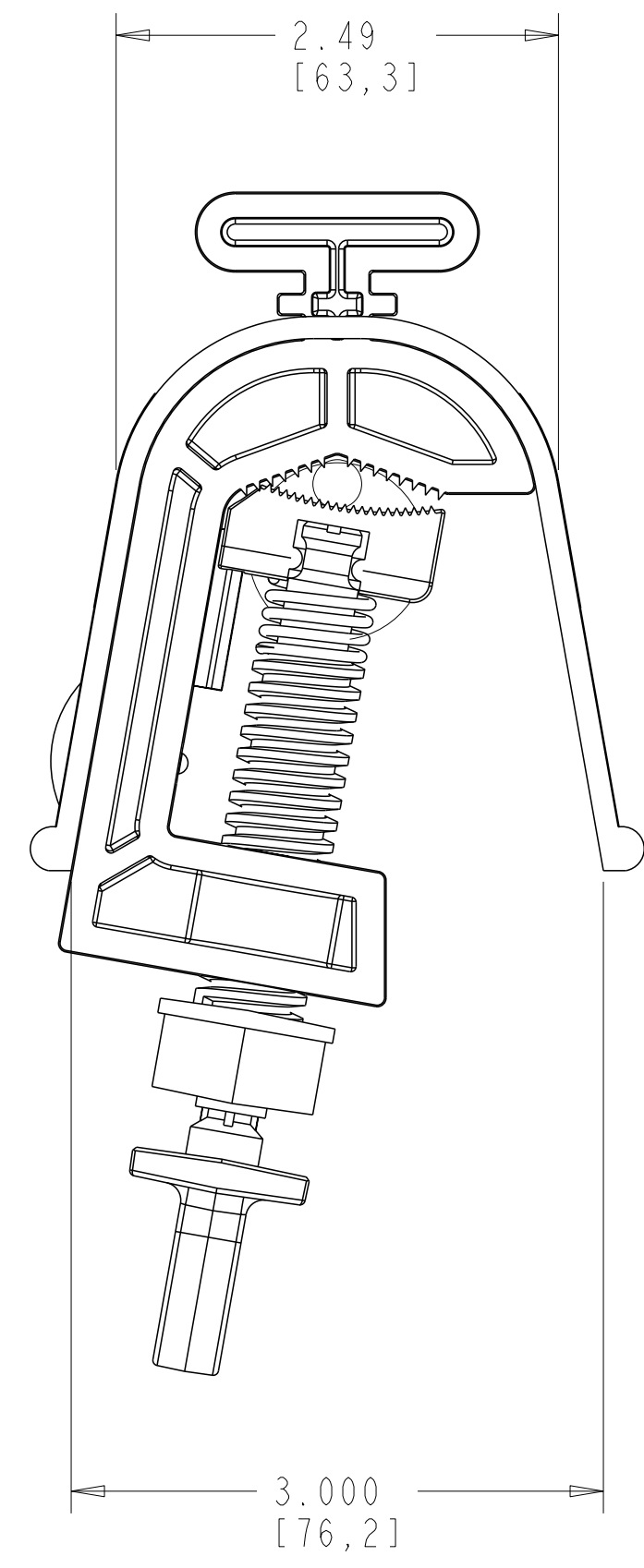


© copyright_date

REVISIONS					
P	LTR	DESCRIPTION	DATE	DWN	APVD
	A	INITIAL RELEASE	18APR2020	AS	LH



NOTES:

1. PARTS SHALL BE KITTED 10 PIECES PER BOX.
2. PART SHALL BE KITTED WITH P11-56341.
3. EACH BOX SHALL BE LABELLED WITH DESCRIPTION, LOT NUMBER, PART NUMBER, MANUFACTURING DATE AND QUANTITY

TCPN
CU7208-000

THIS DRAWING IS A CONTROLLED DOCUMENT.		DWN A. SABARAD 18APR2020	TE Connectivity				
DIMENSIONS: INCH(MM)		CHK S. LIGHT 18APR2020					
TOLERANCES UNLESS OTHERWISE SPECIFIED:		APVD L. HILLER 18APR2020	NAME BCIC-AFD-01(B10)				
0 PLC ± 1 PLC ±0.1 2 PLC ±0.01 3 PLC ±0.001 4 PLC ±0.0001 ANGLES ± FINISH		PRODUCT SPEC -	SIZE A2	CAGE CODE -	DRAWING NO E00000833	RESTRICTED TO -	
MATERIAL -		WEIGHT -	CUSTOMER DRAWING		SCALE NTS	SHEET 1 OF 1	REV A