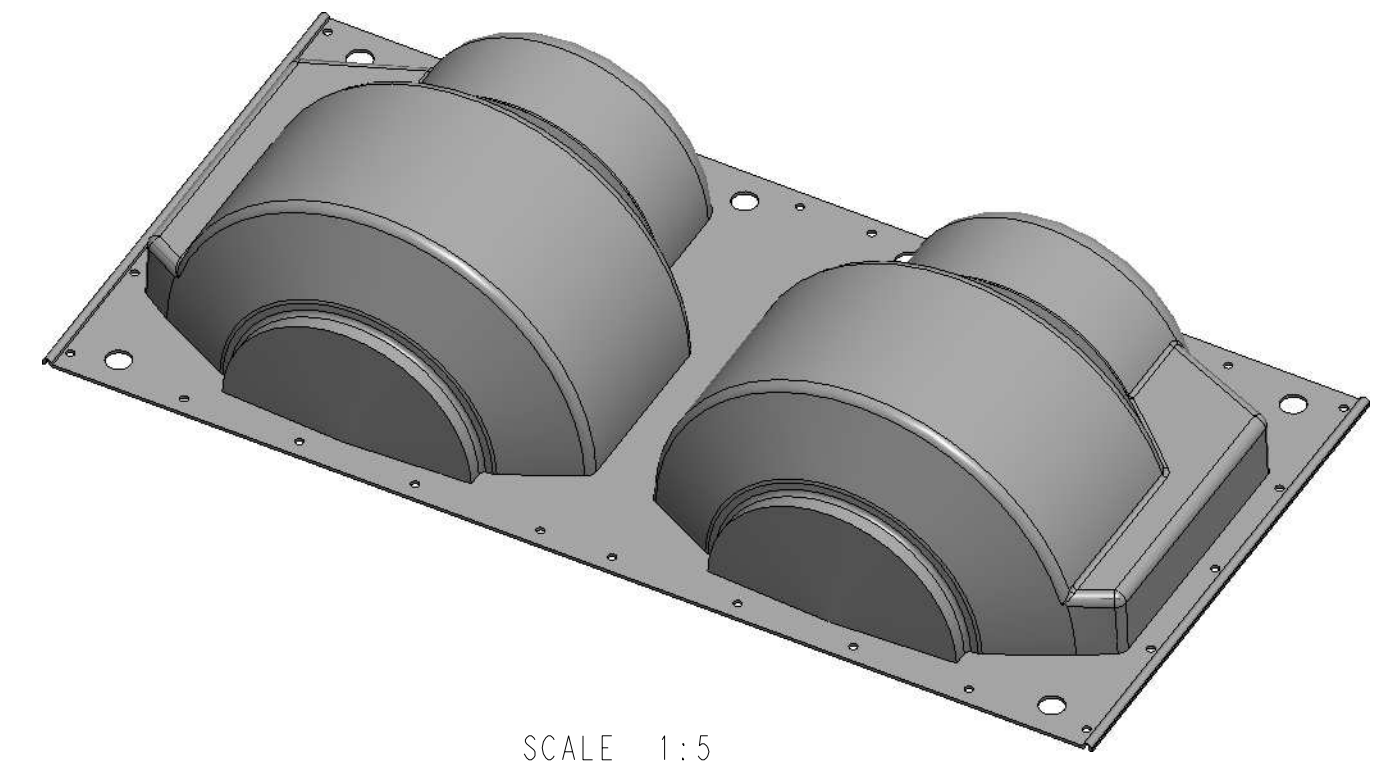
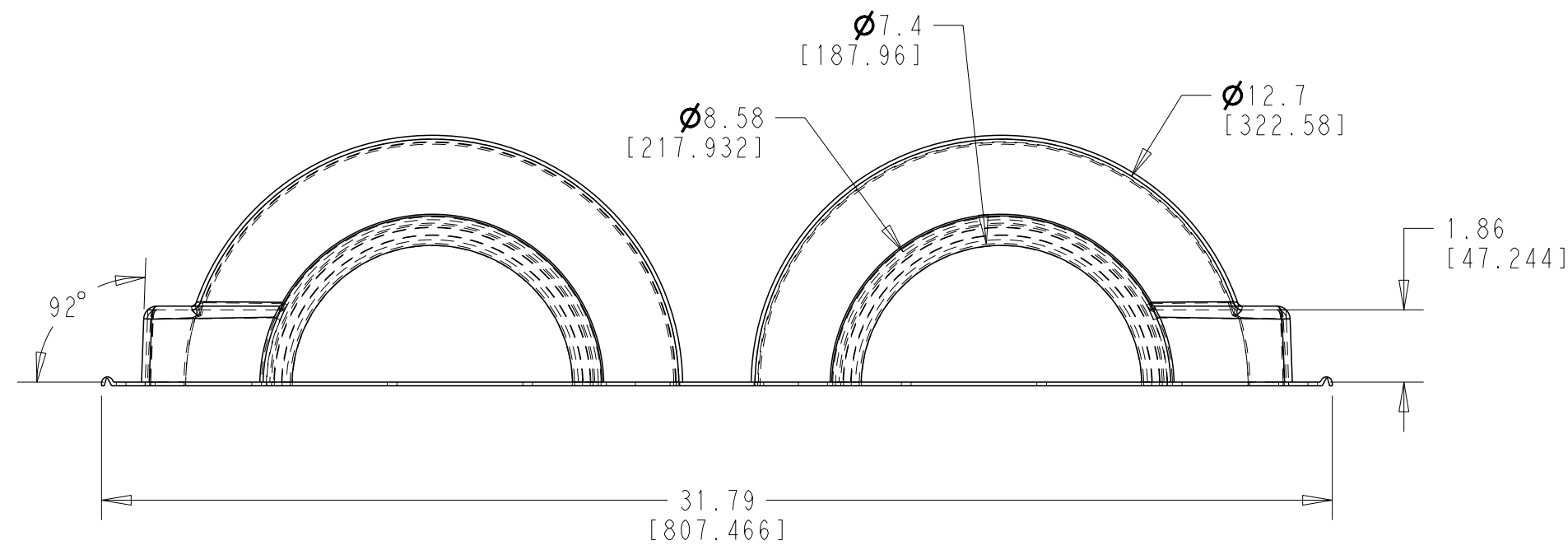
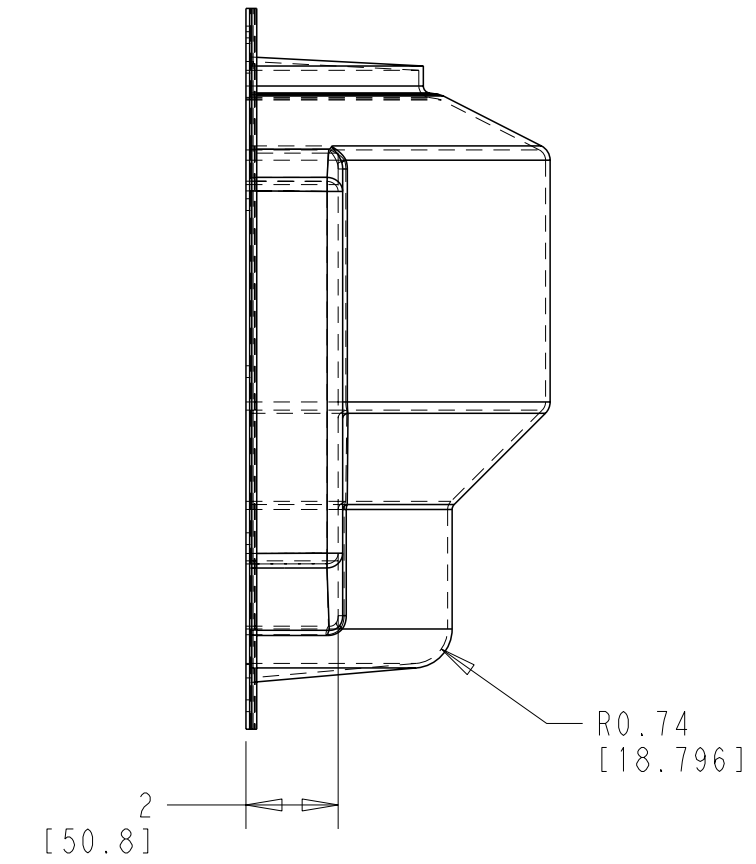
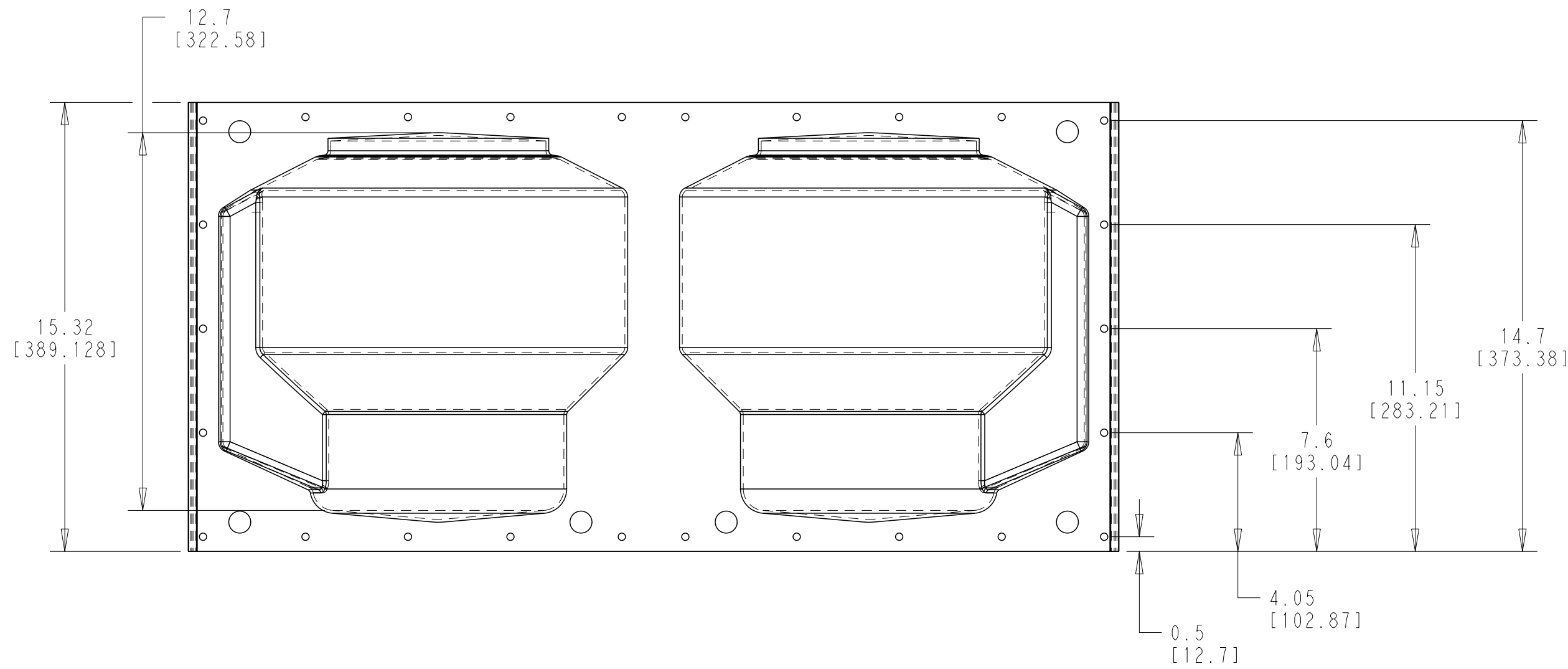


REVISIONS					
P	LTR	DESCRIPTION	DATE	DWN	APVD
A		INITIAL RELEASE	04PR2020	AS	LH
B		TYPO CORRECTION	23NOV2022	HM	LH



SCALE 1:5

TE-PN	DESCRIPTION
953853-000	BCIC-13D/13-HO(B3)
332006-000	BCIC-G-13D/13-HO(B3)

NOTES:

- PARTS SHALL BE KITTED 3 PIECES PER BOX.
- PART SHALL BE KITTED WITH QTY 15 BCIC LATCH, PN 607477-000 & QTY 1 BCIC-CLOSURE-355 PN 458803-000
- EACH BOX SHALL BE LABELLED WITH DESCRIPTION, LOT NUMBER, PART NUMBER, MANUFACTURING DATE AND QUANTITY

THIS DRAWING IS A CONTROLLED DOCUMENT.		DWN A. SABARAD 04PR2020																
DIMENSIONS: INCH[MM]		CHK S. LIGHT 04PR2020																
TOLERANCES UNLESS OTHERWISE SPECIFIED:		APVD L. HILLER 04PR2020	NAME BCIC-13D/13-HO(B3) BCIC-G-13D/13-HO(B3)															
<table border="1"> <tr><td>0 PLC</td><td>±</td></tr> <tr><td>1 PLC</td><td>±.1</td></tr> <tr><td>2 PLC</td><td>±.01</td></tr> <tr><td>3 PLC</td><td>±.001</td></tr> <tr><td>4 PLC</td><td>±.0001</td></tr> <tr><td>ANGLES</td><td>±</td></tr> <tr><td>FINISH</td><td></td></tr> </table>		0 PLC	±	1 PLC	±.1	2 PLC	±.01	3 PLC	±.001	4 PLC	±.0001	ANGLES	±	FINISH		PRODUCT SPEC	SIZE	
0 PLC	±																	
1 PLC	±.1																	
2 PLC	±.01																	
3 PLC	±.001																	
4 PLC	±.0001																	
ANGLES	±																	
FINISH																		
MATERIAL		APPLICATION SPEC	CAGE CODE															
		WEIGHT	DRAWING NO															
		CUSTOMER DRAWING	RESTRICTED TO															
		SCALE 1:4	SHEET 1 OF 1															
			REV B															