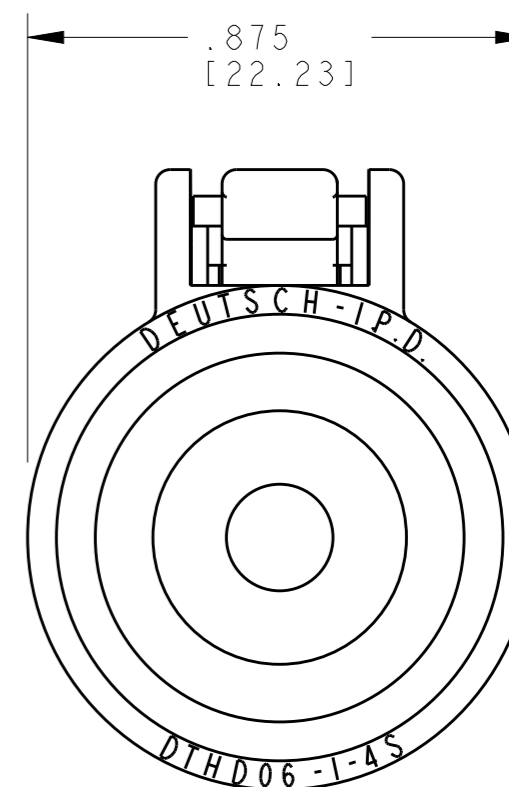
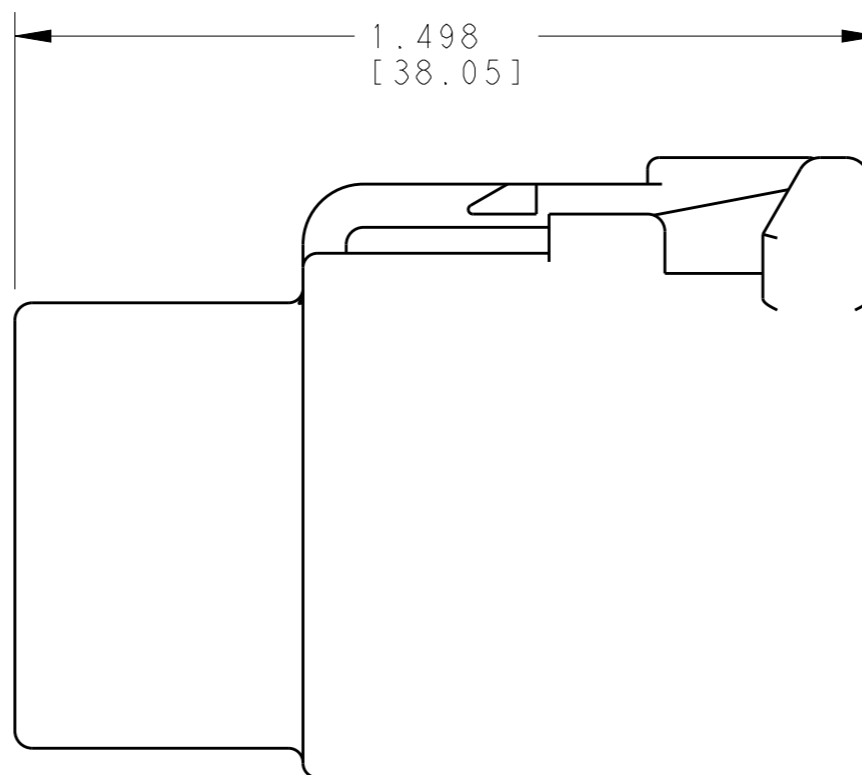
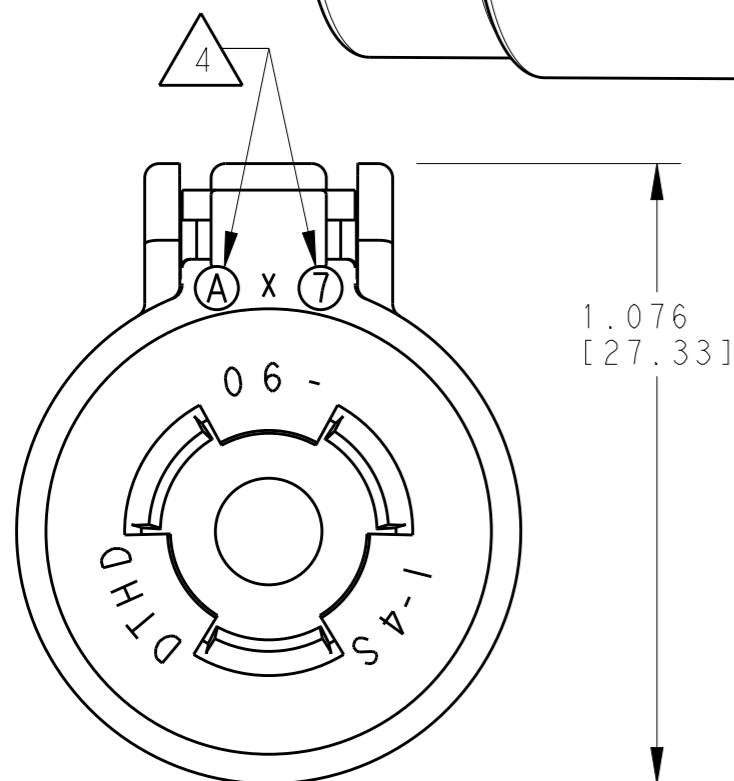
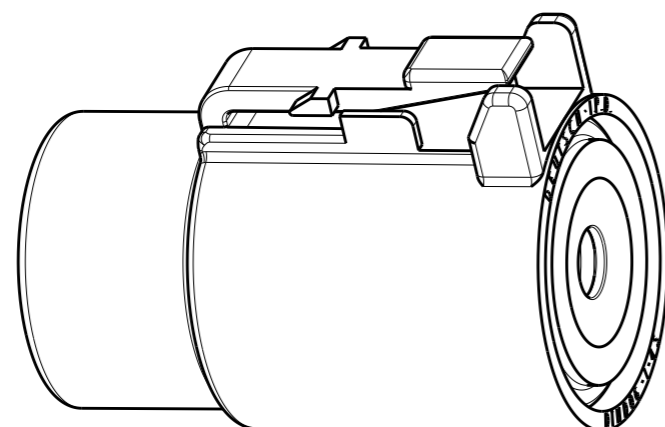


REVISIONS

P	LTR	DESCRIPTION	DATE	DWN	APVD
	A1	REVISED PER PCN E-18-015129	13DEC2018	SS	DM



4 DATE CODE: MONTH IS REPRESENTED BY SEQUENTIAL ALPHA CHARACTERS. EX: A = JANUARY. YEAR IS REPRESENTED BY LAST NUMERIC DIGIT. EX: 7 = 2007.

3 MATERIAL: PLUG: PEI (BLACK); INTERFACE SEAL: VMQ (RED-ORANGE)

2. THIS PLUG MATES WITH DTHD04-1-4P-XXXX RECEPTACLE. (XXXX = ALL MODIFICATIONS)

1. FOR CONTACT AND WIRE PERFORMANCE AND APPLICATION CHARACTERISTIC SEE CUSTOMER DRAWING 0425-015-0000.

NOTES: UNLESS OTHERWISE SPECIFIED.

TE INTERNAL PN	DEUTSCH PN
DTHD06-1-4S	DTHD06-1-4S

WIRE INSULATION DIA			
CONTACT SIZE	MINIMUM O.D.	MAXIMUM O.D.	WIRE RANGE [mm ²] REF. ONLY
4	.261 [6.63]	.420 [10.67]	4 AWG [21.0]

THIS DRAWING IS A CONTROLLED DOCUMENT.		DWN V. TONSA 09JUN2004	TE TE Connectivity	
DIMENSIONS: INCHES [mm]		CHK D. MEYER 10JUN2004		
TOLERANCES UNLESS OTHERWISE SPECIFIED:		APVD D. MEYER 21JUN2004	NAME PLUG #4 HD CONTACT DTHD SERIES COLOR: BLACK	
0 PLC ±-		PRODUCT SPEC -	SIZE A3	
1 PLC ±-		APPLICATION SPEC -	CAGE CODE 4AFU8	DRAWING NO. DTHD06-1-4S
2 PLC ±-		WEIGHT 11 g	RESTRICTED TO	
3 PLC ±.025 [0.64]		CUSTOMER DRAWING	SCALE 3:1	SHEET 1 OF 1
4 PLC ±-			REV A1	
ANGLES ±0°30'0"				
MATERIAL 3	FINISH -			