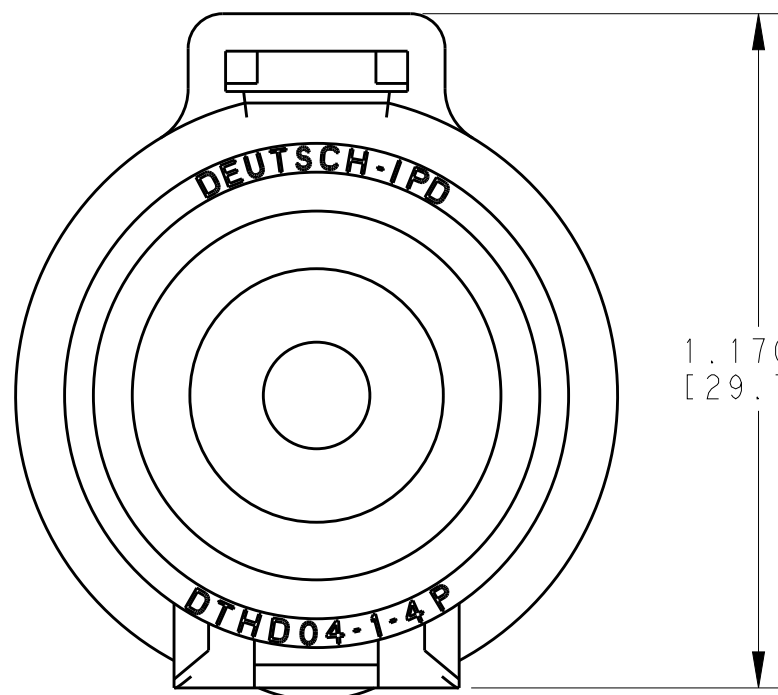
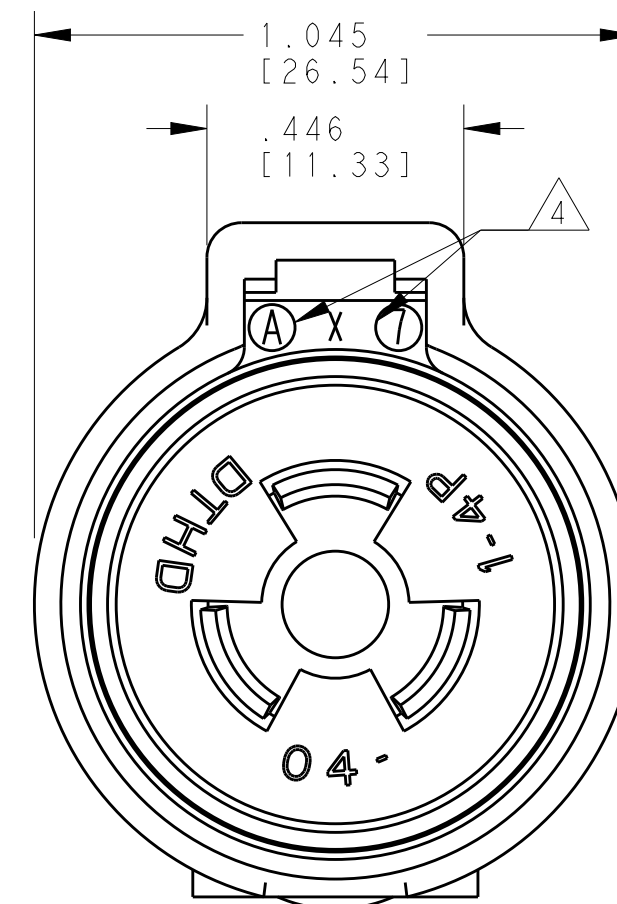
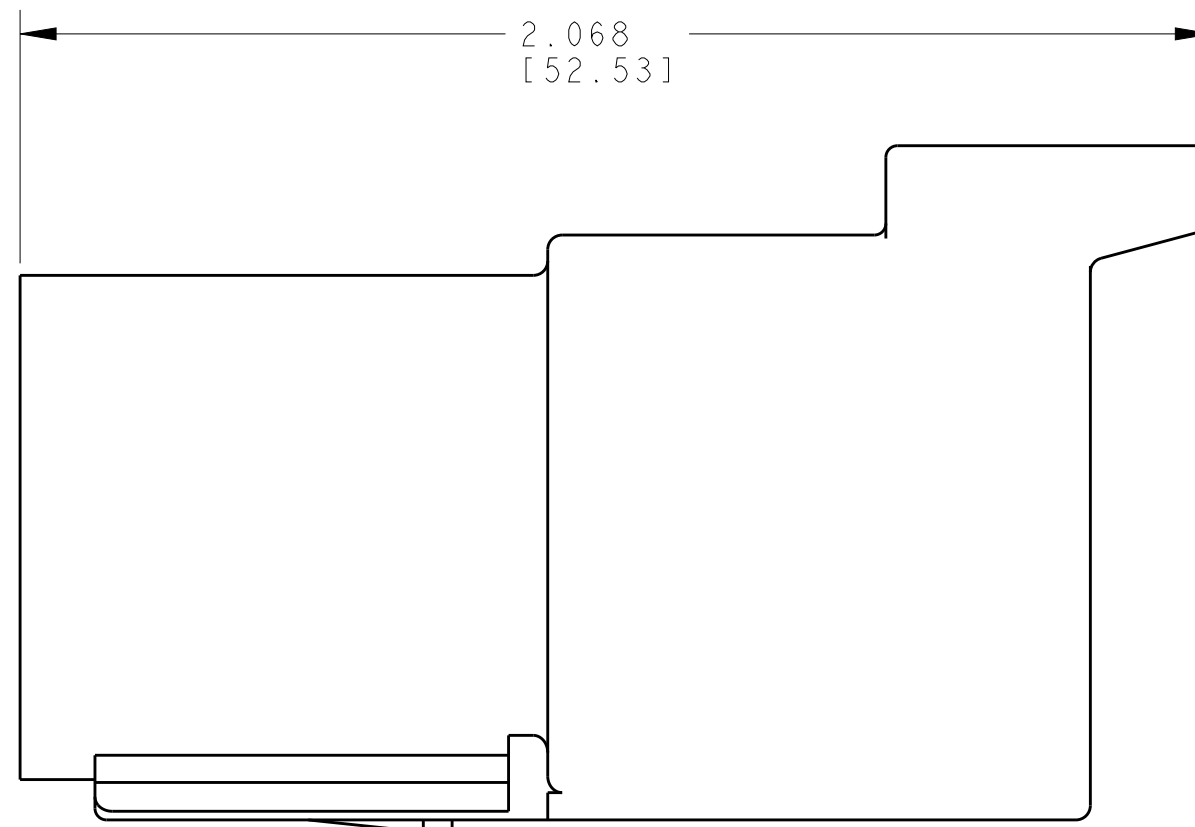
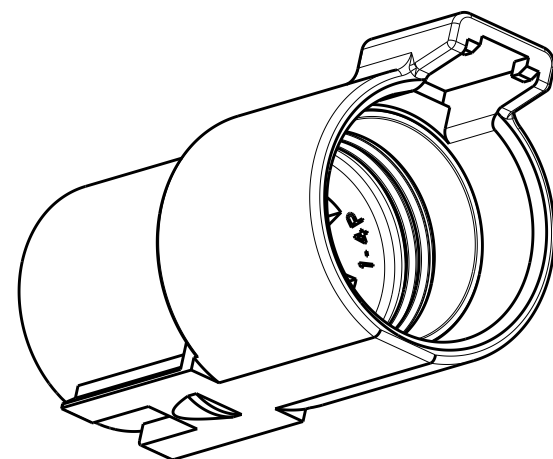


THIS DRAWING IS UNPUBLISHED  
RELEASED FOR PUBLICATION 2018  
COPYRIGHT 2018 BY - TE CONNECTIVITY ALL RIGHTS RESERVED.

REVISIONS					
P	LTR	DESCRIPTION	DATE	DWN	APVD
	C1	REVISED PER PCN E-18-015129	13DEC2018	SS	DM



TE INTERNAL PN	DEUTSCH PN
DTHD04-1-4P	DTHD04-1-4P

WIRE INSULATION DIA			
CONTACT SIZE	MINIMUM O.D.	MAXIMUM O.D.	WIRE RANGE [mm <sup>2</sup> ] REF. ONLY
4	.261 [6.63]	.420 [10.67]	4 AWG [21.0]

4 DATE CODE: MONTH IS REPRESENTED BY SEQUENTIAL ALPHA CHARACTERS. EX: A = JANUARY. YEAR IS REPRESENTED BY LAST NUMERIC DIGIT. EX: 7 = 2007.

3 MATERIAL: RECEPTACLE: PEI (BLACK); WELD RING: PEI (BLACK); INTERFACE SEAL: VMQ (RED-ORANGE)

2. THIS RECEPTACLE MATES WITH DTHD06-1-4S-XXXX PLUG. (XXXX = ALL MODIFICATIONS)

1. FOR CONTACT AND WIRE PERFORMANCE AND APPLICATION CHARACTERISTIC SEE CUSTOMER DRAWING 0425-015-0000.

NOTES: UNLESS OTHERWISE SPECIFIED.

THIS DRAWING IS A CONTROLLED DOCUMENT.		DWN R. OCHOA 08MAR1999		
DIMENSIONS: INCHES [mm]		CHK D. MEYER 20JUN2004		
TOLERANCES UNLESS OTHERWISE SPECIFIED:		APVD D. MEYER 21JUN2004	NAME RECEPTACLE #4 HD CONTACT	
0 PLC ±-		PRODUCT SPEC -	DTHD SERIES	
1 PLC ±-		APPLICATION SPEC -	COLOR: BLACK	
2 PLC ±-		WEIGHT 14.2 g	SIZE A3	CAGE CODE 4AFU8
3 PLC ±.025 [0.64]		CUSTOMER DRAWING	DRAWING NO. DTHD04-1-4P	
4 PLC ±-			RESTRICTED TO	SCALE 3:1
ANGLES ±0°30'0"			REV C1	
MATERIAL 3	FINISH -			