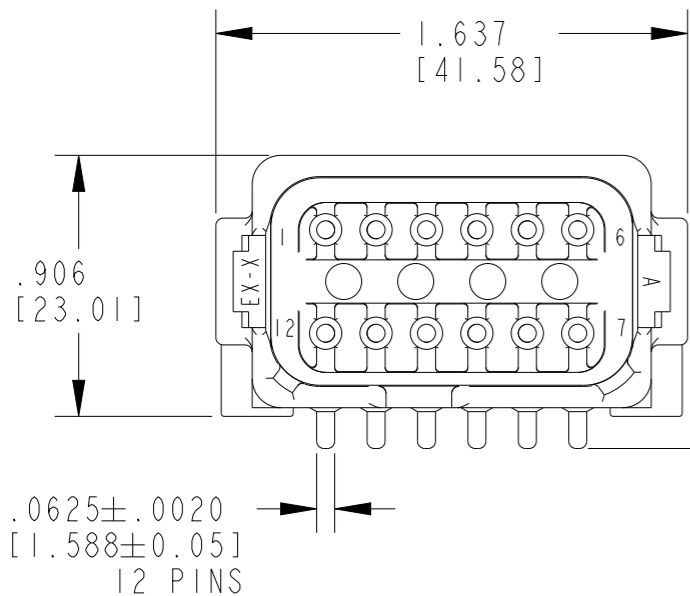
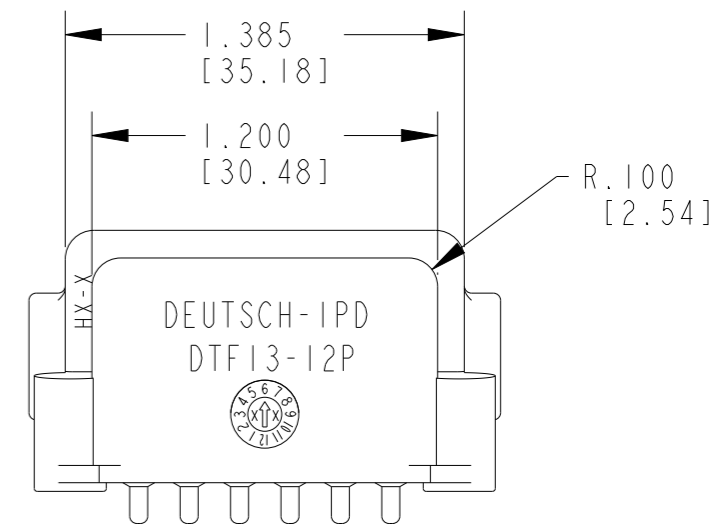
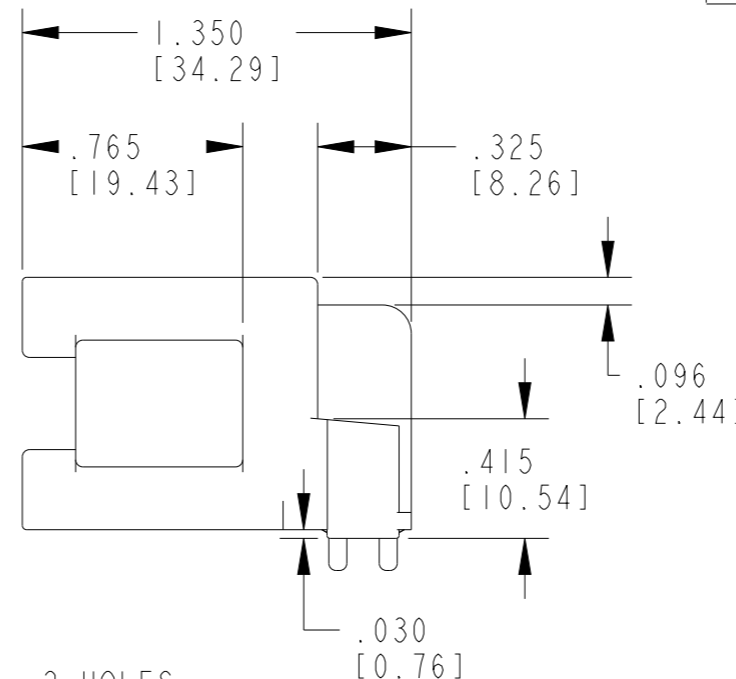


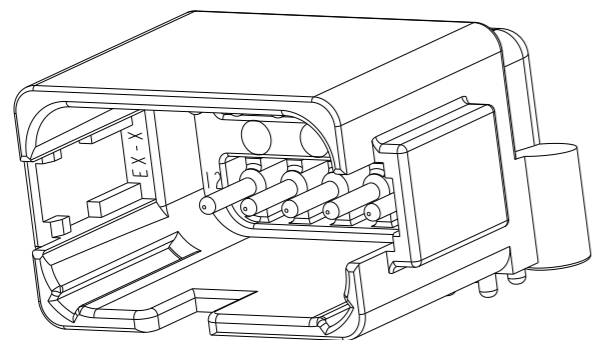
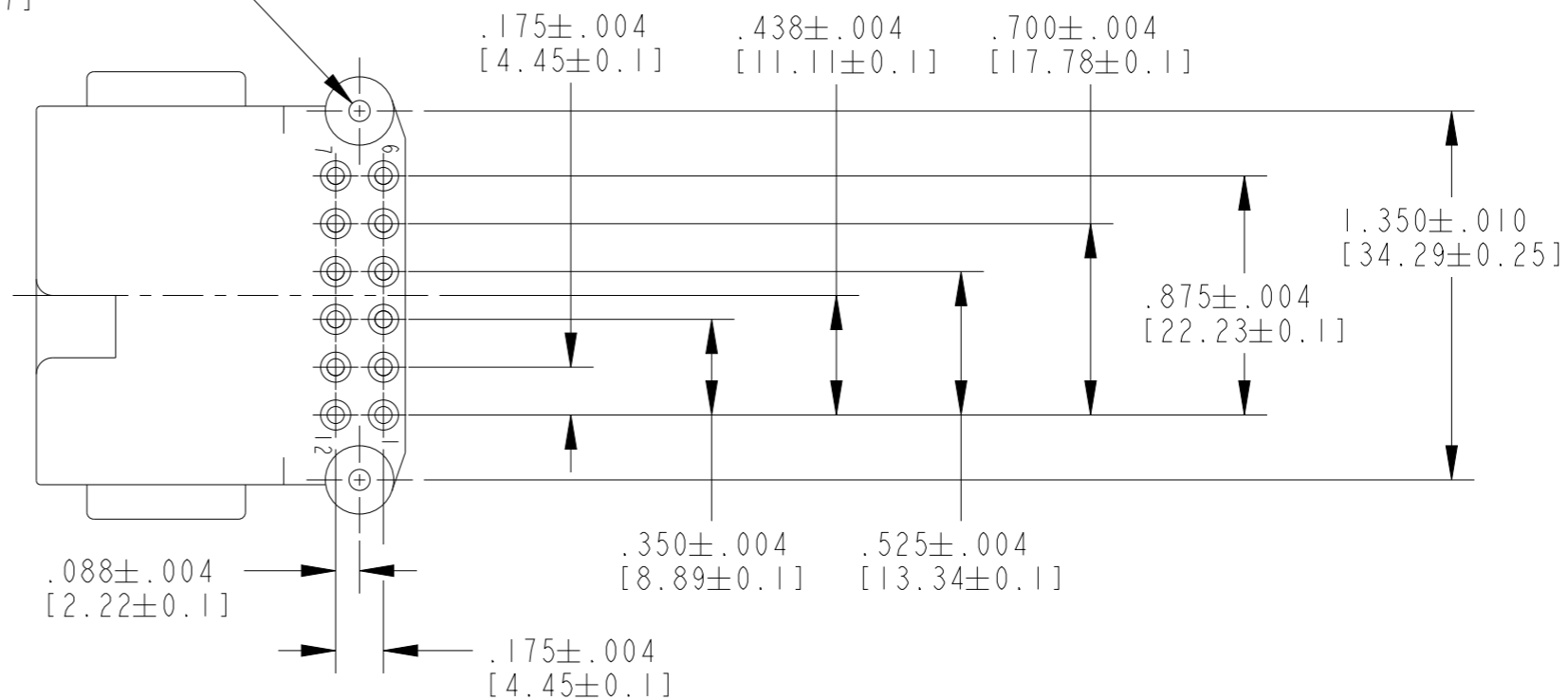
| P | LTR | DESCRIPTION | DATE | DWN | APVD |
|---|-----|-----------------|-----------|-----|------|
| A | | INITIAL RELEASE | 16JUL2021 | DRK | IG |



.112±.015
[2.83±0.38]
12 PINS



4 \varnothing .077±.003 [1.96±0.07]
X 8.89 DP [.350]
2 HOLES



4 RECOMMENDED SCREW: 2-28 [M2.26X0.91]. PLASTITE 48, SINGLE HELIX.
RECOMMENDED TORQUE: 0.75-1.5 IN-LB [0.08-0.16 N-m].

3. THE RECEPTACLE MATES WITH DT06-12X-XXXX PLUG
(X = A,B,C,D KEYS; XXXX: ALL MODIFICATIONS)
CONSULT FACTORY FOR MODIFICATIONS

2. PIN PLATING: TIN OVER NICKLE OVER COPPER UNDERPLATE (Sn/Ni/Cu) ENTIRE LENGTH OF PIN
(RoHS COMPLIANT)

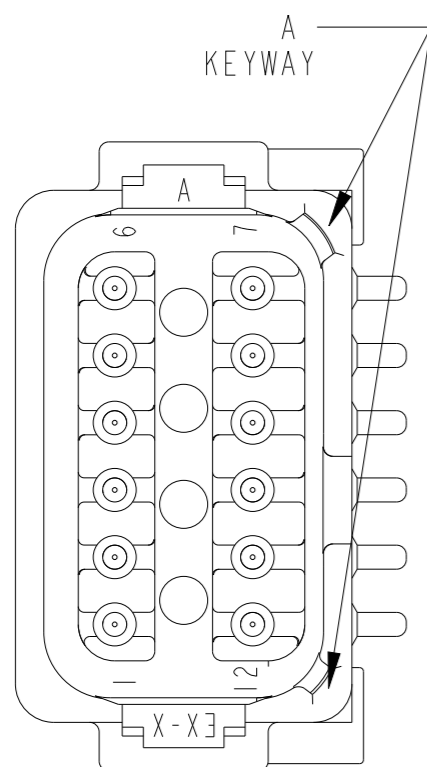
1 MATERIAL: HOUSING - PA46 GF30 (SEE SHEET 2 FOR COLORS)
PINS - COPPER ALLOY.

NOTES:

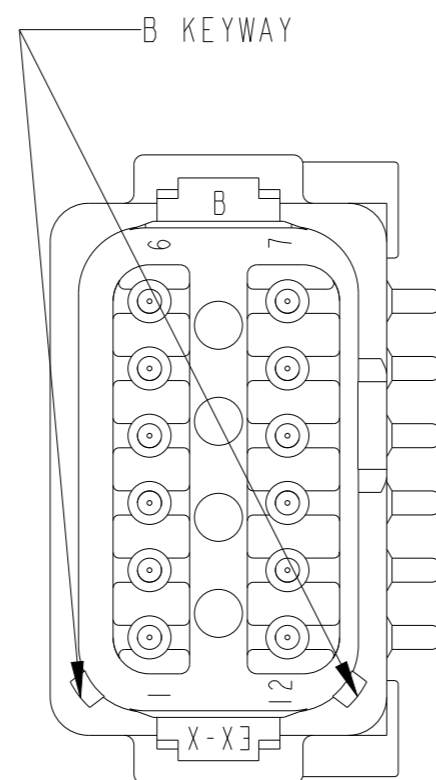
| | | | | | | | | | | | | | | | | | | |
|--|----|---|--|--|----|-------|----|-------|----|-------|----|-------|----|--------|---|--------------|--|------|
| THIS DRAWING IS A CONTROLLED DOCUMENT. | | DWN 01JUL2021 D R KARTHIK | | | | | | | | | | | | | | | | |
| | | CHK 15JUL2021 DHAVAL BARAD | | | | | | | | | | | | | | | | |
| DIMENSIONS: INCHES [mm] | | TOLERANCES UNLESS OTHERWISE SPECIFIED: ±0.015 [0.38mm] | | NAME 12 WAY RECEPTACLE FLANGELESS KEY ARRANGEMENTS A, B, C AND D 90 DEG, DTF SERIES | | | | | | | | | | | | | | |
| | | <table border="1"> <tr><td>0 PLC</td><td>±-</td></tr> <tr><td>1 PLC</td><td>±-</td></tr> <tr><td>2 PLC</td><td>±-</td></tr> <tr><td>3 PLC</td><td>±-</td></tr> <tr><td>4 PLC</td><td>±-</td></tr> <tr><td>ANGLES</td><td>±</td></tr> </table> | | 0 PLC | ±- | 1 PLC | ±- | 2 PLC | ±- | 3 PLC | ±- | 4 PLC | ±- | ANGLES | ± | PRODUCT SPEC | | SIZE |
| 0 PLC | ±- | | | | | | | | | | | | | | | | | |
| 1 PLC | ±- | | | | | | | | | | | | | | | | | |
| 2 PLC | ±- | | | | | | | | | | | | | | | | | |
| 3 PLC | ±- | | | | | | | | | | | | | | | | | |
| 4 PLC | ±- | | | | | | | | | | | | | | | | | |
| ANGLES | ± | | | | | | | | | | | | | | | | | |
| MATERIAL | | FINISH | | APPLICATION SPEC | | | | | | | | | | | | | | |
| | | - | | WEIGHT | | | | | | | | | | | | | | |
| | | - | | CUSTOMER DRAWING | | | | | | | | | | | | | | |
| | | - | | SCALE 3:2 | | | | | | | | | | | | | | |
| | | - | | SHEET 1 OF 2 | | | | | | | | | | | | | | |
| | | - | | REV A | | | | | | | | | | | | | | |

REVISIONS

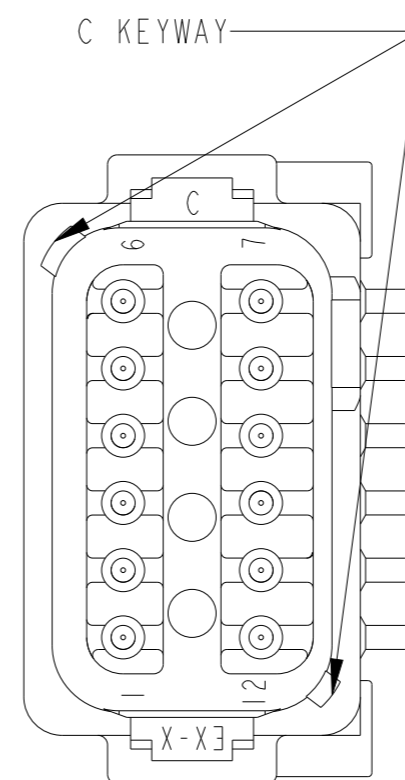
| P | LTR | DESCRIPTION | DATE | DWN | APVD |
|---|-----|-------------|------|-----|------|
| | - | SEE SHEET 1 | - | - | - |
| | | | | | |
| | | | | | |



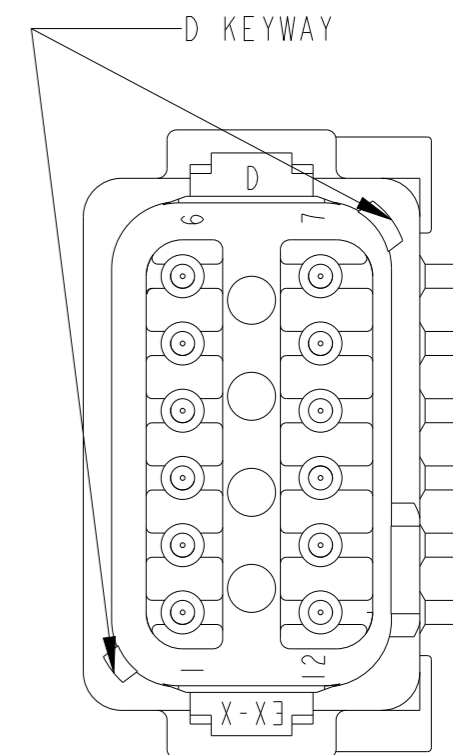
DTF13-12PA
COLOR: GREY



DTF13-12PB
COLOR: BLACK



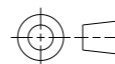
DTF13-12PC
COLOR: GREEN



DTF13-12PD
COLOR: BROWN

THIS DRAWING IS A CONTROLLED DOCUMENT.

DIMENSIONS:
INCHES [mm]



TOLERANCES UNLESS OTHERWISE SPECIFIED:
±0.015 [0.38mm]

| | |
|--------|---|
| 0 PLC | ± |
| 1 PLC | ± |
| 2 PLC | ± |
| 3 PLC | ± |
| 4 PLC | ± |
| ANGLES | ± |

MATERIAL



FINISH

-

DWN 01 JUL 2021

D R KARTHIK

CHK 15 JUL 2021

DHAVAL BARAD

APVD 16 JUL 2021

CHINMAY BHATT P

PRODUCT SPEC

-

APPLICATION SPEC

-

WEIGHT

-

CUSTOMER DRAWING



TE Connectivity

NAME
12 WAY RECEPTACLE FLANGELESS
KEY ARRANGEMENTS A, B, C AND D
90 DEG, DTF SERIES

SIZE CAGE CODE DRAWING NO RESTRICTED TO

A3 11139 C-DTF13-12PX -

SCALE 2:1 SHEET 2 OF 2 REV A