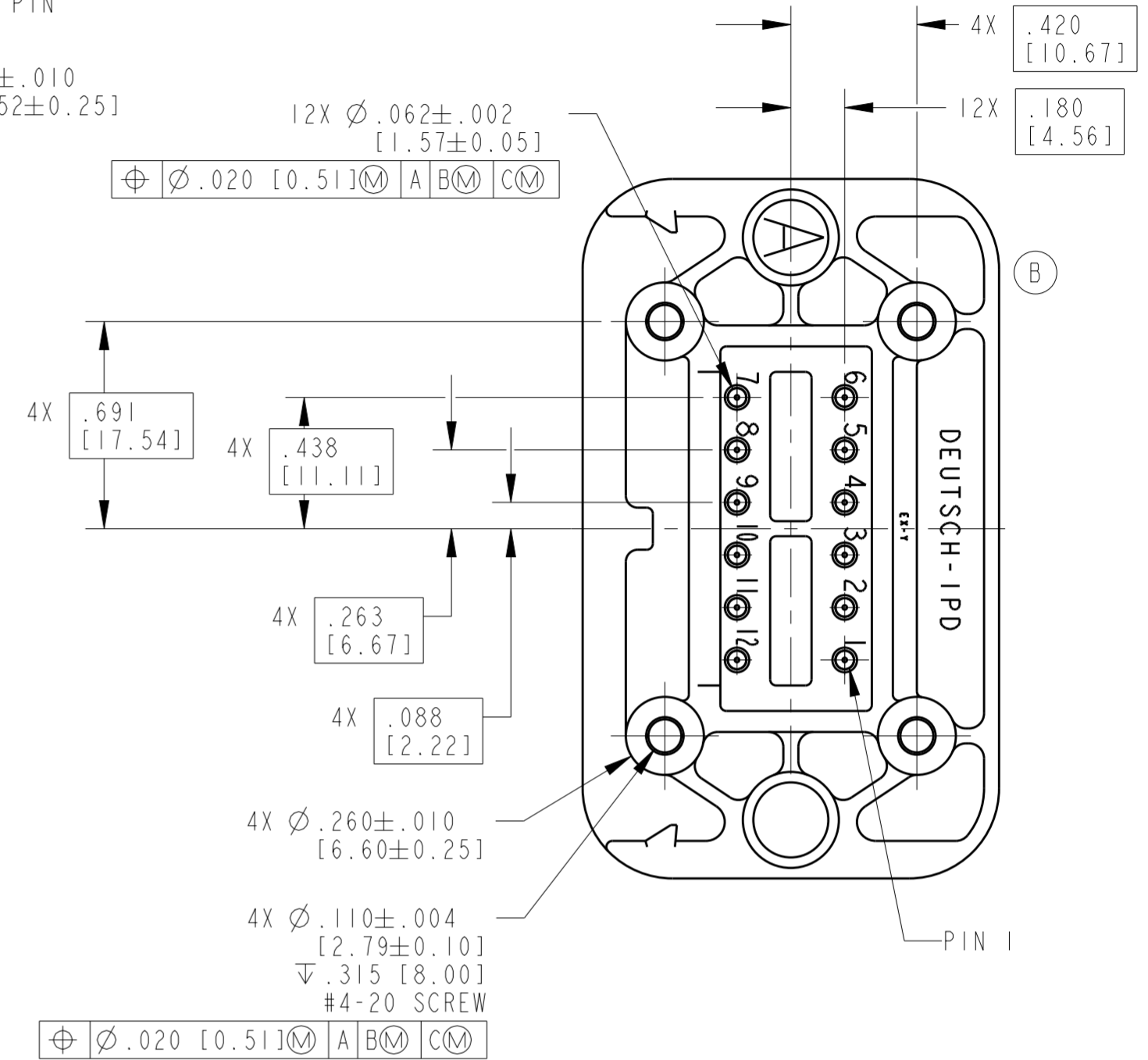
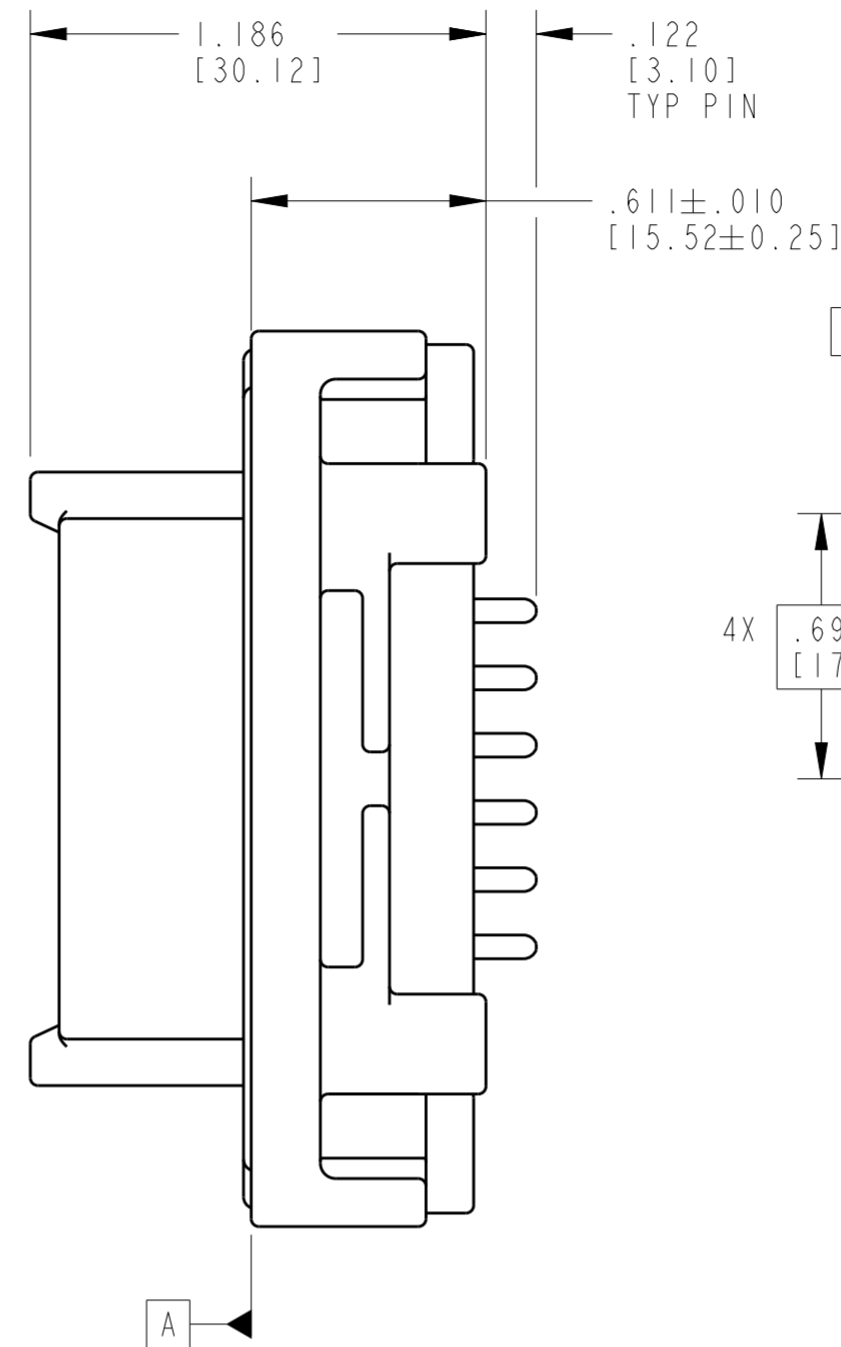
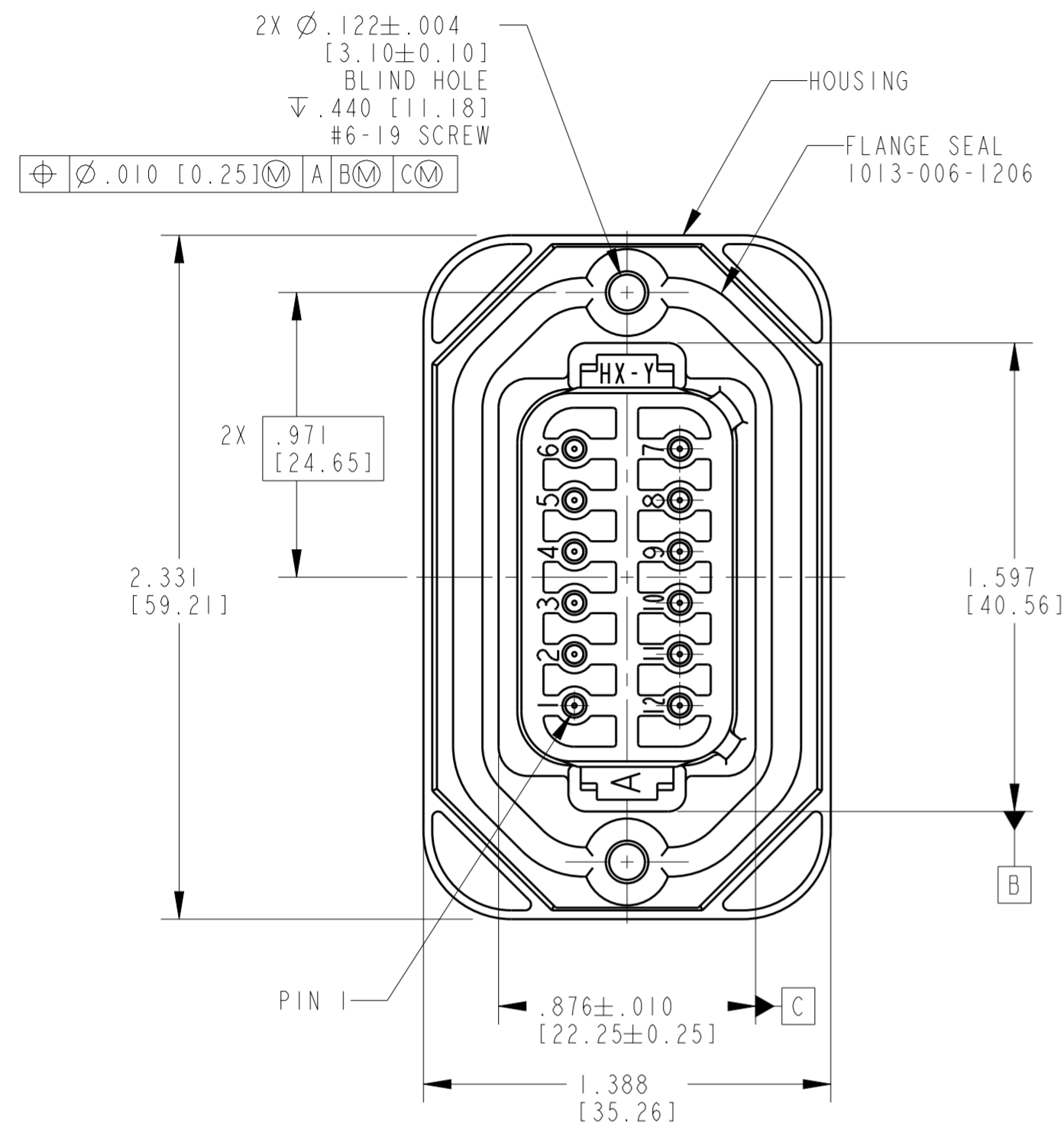
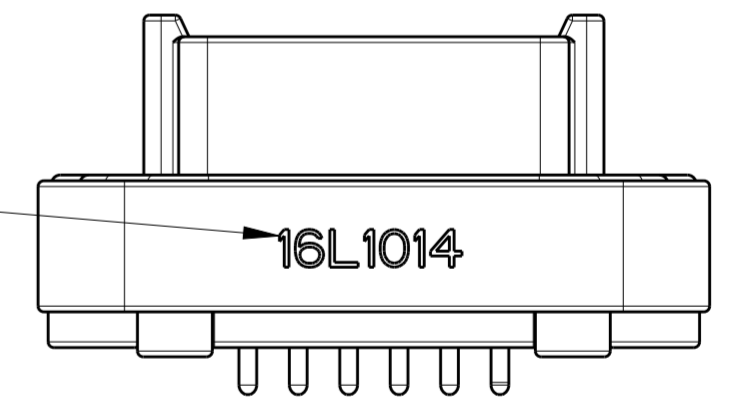


THIS DRAWING IS UNPUBLISHED. RELEASED FOR PUBLICATION 2017
 © COPYRIGHT 2017 BY - ALL RIGHTS RESERVED.

REVISIONS				
P	LTR	DESCRIPTION	DATE	APVD
A1		REVISED PER PCN :E-17-005783	07APR2017	CM DM
B		REVISED PER PCN :E-17-013520	26JUL2017	DD DM
B1		REVISED PER PCN :E-20-011899	21AUG2020	DB IG



7 DIGIT DATECODE
 YEAR: FIRST AND SECOND DIGITS. (16 = 2016)
 MONTH: THRID DIGIT, EXCLUDING 1. A = JAN.,
 B = FEB., C = MARCH... (L = NOVEMBER)
 DAY: FOURTH AND FIFTH DIGITS (10 = 10th DAY)
 HOUR: SIXTH AND SEVENTH DIGITS (14 = 2-3PM)



SCALE 3:2

TE INTERNAL PN	DEUTSCH PN
DT15-12PA-G003	DT15-12PA-G003
DT15-12PB-G003	DT15-12PB-G003
DT15-12PC-G003	DT15-12PC-G003
DT15-12PD-G003	DT15-12PD-G003

9 ALTERNATE HOUSING DESIGN RELATED TO MOLDING TOOL.

8 MOUNTING SURFACE SPECIFICATIONS:
 SURFACE FINISH: 32 µin [0.81 µm] Ra OR LESS
 FLATNESS: .005 in/in [0.13 mm/mm] MAX

7. SEE SHEET 2 FOR RECOMMENDED PANEL CUTOUTS.

6. SEE SHEET 3 FOR OTHER KEY ARRANGEMENTS.

5. MOUNTING SCREW TORQUE VALUES ARE AS FOLLOWS:
 #6-19 SCREWS: 11-13 IN-LB [1.24-1.46 N-m].
 #4-20 SCREWS: 4-9 IN-LB [.45-1.01 N-m].
 VALUES VALID FOR PLASTITE 48 SCREWS ONLY.

4. RECOMMENDED MOUNTING SCREWS (NOT INCLUDED): CAMCAR PLASTITE 48, SINGLE HELIX.

3. THIS RECEPTACLE MATES WITH DT06-12SX PLUG (X = A,B,C,D KEYS, XXXX = ALL MODIFICATIONS).

2. CONTACT PLATING - MATING SIDE: GOLD; PCB SIDE: TIN

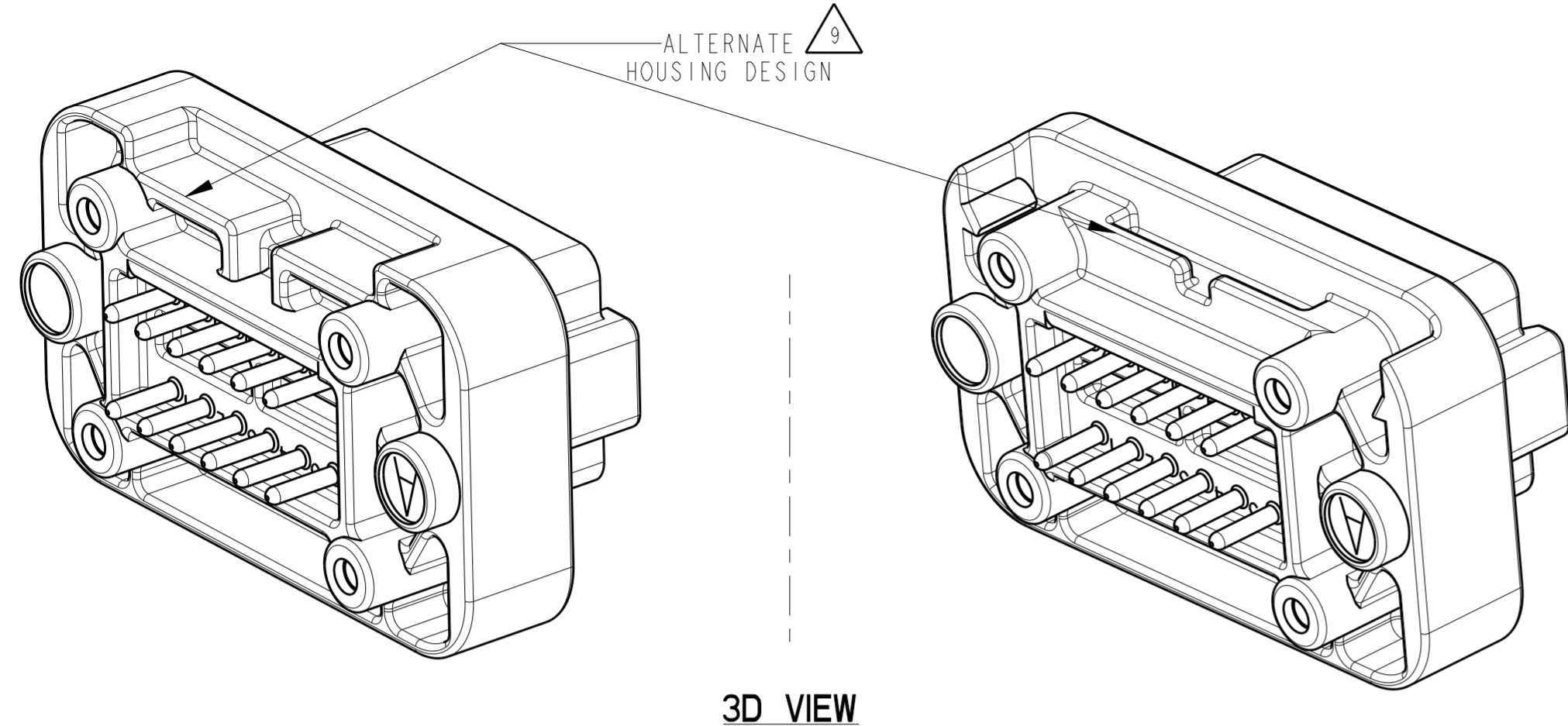
1 MATERIALS:
 HOUSING & PIN ALIGNMENT PLATE: PA46 GF30 (SEE SHEET 3 FOR COLORS)
 FLANGE SEAL: VMQ (RED-ORANGE)
 PIN CONTACTS: COPPER ALLOY

NOTES:

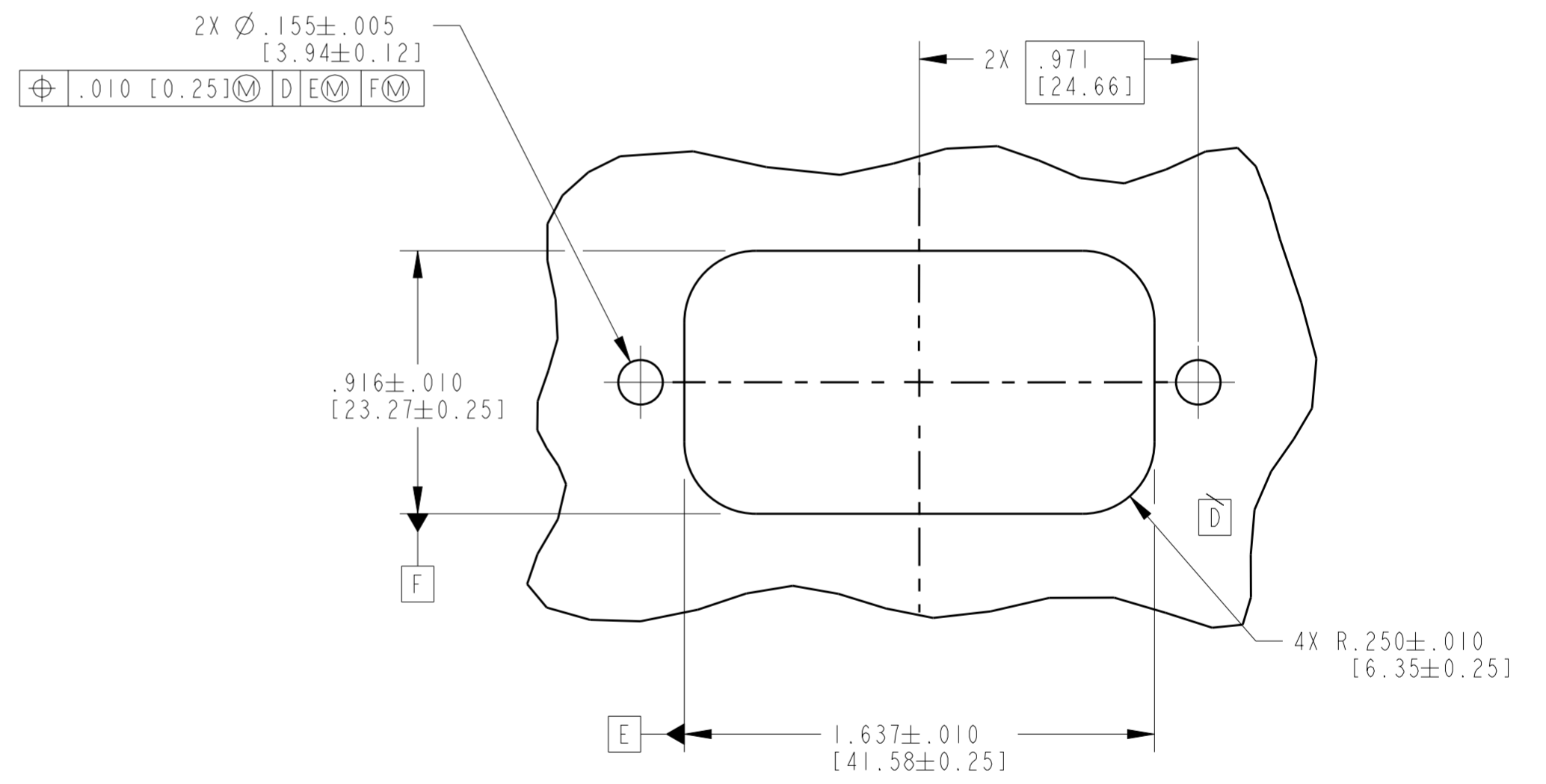
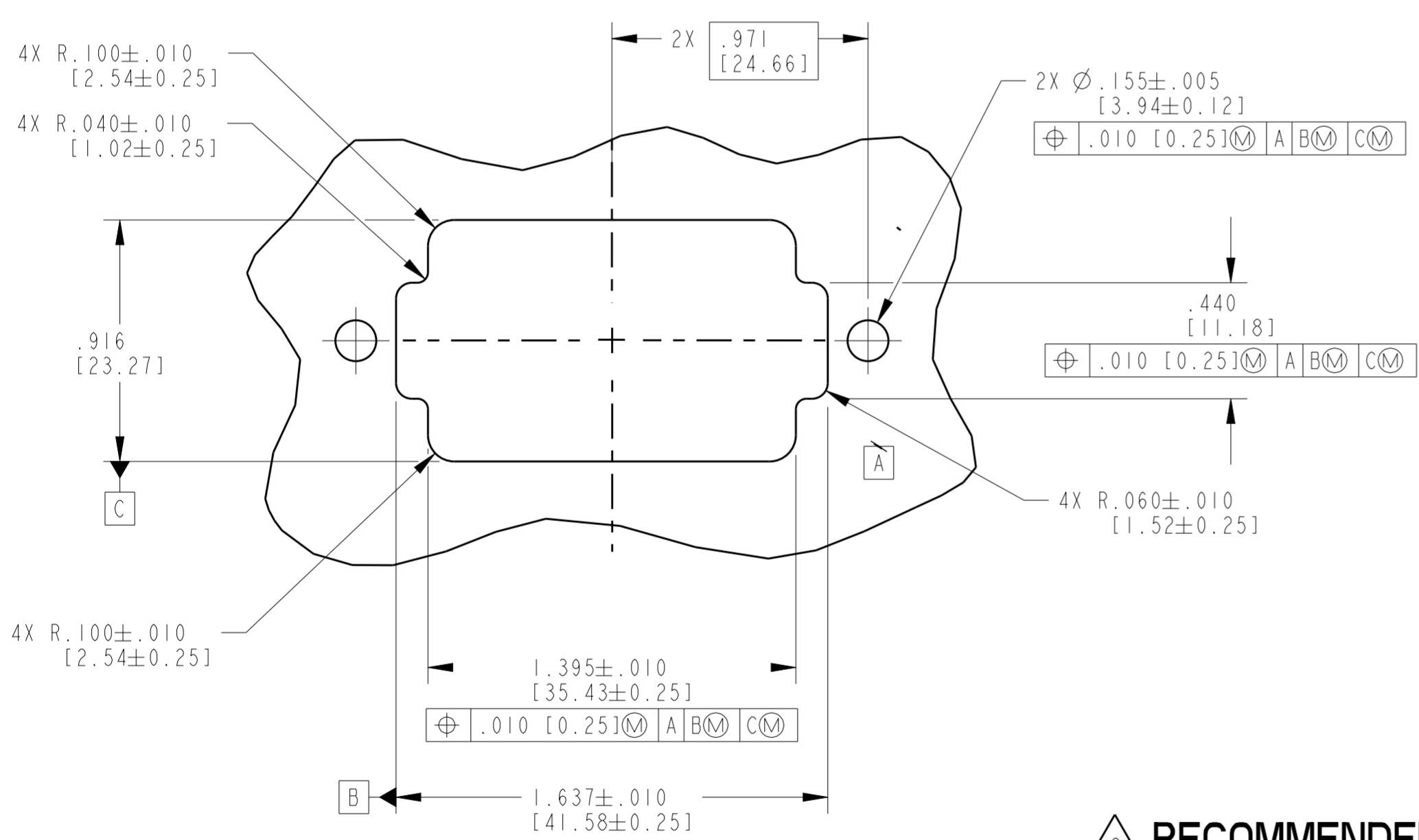
THIS DRAWING IS A CONTROLLED DOCUMENT.		DWN P. BURKE 08JUN2001	TE Connectivity	
DIMENSIONS: in [mm]		CHK B. BYFORD 24AUG2011		
TOLERANCES UNLESS OTHERWISE SPECIFIED:		APVD S. BEARD 25AUG2011	NAME RECEPTACLE HEADER	
0 PLC ±		PRODUCT SPEC 108-151009	12 PIN 180 DEG	
1 PLC ±		APPLICATION SPEC	DT SERIES	
2 PLC ±		WEIGHT 33.4 (g)	SIZE A2	CAGE CODE 4AFU8
3 PLC ±.025 [0.64]		CUSTOMER DRAWING	DRAWING NO. DT15-12PX-G003	RESTRICTED TO
4 PLC ±		SCALE 2:1	SHEET 1 OF 3	REV B1
ANGLES ±0°30'30"				
FINISH				

THIS DRAWING IS UNPUBLISHED. RELEASED FOR PUBLICATION 2017
 © COPYRIGHT 2017 BY - ALL RIGHTS RESERVED.

REVISIONS				
P	LTR	DESCRIPTION	DATE	APVD
-		SEE SHEET 1	-	-



3D VIEW

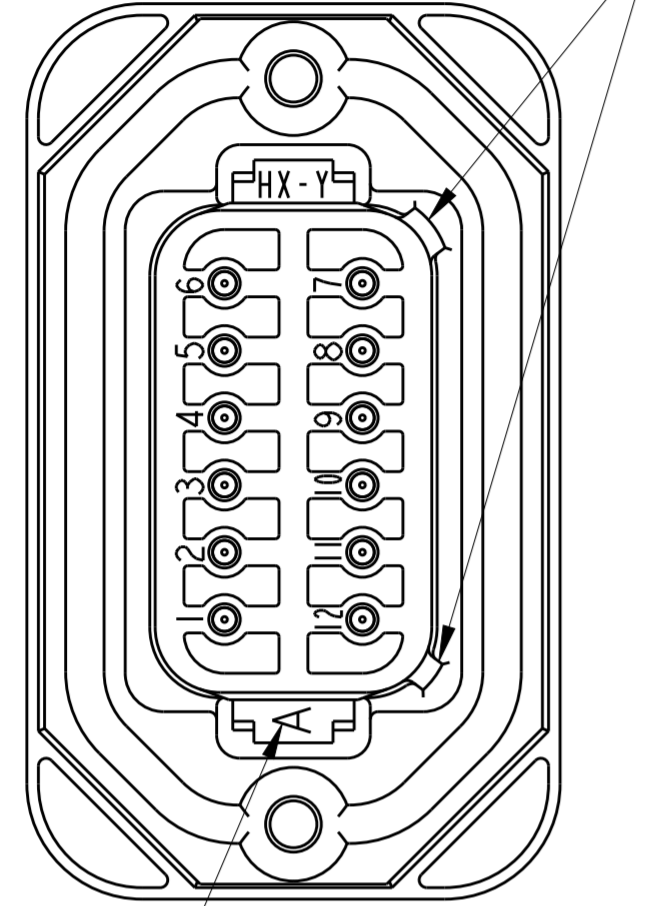


8 RECOMMENDED PANEL CUTOUTS

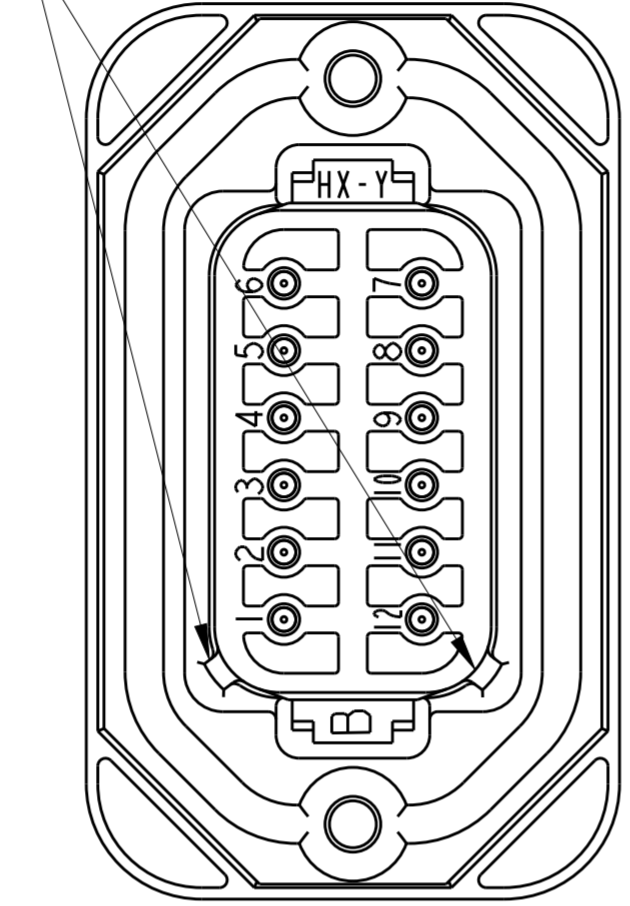
THIS DRAWING IS A CONTROLLED DOCUMENT.		DWN P. BURKE 08JUN2001	TE Connectivity	
DIMENSIONS: in [mm]		CHK B. BYFORD 24AUG2011		
TOLERANCES UNLESS OTHERWISE SPECIFIED:		APVD S. BEARD 25AUG2011	NAME RECEPTACLE HEADER 12 PIN 180 DEG DT SERIES	
0 PLC ±- 1 PLC ± 2 PLC ± 3 PLC ±.025 [0.64] 4 PLC ± ANGLES ±0°30'30" FINISH -		PRODUCT SPEC 108-151009	SIZE A2	
MATERIAL		APPLICATION SPEC	CAGE CODE 4AFU8	DRAWING NO. DT15-12PX-G003
		WEIGHT 33.4 (g)	RESTRICTED TO	
CUSTOMER DRAWING		SCALE 2:1	SHEET 2 OF 3	REV B1

REVISIONS				
P	LTR	DESCRIPTION	DATE	APVD
-		SEE SHEET 1	-	-

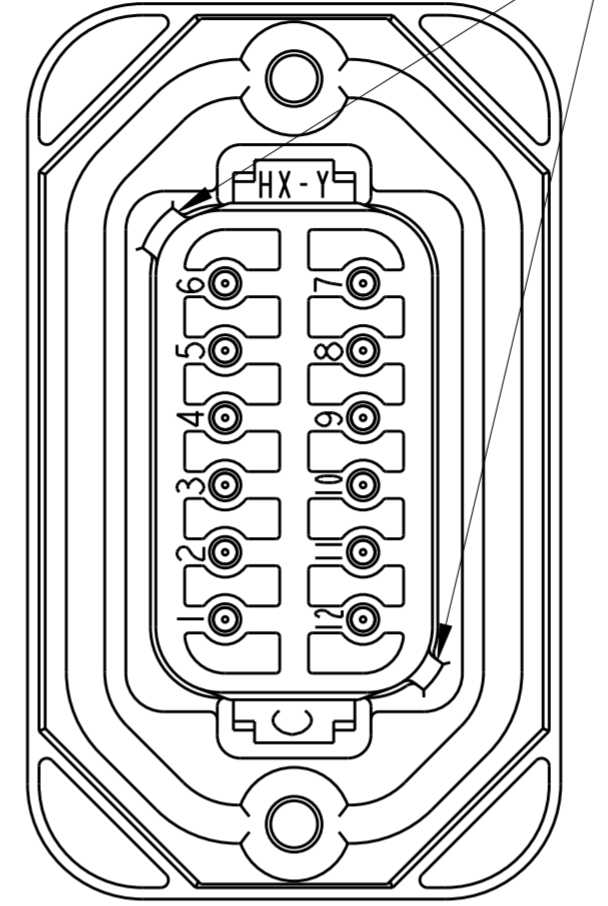
A KEYWAY



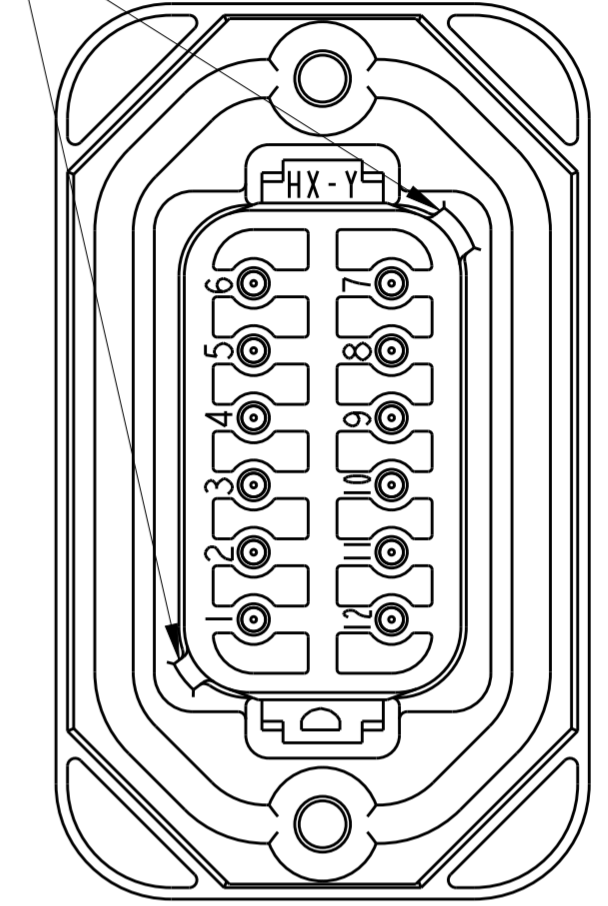
B KEYWAY



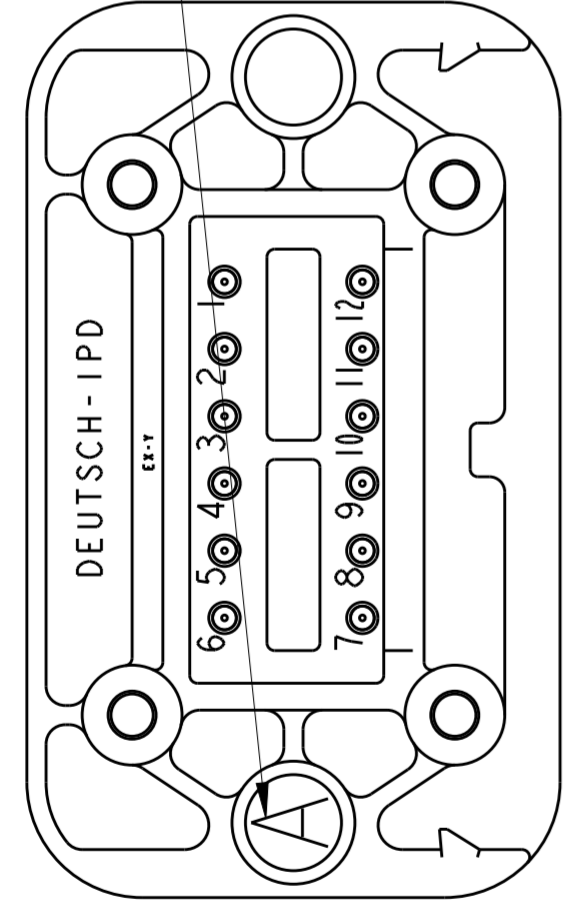
C KEYWAY



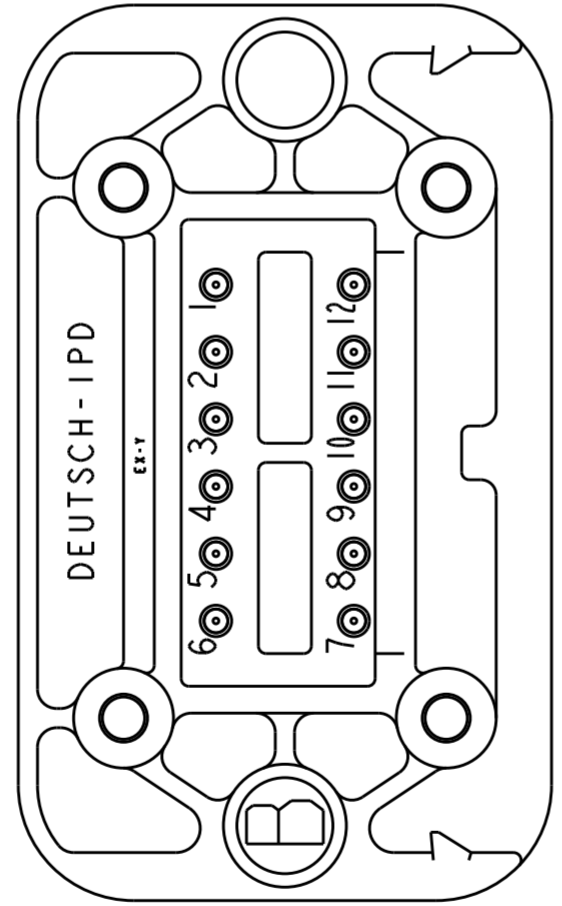
D KEYWAY



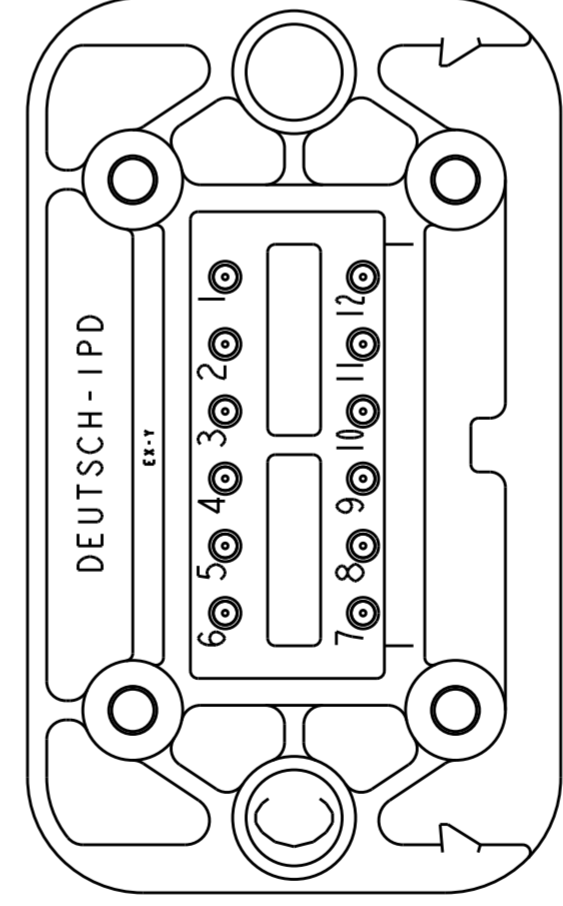
KEYING ARRANGEMENT INDICATOR, TYP



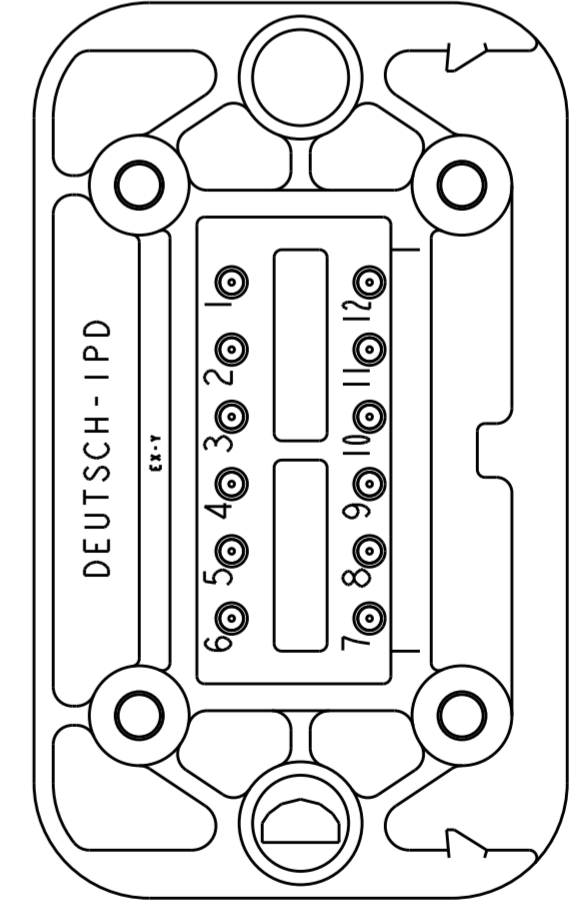
DT15-12PA-G003
COLOR GREY



DT15-12PB-G003
COLOR BLACK



DT15-12PC-G003
COLOR GREEN



DT15-12PD-G003
COLOR BROWN

THIS DRAWING IS A CONTROLLED DOCUMENT.		DWN P. BURKE 08JUN2001	TE Connectivity	
DIMENSIONS: in [mm]		CHK B. BYFORD 24AUG2011		
TOLERANCES UNLESS OTHERWISE SPECIFIED:		APVD S. BEARD 25AUG2011	NAME RECEPTACLE HEADER 12 PIN 180 DEG DT SERIES	
0 PLC ±- 1 PLC ±- 2 PLC ±- 3 PLC ±.025 [0.64] 4 PLC ±- ANGLES ±0°30'30" FINISH -		PRODUCT SPEC 108-151009	SIZE A2	CAGE CODE 4AFU8
MATERIAL		APPLICATION SPEC -	DRAWING NO DT15-12PX-G003	RESTRICTED TO -
		WEIGHT 33.4 (g)	SCALE 2:1	SHEET 3 OF 3
CUSTOMER DRAWING		REV B1		