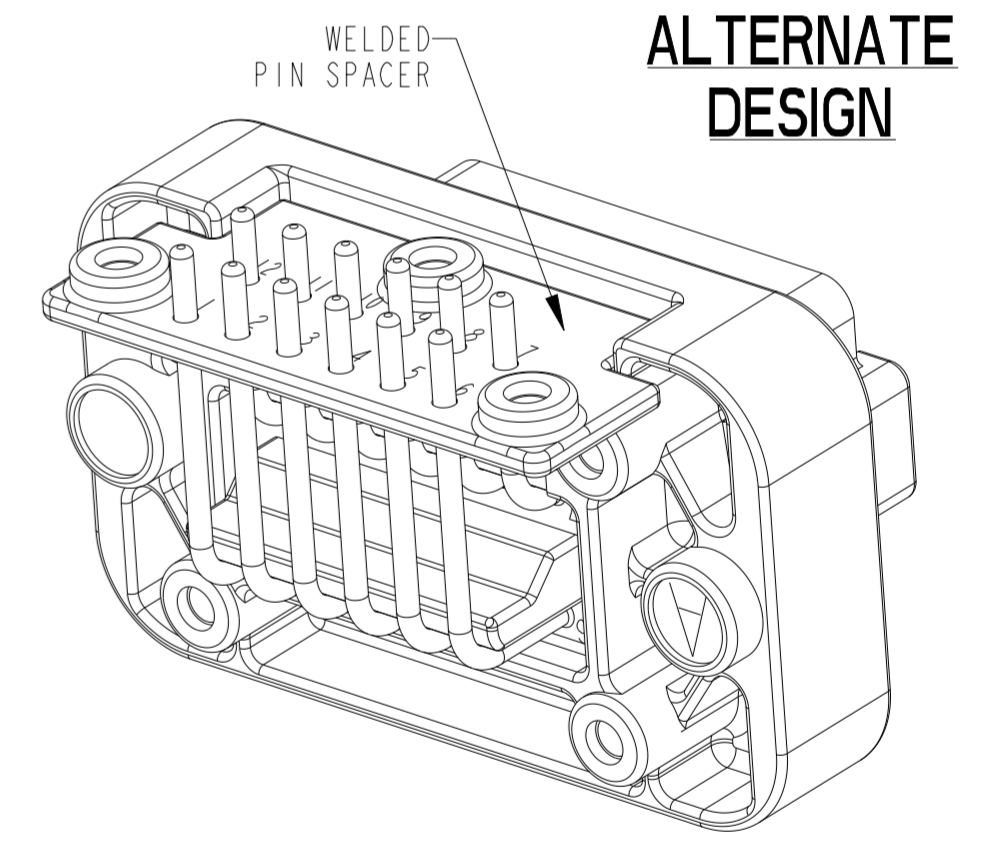
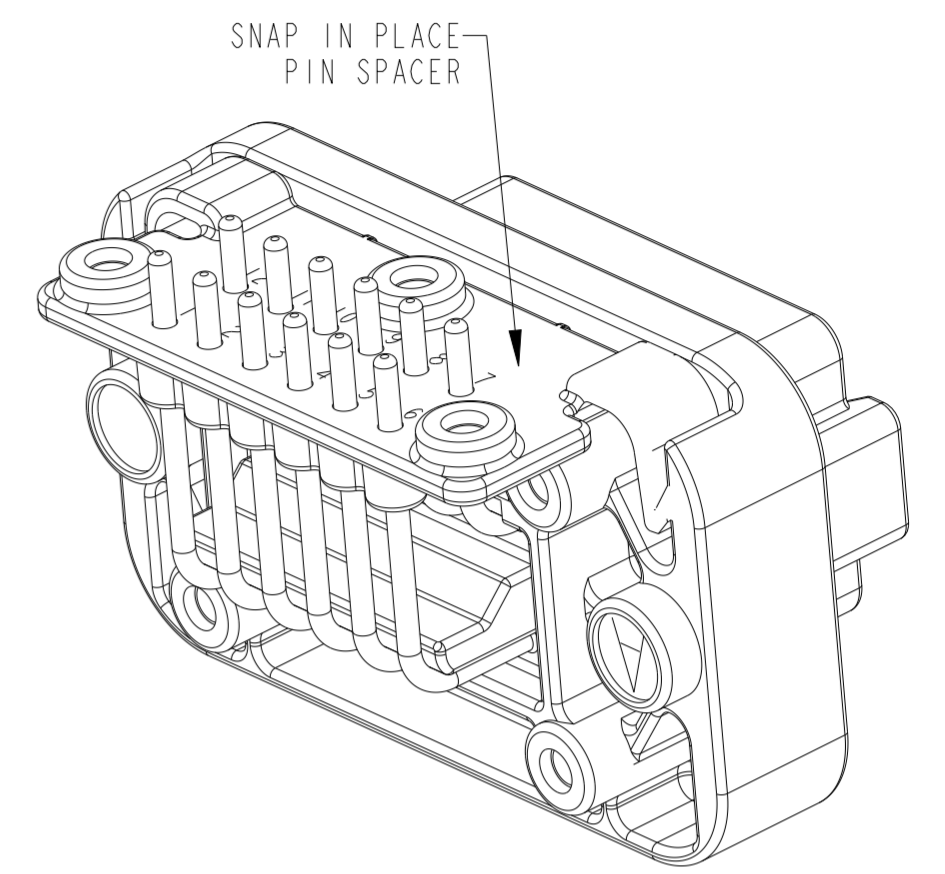
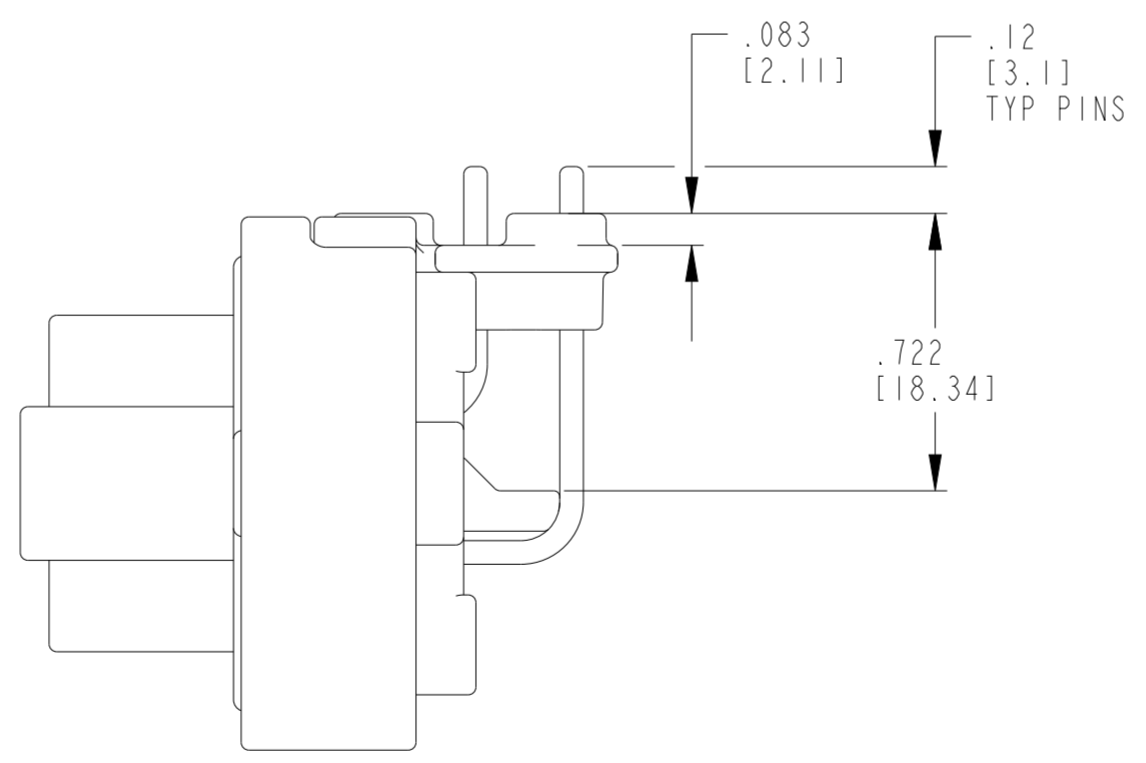
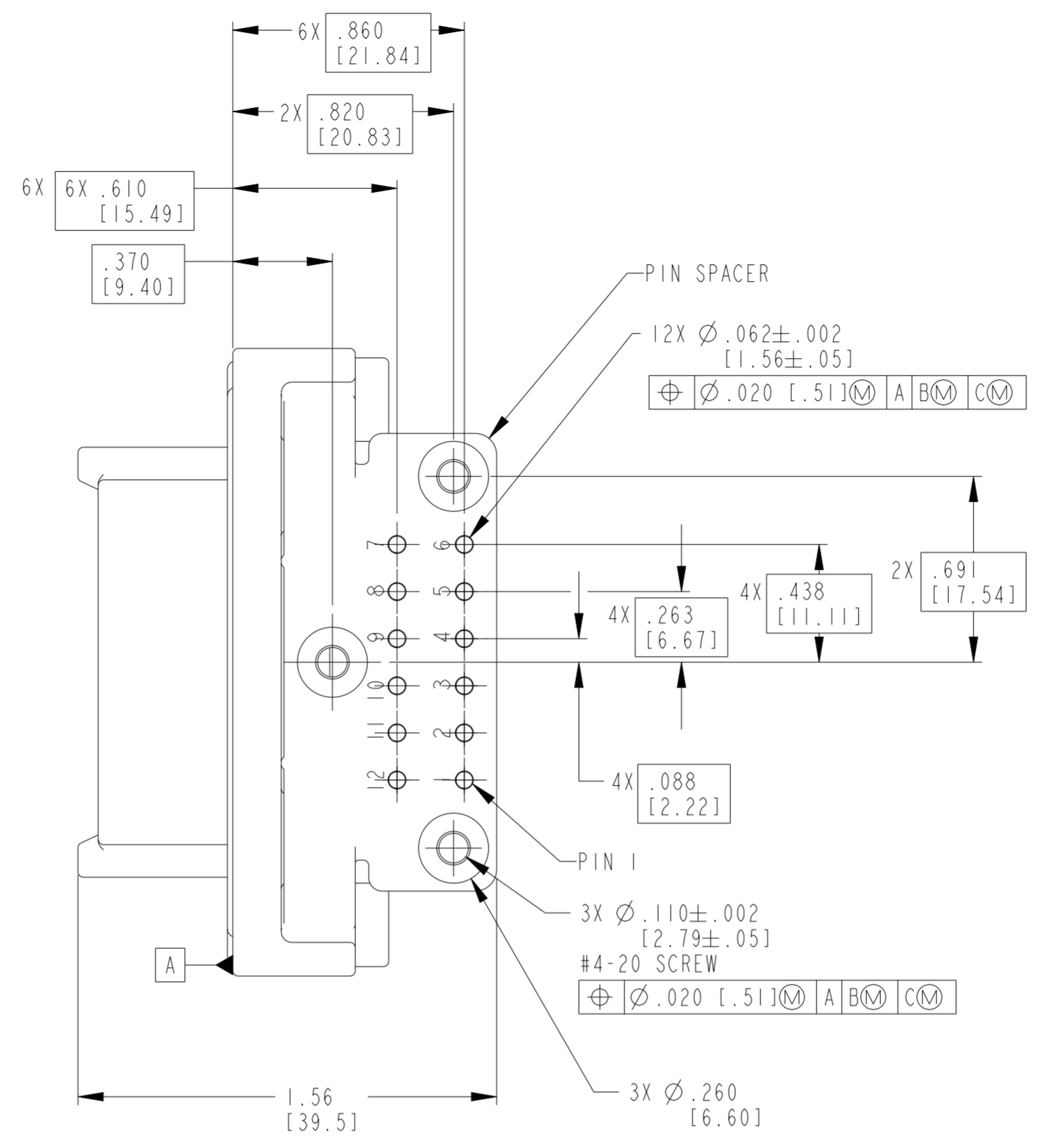
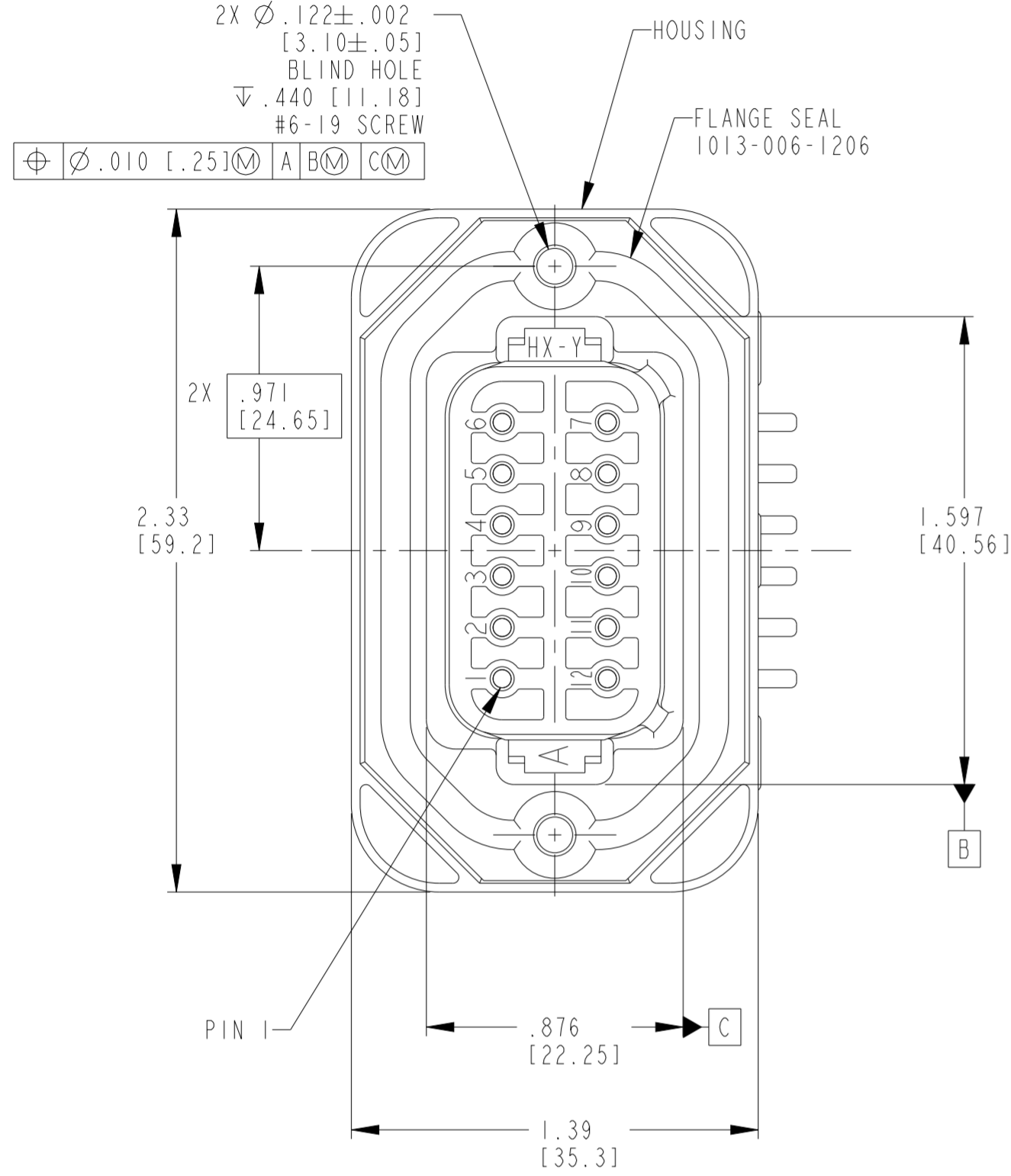


| REVISIONS | | | | | |
|-----------|-----|------------------------------|-----------|-----|------|
| P | LTR | DESCRIPTION | DATE | DWN | APVD |
| B | | REVISED PER E.O. P21065 | 26AUG2011 | | RDR |
| C | | REVISED PER PCN :E-17-013520 | 25JUL2017 | DD | DM |
| C1 | | REVISED PER PCN :E-20-011899 | 21AUG2020 | DB | IG |
| C2 | | UPDATED NOTE 2 | 13JUN2023 | PS | IG |



- 9 ALTERNATE PIN SPACER DESIGN RELATED TO MOLDING TOOL.
- 8 MOUNTING SURFACE SPECIFICATIONS:
 SURFACE FINISH: 32 μ in [0.81 μ m] Ra OR LESS
 FLATNESS: .005 in/in [0.13 mm/mm] MAX
- 7. SEE SHEET 2 FOR RECOMMENDED PANEL CUTOUTS.
- 6. SEE SHEET 3 FOR OTHER KEY ARRANGEMENTS.
- 5. MOUNTING SCREW TORQUE VALUES ARE AS FOLLOWS:
 #6-19 SCREWS: 11-15 in LB [1.24-1.70 N-m].
 #4-20 SCREWS: 6-10 in LB [1.68-1.13 N-m].
 VALUES VALID FOR PLASTITE 48 SCREWS ONLY.
- 4. RECOMMENDED MOUNTING SCREWS (NOT INCLUDED): CAMCAR PLASTITE 48, SINGLE HELIX.
- 3. THIS RECEPTACLE MATES WITH DT06-12SX PLUG (X = A,B,C,D KEYS, XXXX = ALL MODIFICATIONS).
- 2. CONTACT PLATING - (G003) - MATING SIDE: GOLD; PCB:TIN
- 1 MATERIALS:
 HOUSING & PIN ALIGNMENT PLATE: PA46 GF30 (SEE SHEET 3 FOR COLORS)
 FLANGE SEAL: VMO (RED-ORANGE)
 PIN CONTACTS: COPPER ALLOY

NOTES:

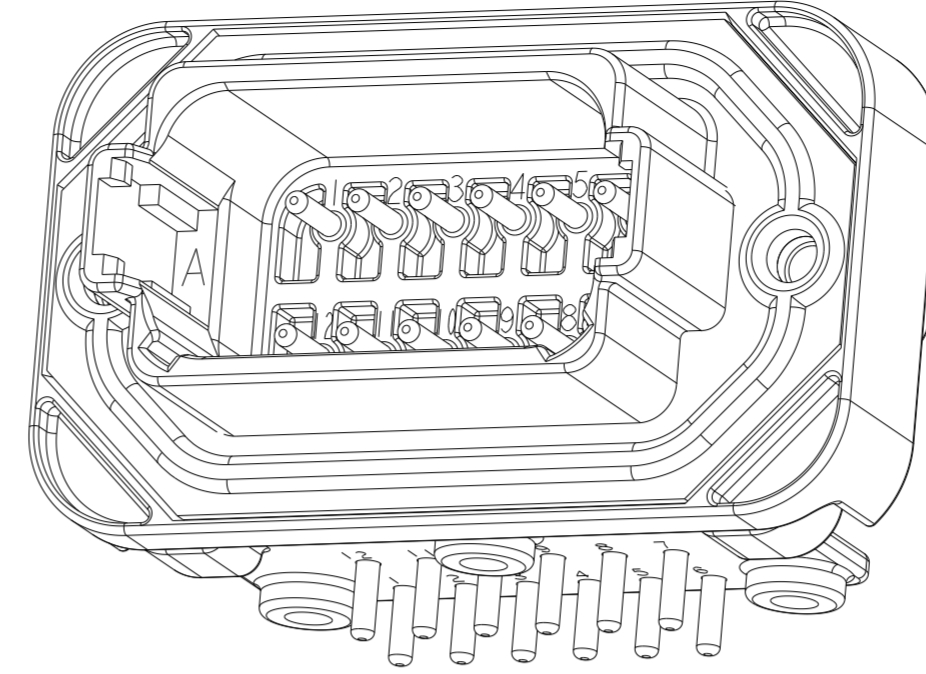
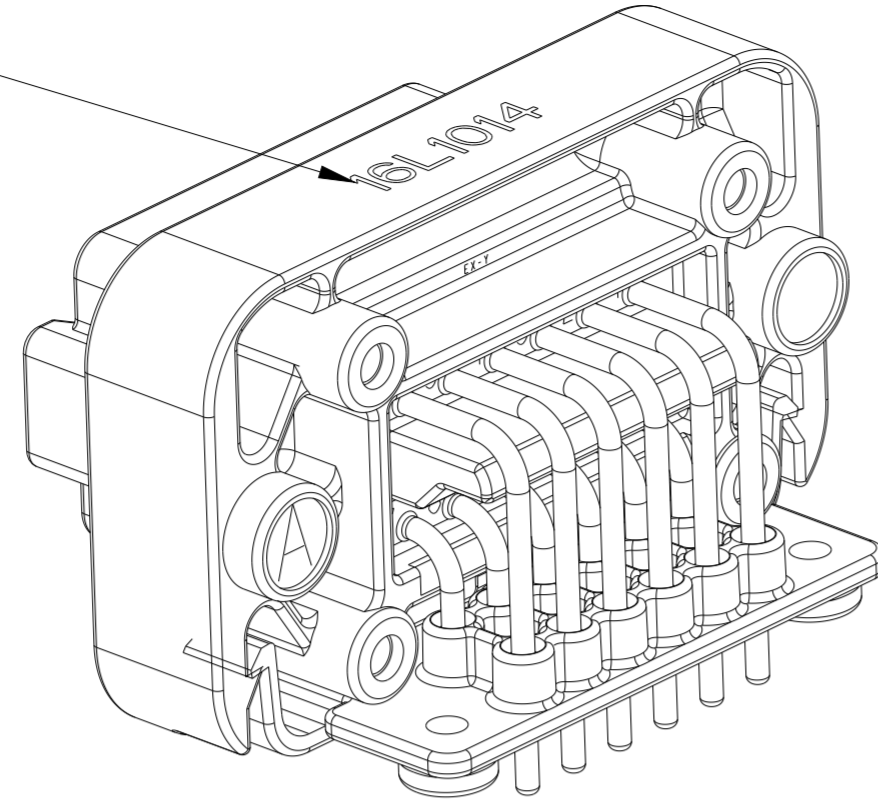
| TE INTERNAL PN | DEUTSCH PN |
|----------------|------------|
| DT13-12PA | DT13-12PA |
| DT13-12PB | DT13-12PB |
| DT13-12PC | DT13-12PC |
| DT13-12PD | DT13-12PD |

THIS DRAWING IS A CONTROLLED DOCUMENT.

| | | | |
|------------------------|--|--|--|
| DIMENSIONS: in [mm] | TOLERANCES UNLESS OTHERWISE SPECIFIED: 0 PLC ± 1 PLC ±.025 [0.64] 2 PLC ±.010 [0.26] 3 PLC ± 4 PLC ± ANGLES ±0° 30' 0" | DWN P. BURKE 09AUG2001 CHK B. BYFORD 26AUG2011 APVD S. BEARD 25AUG2011 | TE Connectivity NAME RECEPTACLE HEADER 12 PIN, 90 DEG DT SERIES |
| MATERIAL | FINISH | PRODUCT SPEC 108-151009 APPLICATION SPEC - WEIGHT - | |

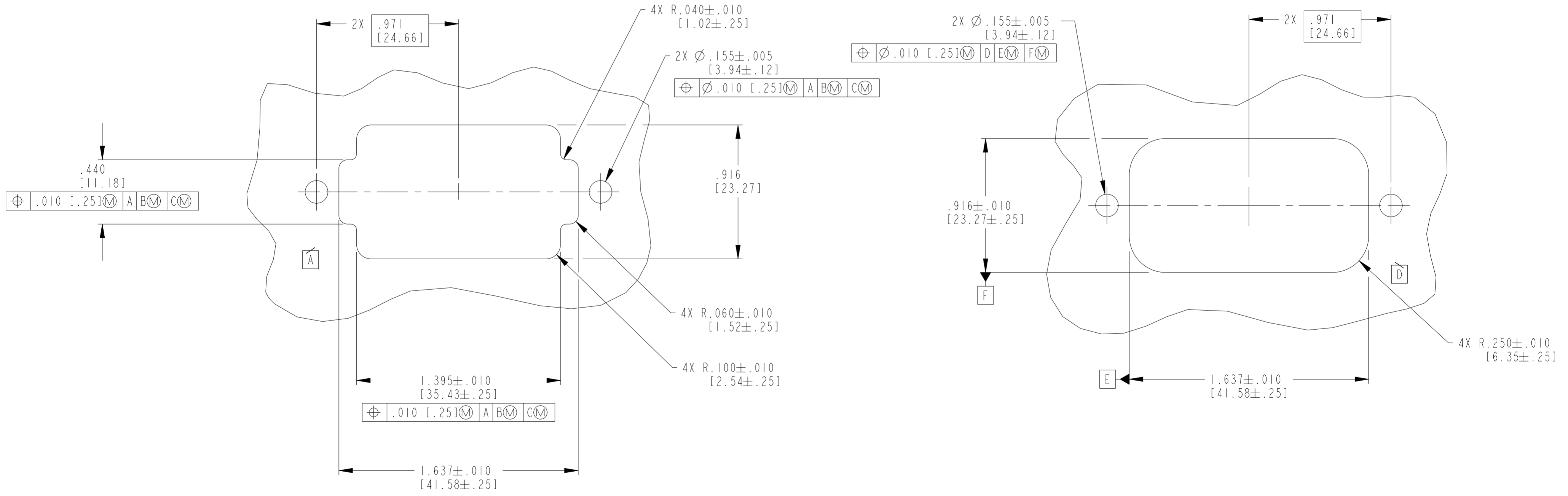
CUSTOMER DRAWING

7 DIGIT DATECODE
 YEAR: FIRST AND SECOND DIGITS. (16 = 2016)
 MONTH: THRID DIGIT, EXCLUDING 1. A = JAN.,
 B = FEB., C = MARCH... (L = NOVEMBER)
 DAY: FOURTH AND FIFTH DIGITS (10 = 10th DAY)
 HOUR: SIXTH AND SEVENTH DIGITS (14 = 2-3PM)




3D VIEW

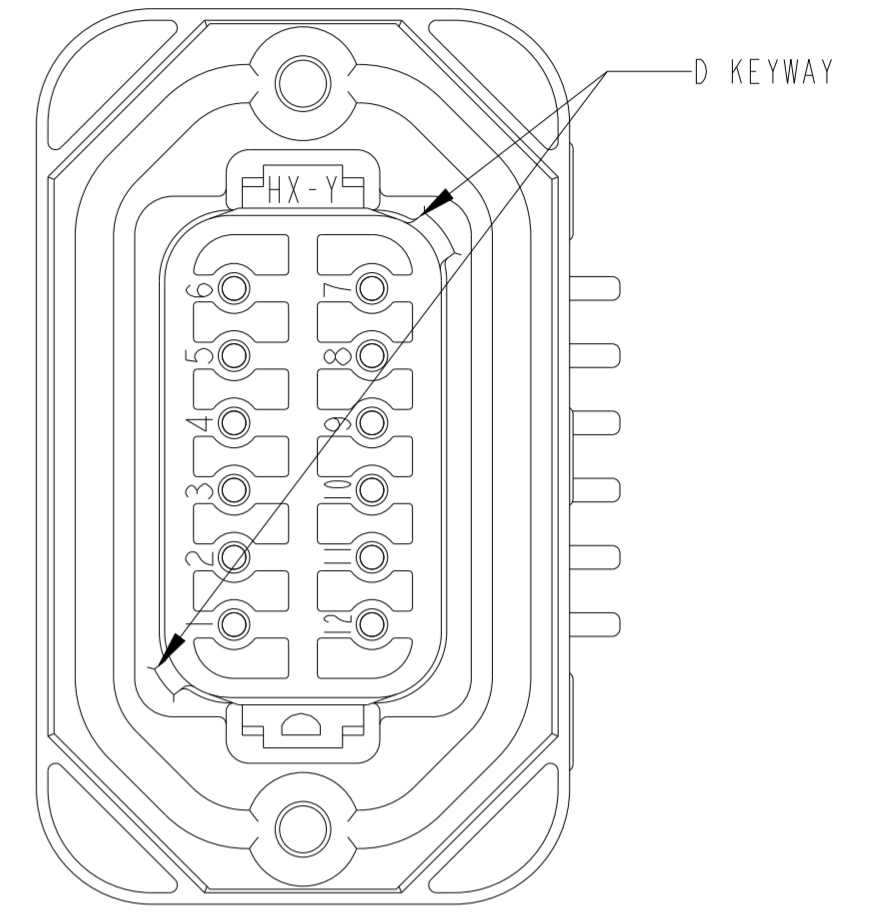
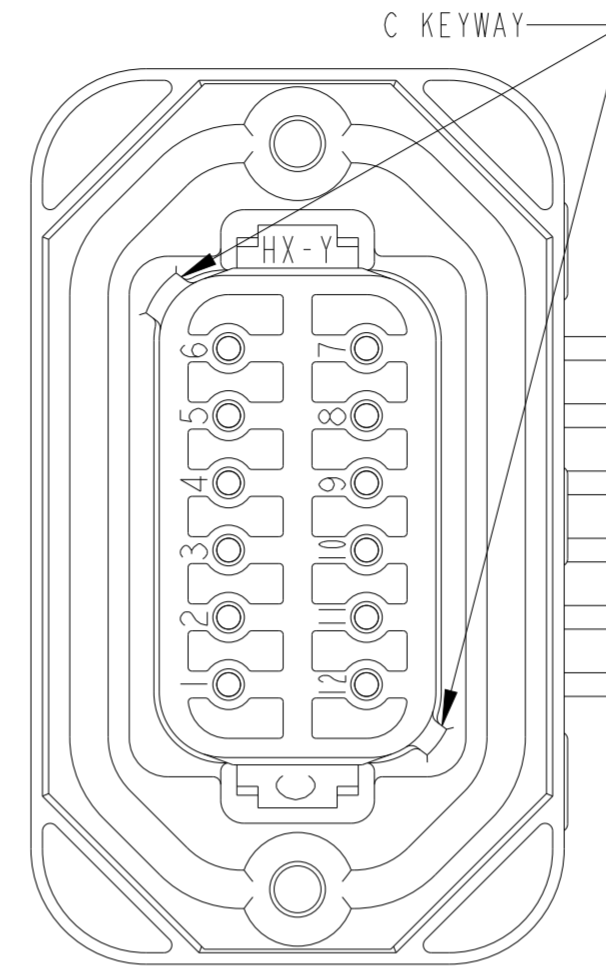
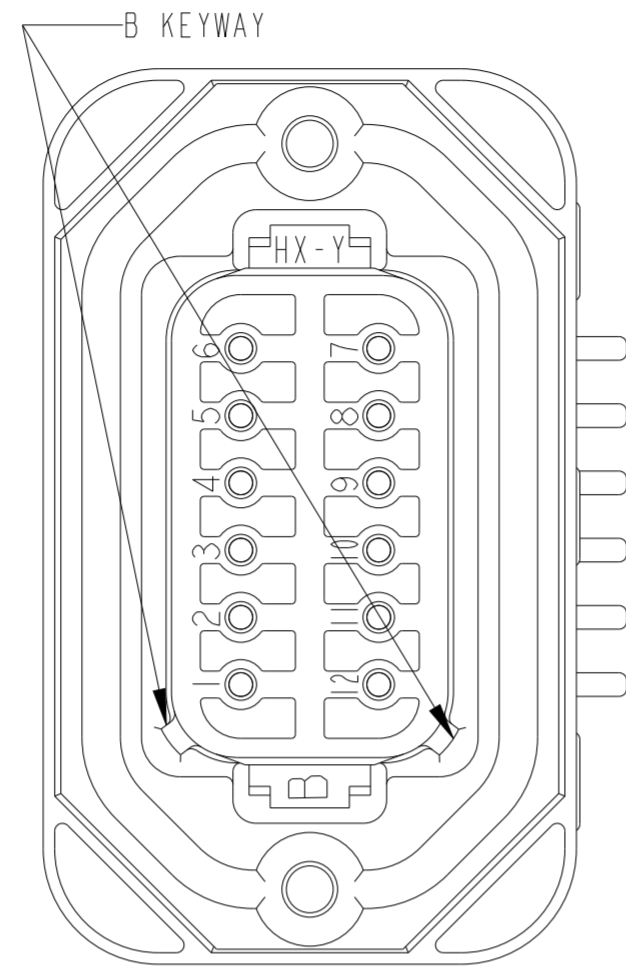
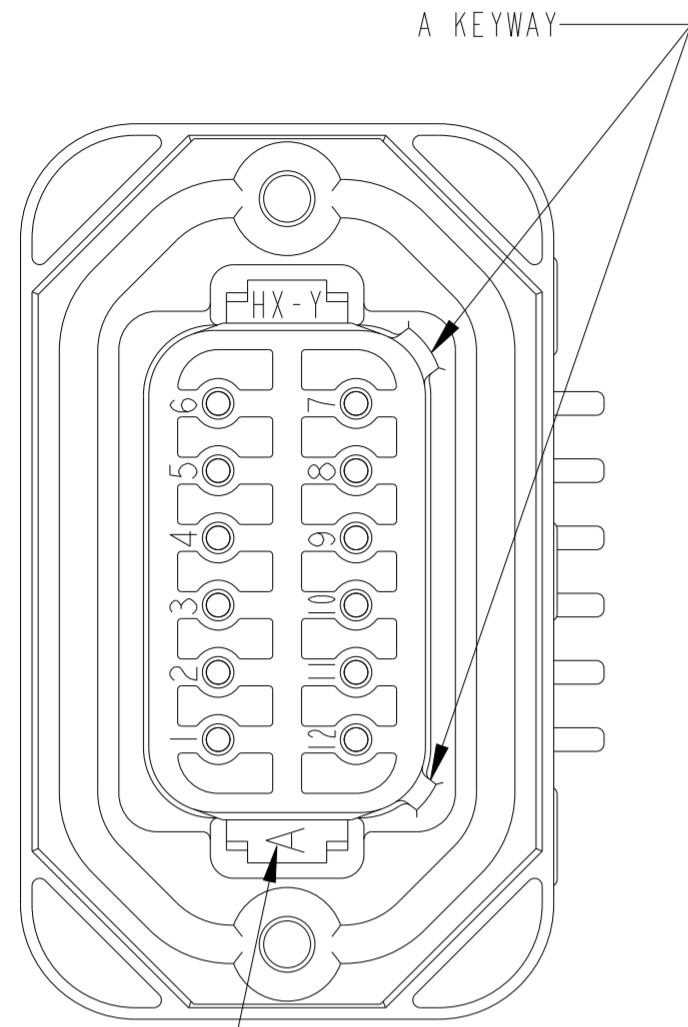
| REVISIONS | | | | |
|-----------|-----|-------------|------|------|
| P | LTR | DESCRIPTION | DATE | APVD |
| - | | SEE SHEET 1 | - | - |
| | | | | |
| | | | | |



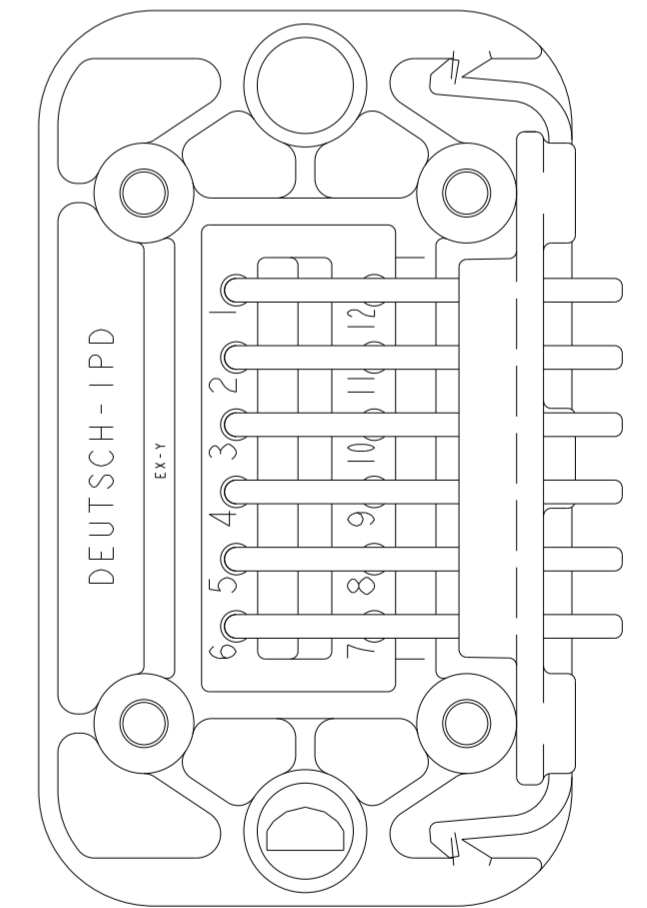
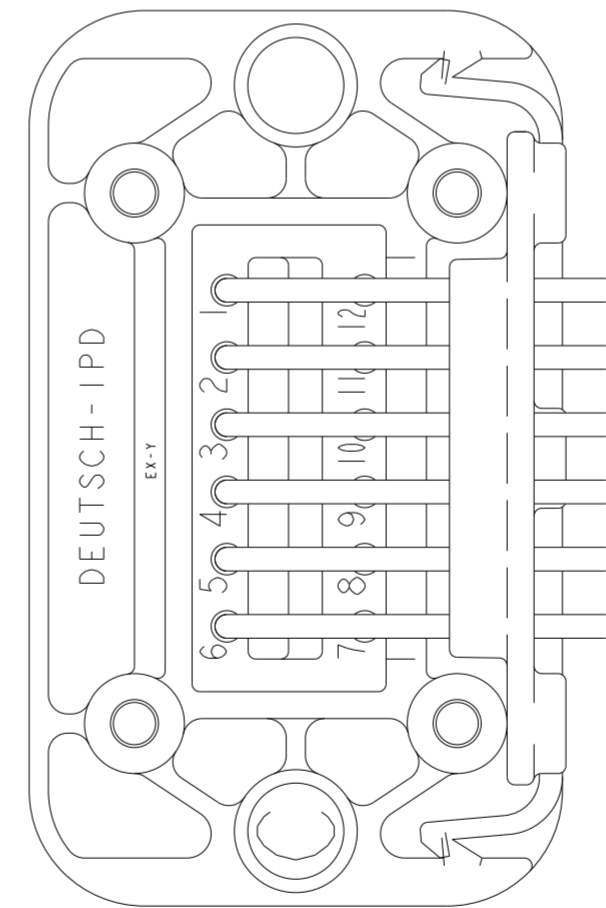
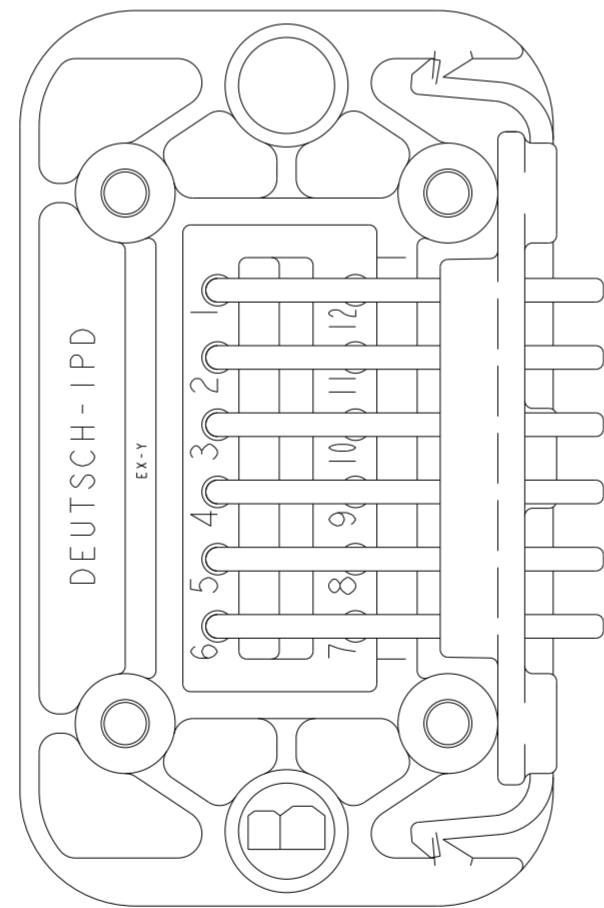
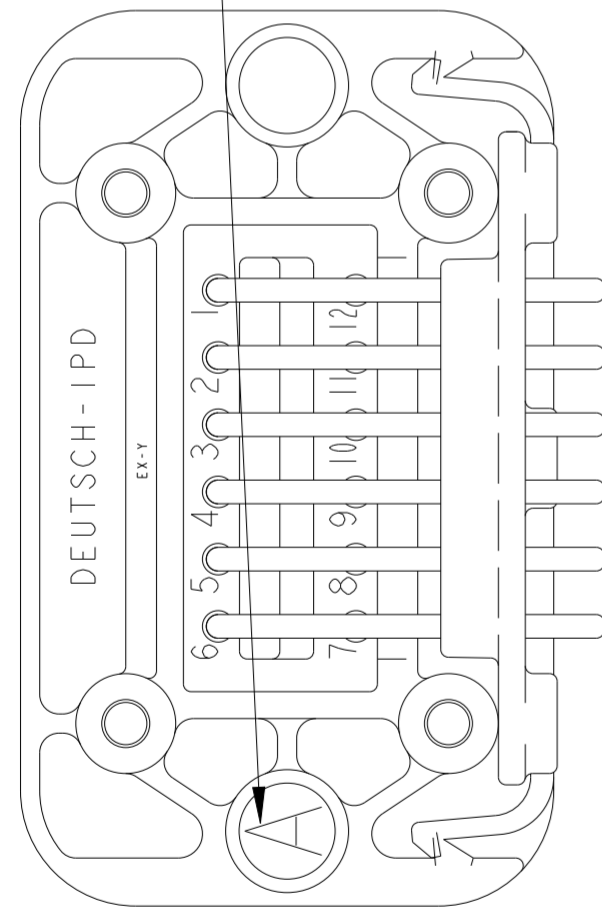
8 RECOMMENDED PANEL CUTOUTS

| | | | | |
|--|--|-------------------------------|---|--------------------------------|
| THIS DRAWING IS A CONTROLLED DOCUMENT. | | DWN P. BURKE 09AUG2001 |  TE Connectivity | |
| DIMENSIONS: in [mm] | | CHK B. BYFORD 26AUG2011 | | |
| TOLERANCES UNLESS OTHERWISE SPECIFIED: | | APVD S. BEARD 25AUG2011 | NAME RECEPTACLE HEADER 12 PIN, 90 DEG DT SERIES | |
| 0 PLC ± | | PRODUCT SPEC 108-151009 | SIZE A2 | |
| 1 PLC ± | | APPLICATION SPEC | CAGE CODE 4AFU8 | DRAWING NO C-DT13-12PX-G003 |
| 2 PLC ±.025 [0.64] | | WEIGHT - | RESTRICTED TO - | |
| 3 PLC ±.010 [0.26] | | CUSTOMER DRAWING | SCALE 2:1 | SHEET 2 OF 3 |
| 4 PLC ± | | | REV C2 | |
| ANGLES ±0° 30' 0" | | | | |
| FINISH | | | | |

| REVISIONS | | | | | |
|-----------|-----|-------------|------|-----|------|
| P | LTR | DESCRIPTION | DATE | DWN | APVD |
| - | | SEE SHEET 1 | - | - | - |
| | | | | | |
| | | | | | |



KEYING ARRANGEMENT INDICATOR, TYP




DT13-12PA-G003
COLOR GREY

DT13-12PB-G003
COLOR BLACK

DT13-12PC-G003
COLOR GREEN

DT13-12PD-G003
COLOR BROWN

| | | | | | |
|--|--|-------------------------------|---|--------------------|-------------------------------|
| THIS DRAWING IS A CONTROLLED DOCUMENT. | | DWN P. BURKE 09AUG2001 |  TE Connectivity | | |
| DIMENSIONS: in [mm] | | CHK B. BYFORD 26AUG2011 | | | |
| TOLERANCES UNLESS OTHERWISE SPECIFIED: | | APVD S. BEARD 25AUG2011 | PRODUCT SPEC 108-151009 | | RESTRICTED TO |
| 0 PLC ± 1 PLC ± 2 PLC ±.025 [0.64] 3 PLC ±.010 [0.26] 4 PLC ± ANGLES ±0° 30' 0" FINISH | | APPLICATION SPEC | SIZE A2 | CAGE CODE 4AFU8 | DRAWING NO DT13-12PX-G003 |
| MATERIAL | | WEIGHT | CUSTOMER DRAWING | | SCALE 2:1 SHEET 3 OF 3 REV C2 |