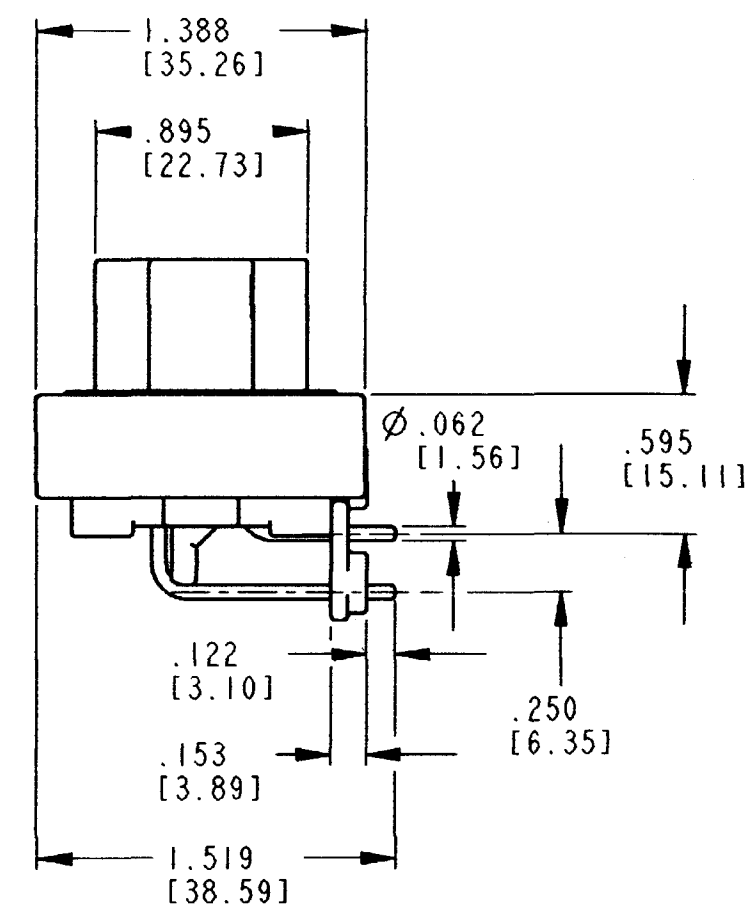
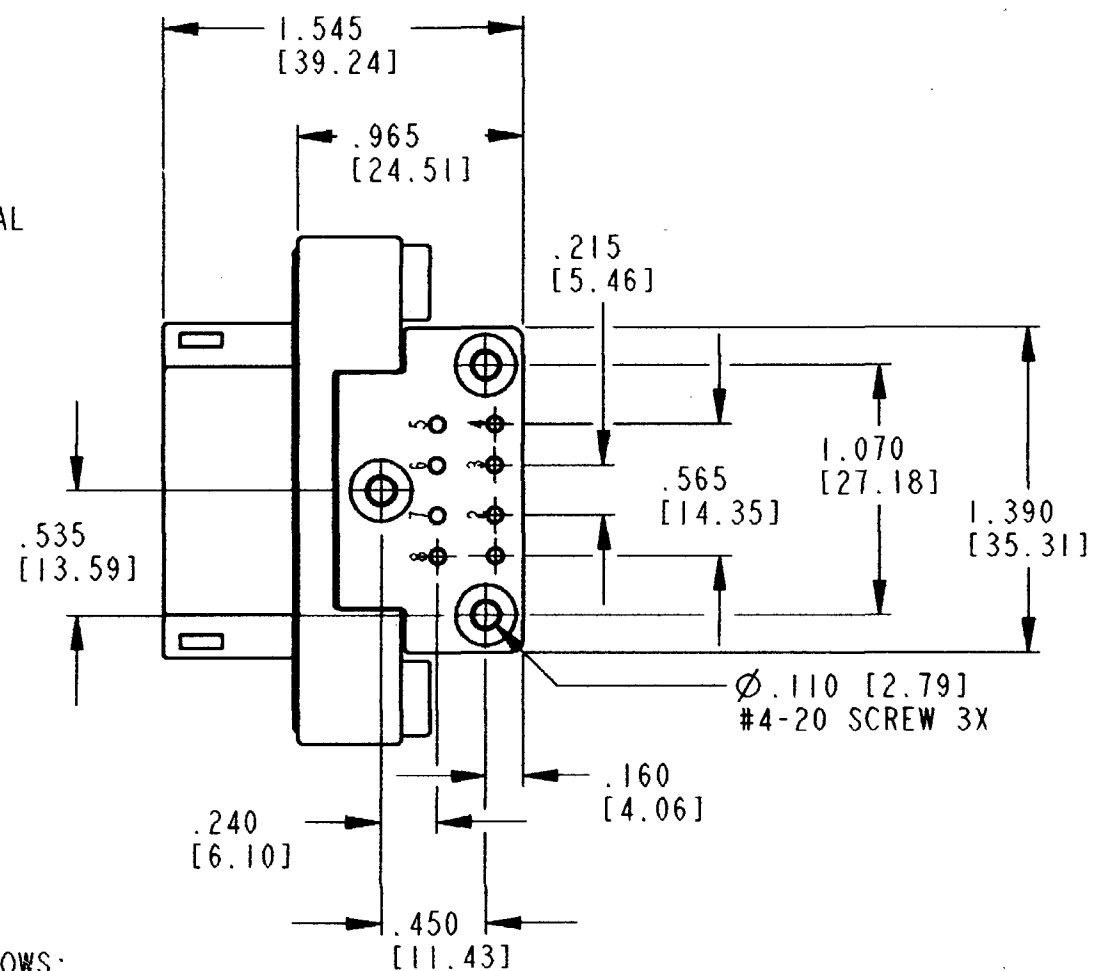
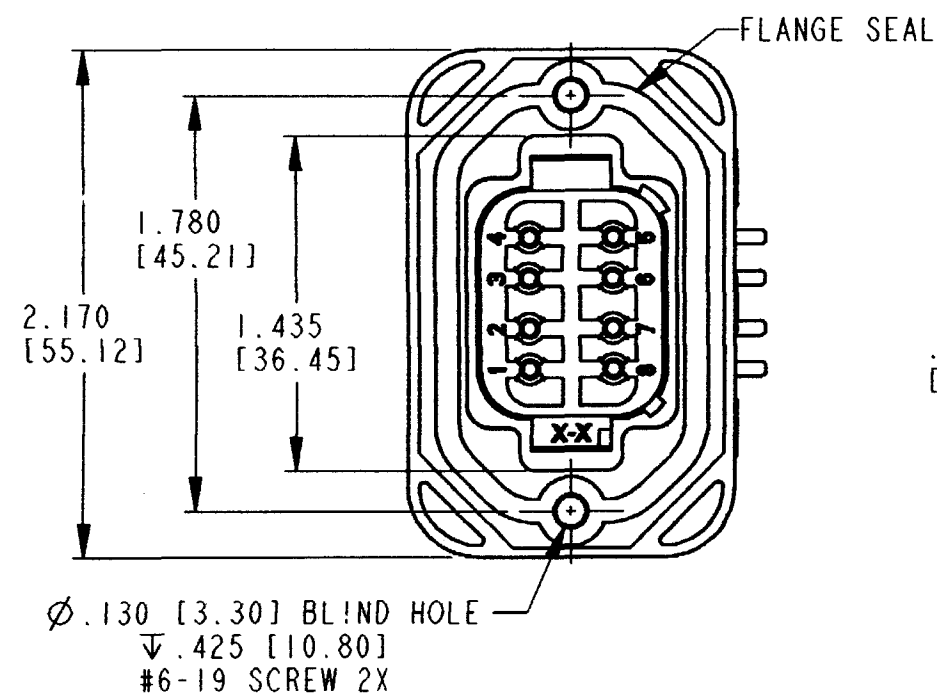


3D VIEW



6. MOUNTING SCREW TORQUE VALUES ARE AS FOLLOWS:  
 #6-19 SCREWS:  $13 \pm 2.0$  IN-LB [ $1.47 \pm 0.23$  N-M].  
 #4-20 SCREWS:  $8 \pm 2.0$  IN-LB [ $.90 \pm 0.23$  N-M].  
 VALUES VALID FOR PLASTITE 48 SCREWS ONLY.

5. RECOMMENDED MOUNTING SCREWS (NOT INCLUDED): CAMCAR PLASTITE 48.  
 4. THIS RECEPTACLE MATES WITH DT06-08S\* PLUG -\*\*\*\*- ALL MODIFICATIONS.  
 3. SHELL MATERIAL: PLASTIC; FLANGE SEAL MATERIAL: RUBBER.  
 2. DIMENSION TOLERANCE  $\pm .025 [0.64]$ . FOR PANEL CUTOUTS  $\pm .010 [0.25]$ .

NOTES:  
 1. DIMENSIONS SHOWN IN INCHES [mm].

REV  
 A DT13-08P \* -G003

| REVISIONS |                             |          |          |
|-----------|-----------------------------|----------|----------|
| SYM       | DESCRIPTION                 | DATE     | APPROVED |
| NC        | NEW RELEASE PER E.O. P17348 | 9/24/01  | R.D.R.   |
| A         | REVISED PER E.O. P19404     | 11-20-06 | RDR      |

| SIGNATURE & DATE |                             |
|------------------|-----------------------------|
| DR               | P. BURKE 09/21/01           |
| CHK              | <i>[Signature]</i> 11/20/06 |
| PE               | <i>[Signature]</i> 11/15/06 |
| APPD             | <i>[Signature]</i> 11-20-06 |
| SCALE            | NONE WT                     |

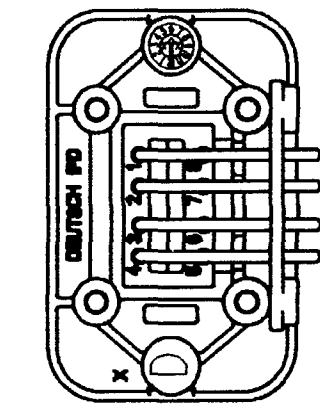
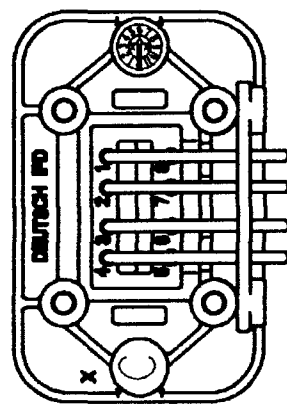
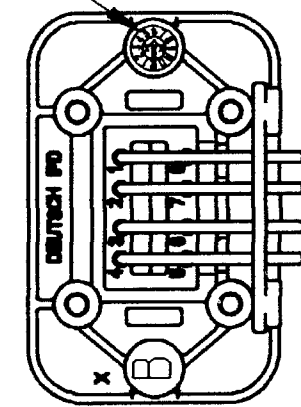
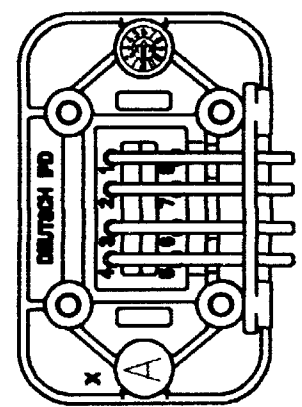
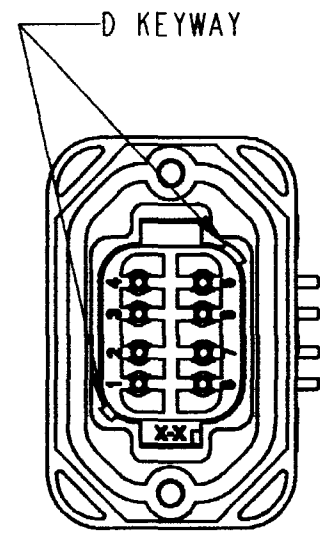
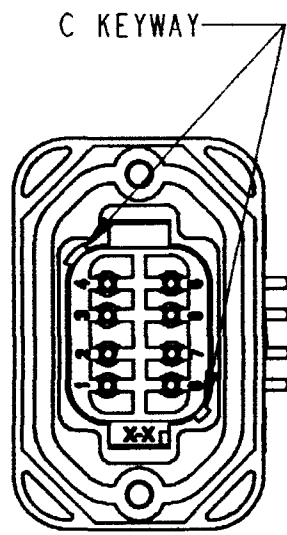
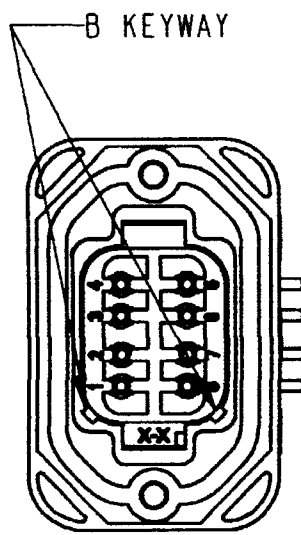
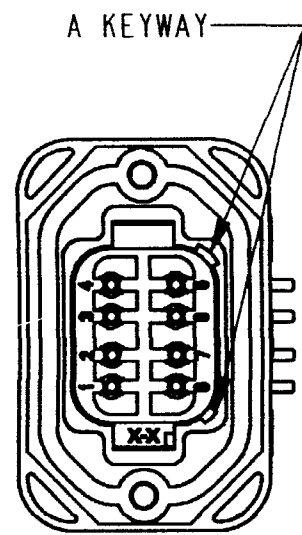
PCB MOUNT RECEPTACLE  
 8 PIN - 90°  
 -G003 MOD  
 DT SERIES

ENVELOPE

| EP       | MATL. CODE   |
|----------|--|
|          | The Deutsch Company<br>DEUTSCH I.P.D.<br>3850 INDUSTRIAL AVE.<br>HEMET, CALIF. 92545 |
| <b>B</b> | DT13-08P * -G003   |
| DWG SIZE | CODE 11139 SHEET 1 OF 2  |

REV  
A DT13-08P \* -G003

| REVISIONS |               |          |          |
|-----------|---------------|----------|----------|
| SYM       | DESCRIPTION   | DATE     | APPROVED |
| A         | SEE SHEET ONE | 11-20-06 | ADR      |

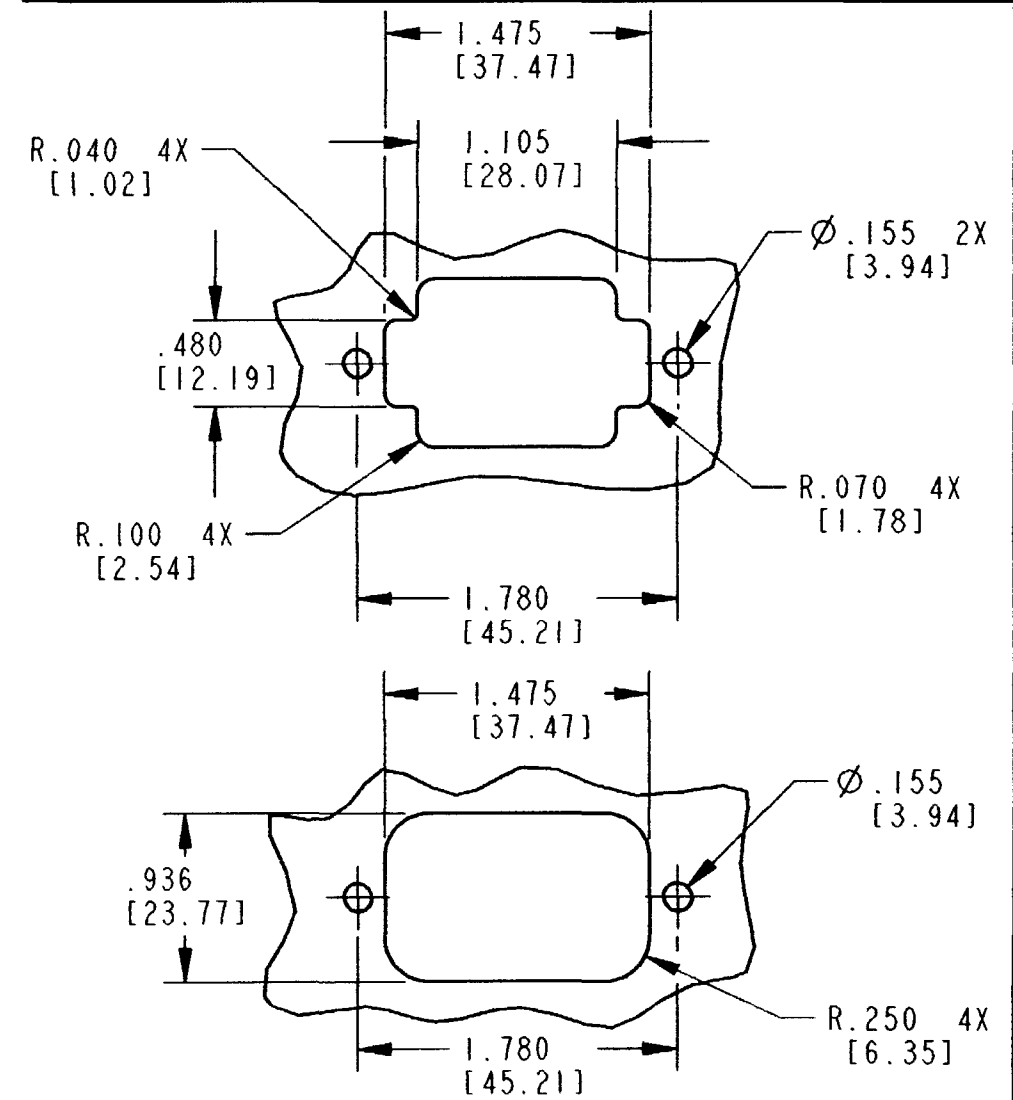


DT13-08PA-G003  
COLOR: GRAY

DT13-08PB-G003  
COLOR: BLACK

DT13-08PC-G003  
COLOR: GREEN

DT13-08PD-G003  
COLOR: BROWN



RECOMMENDED PANEL CUTOUTS

NOTES:

| SIGNATURE & DATE |                   |
|------------------|-------------------|
| DR               | P. BURKE 09/21/01 |
| CHK              | B. Smith 11/13/06 |
| PE               | Chicker 11-2-06   |
| APPD             | S. Beard 11-7-06  |
| SCALE            | NONE WT           |

PCB MOUNT RECEPTACLE  
8 PIN - 90°  
-G003 MOD  
DT SERIES  
  
ENVELOPE

| EP   | MATL. CODE              |
|--|-------------------------|
| The Deutsch Company<br>DEUTSCH I.P.D.<br>3850 INDUSTRIAL AVE.<br>HEMET, CALIF. 92545 |                         |
| <b>B</b> DT13-08P * -G003  |                         |
| DWG SIZE   | CODE 11139 SHEET 2 OF 2 |