

REV	DESCRIPTION	DATE	OWN	APPV
B1	REVISED PER PCN E-19-004598	15MAR2019	DD	DM
C	REVISED PER PCN E-19-014633	24APR2019	NS	RM
C1	REVISED PER PCN-23-187402	19SEP2023	OD	IG
D	REVISED PER PCN-23-192205	06FEB2024	RK	CB

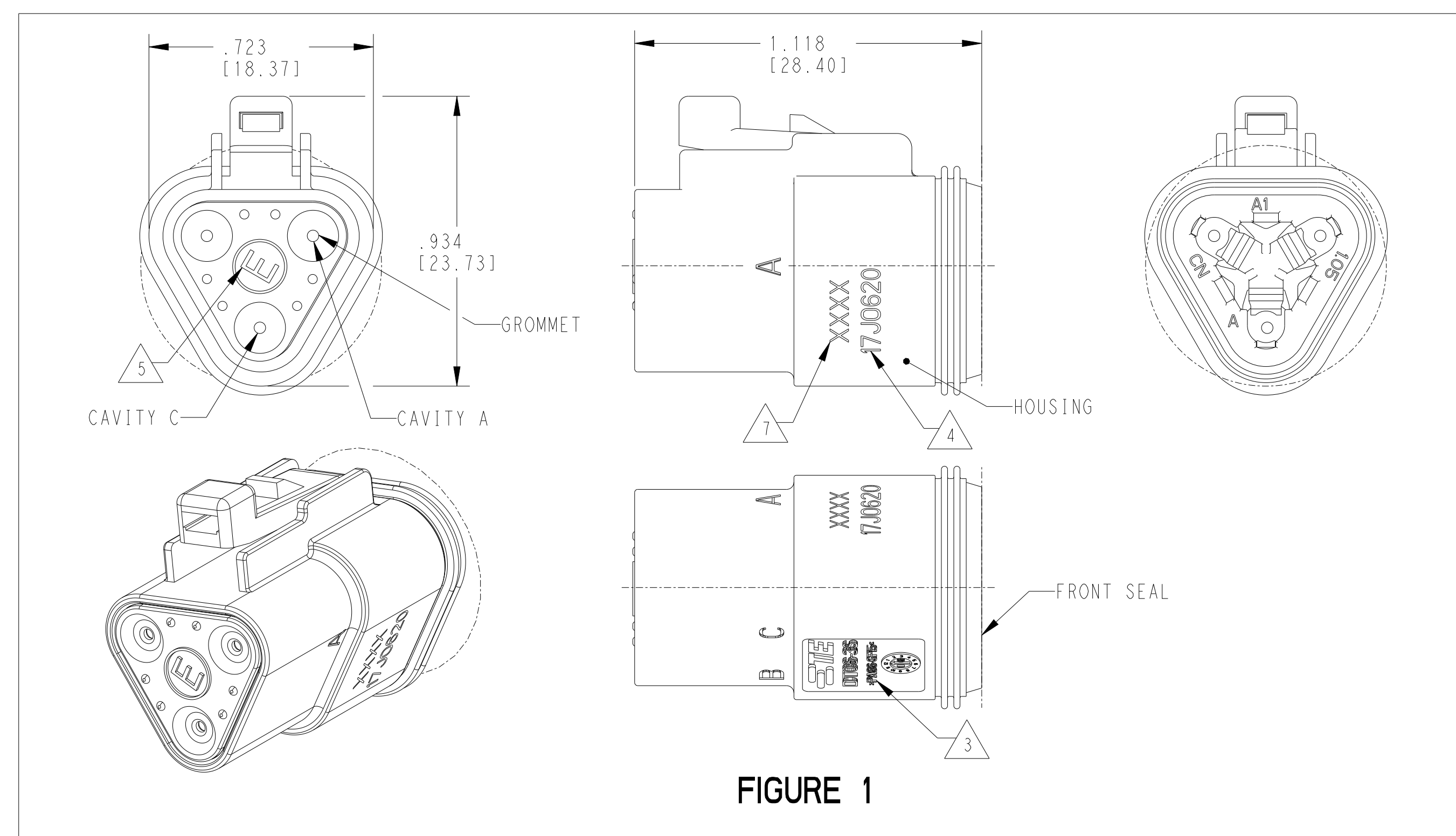


FIGURE 1

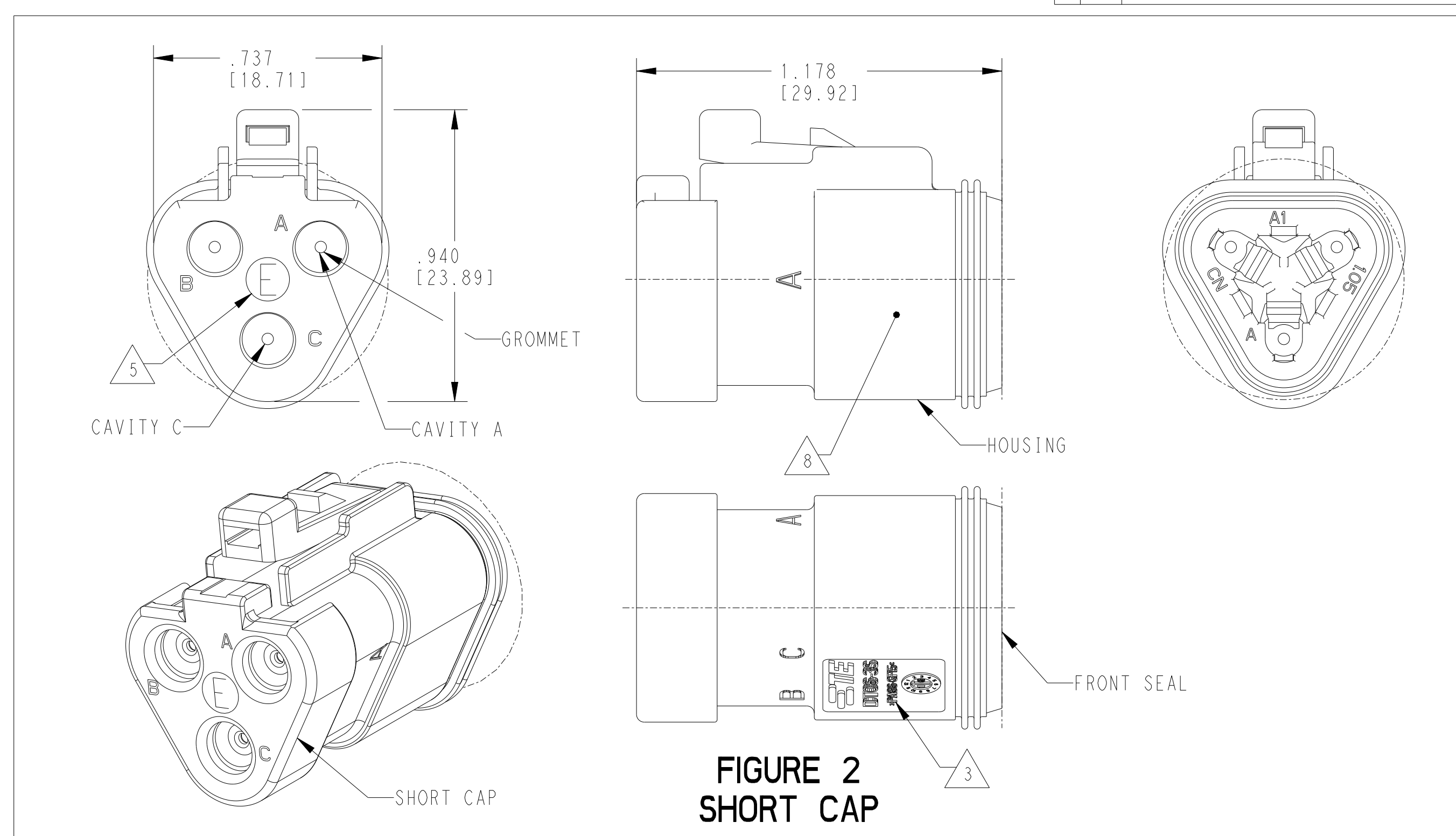


FIGURE 2  
SHORT CAP

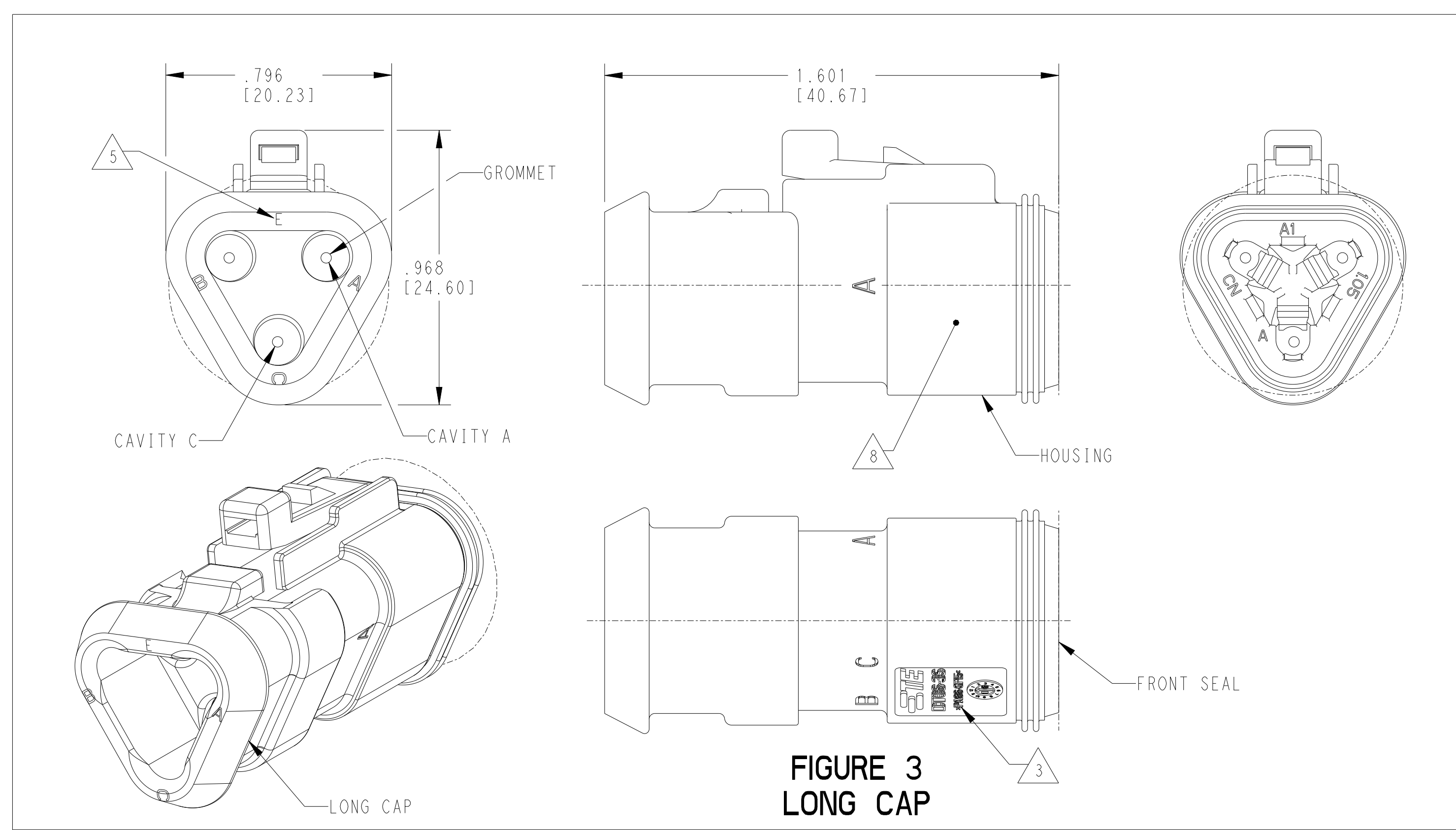


FIGURE 3  
LONG CAP

CONTACT SIZE	WIRE RANGE	INSULATION OD SEALING RANGE	SEAL IDENTIFICATION
16	14-20 AWG [2.5-0.5mm <sup>2</sup> ]	.088 - .145 [2.23-3.68]	STANDARD SEAL
		.053 - .120 [1.35-3.05]	EXTRA THIN SEAL E-SEAL

TE INTERNAL PART NUMBER	DEUTSCH PART NUMBER	PN REV	HOUSING COLOR	STANDARD SEAL GROMMET	EXTRA THIN SEAL E-SEAL GROMMET	BLOCKED SEAL	SHORT CAP	LONG CAP	FIGURE
DT06-3S	DT06-3S	A	GREY	X					1
DT06-3S-C015	DT06-3S-C015	B	GREY		X				1
DT06-3S-C017	DT06-3S-C017	B	GREY			X	X		2
DT06-3S-CE01	DT06-3S-CE01	C	GREY		X		X		2
DT06-3S-CE02	DT06-3S-CE02	B	BLACK		X				1
DT06-3S-CE04	DT06-3S-CE04	C	GREY		X			X	3
DT06-3S-CE05	DT06-3S-CE05	B	BLACK		X		X		2
DT06-3S-CE06	DT06-3S-CE06	B	BLACK		X				1
DT06-3S-CE13	DT06-3S-CE13	B	BLACK		X			X	3
DT06-3S-CP01	DT06-3S-CP01	A	BLACK			X	X		2
DT06-3S-E003	DT06-3S-E003	B	GREY	X			X		2
DT06-3S-E004	DT06-3S-E004	A	BLACK	X					1
DT06-3S-E005	DT06-3S-E005	A	BLACK	X			X		2
DT06-3S-E008	DT06-3S-E008	C	GREY	X				X	3
DT06-3S-EP04	DT06-3S-EP04	C	GREY	X			X		2
DT06-3S-EP06	DT06-3S-EP06	B	BLACK	X			X		2
DT06-3S-EP11	DT06-3S-EP11	B	BLACK	X				X	3
DT06-3S-P004	DT06-3S-P004	B	GREY	X					1
DT06-3S-P012	DT06-3S-P012	A	BLACK	X					1
1-2448102-1	DT06-3S-TE09	A	BROWN		X				1
1-2448102-2	DT06-3S-TE03	A	GREEN		X				1
1-2448102-3	DT06-3S-TE07	A	BLUE		X				1
2-2448102-1	DT06-3S-TN09	A	BROWN	X					1
2-2448102-2	DT06-3S-TN03	A	GREEN	X					1
2-2448102-3	DT06-3S-TN07	A	BLUE	X					1

3 MATERIAL: HOUSING: PA66 GF15, SEE TABLE FOR COLOR  
SHORT, LONG CAP: PA66 GF15, BLACK  
GROMMET: E-SEAL VMO (BURNT RED)  
N-SEAL VMO (RED-ORANGE)  
FRONT SEAL: VMO (RED-ORANGE)

2. THIS PLUG MATES WITH DT04-3P-XXXX PLUG.  
(XXXX = ALL MODIFICATIONS)

1. SECONDARY WEDGE LOCK SOLD SEPARATELY: W3S-XXXX.  
(XXXX = ALL MODIFICATIONS)  
W3S OR W3S-P012 MAY BE USED WITH THESE PLUGS,  
W3S-P012 IS RECOMMENDED.

NOTES: UNLESS OTHERWISE SPECIFIED

7 XXXX IDENTIFIES THE MODIFICATION NUMBER, IF APPLICABLE.  
EXAMPLE: "E003" FOR DT06-3S-E003,  
OR BLANK FOR DT06-3S.

6. FOR CONTACTS AND WIRE PERFORMANCE AND APPLICATION  
CHARACTERISTICS SEE CUSTOMER DRAWING 0425-015-0000.

5 "E" IDENTIFIES E-SEAL.

4 DATE CODE: IDENTIFIES THE YEAR, MONTH, DAY AND HOUR OF ASSEMBLY.  
YEAR: FIRST AND SECOND DIGITS. (17 = 2017)  
MONTH: THIRD DIGIT, EXCLUDING 1. A = JAN, B = FEB,  
C = MARCH ... (K = OCTOBER)  
DAY: FOURTH AND FIFTH DIGITS (14 = 14th DAY)  
HOUR: SIXTH AND SEVENTH DIGITS (11 = 11AM)

8 ADDITIONAL MARKING PER NOTE 4 AND 7 EXCLUSIVELY  
FOR PARTS WITH CAPS PRODUCED IN CHINA.

THIS DRAWING IS A CONTROLLED DOCUMENT. DWG: J. J. MEYER 07NOV2016  
CHK: R. MESSENGER 07NOV2016  
APPV: D. MEYER 07NOV2016

DIMENSIONS: i.n. [mm]

TOLERANCES UNLESS OTHERWISE SPECIFIED:  
0 PLC #  
1 PLC #  
2 PLC #  
3 PLC #  
4 PLC #  
ANGLES #  
FINISH #

MATERIAL: 3

TE Connectivity

3 WAY PLUG, STANDARD SEAL  
EXTRA THIN SEAL, SHORT CAP AND  
LONG CAP, DT SERIES

SIZE: A1  
CAGE CODE: 114-151009  
DRAWING NO: 108-151009  
APPLICATION SPEC: 114-151009  
WEIGHT: -

CUSTOMER DRAWING

SCALE: 3:1 SHEET 1 OF 1 REV D