

REVISONS		DATE	OWN	APVD
B2	REVISED PER PCN E-19-004598	15MAR2019	DD	DM
C	REVISED PER PCN E-19-014633	24APR2019	NS	RM
C1	REVISED PER PCN-23-187402	19SEP2023	OD	IG
D	REVISED PER PCN-23-192205	06FEB2024	RK	CB

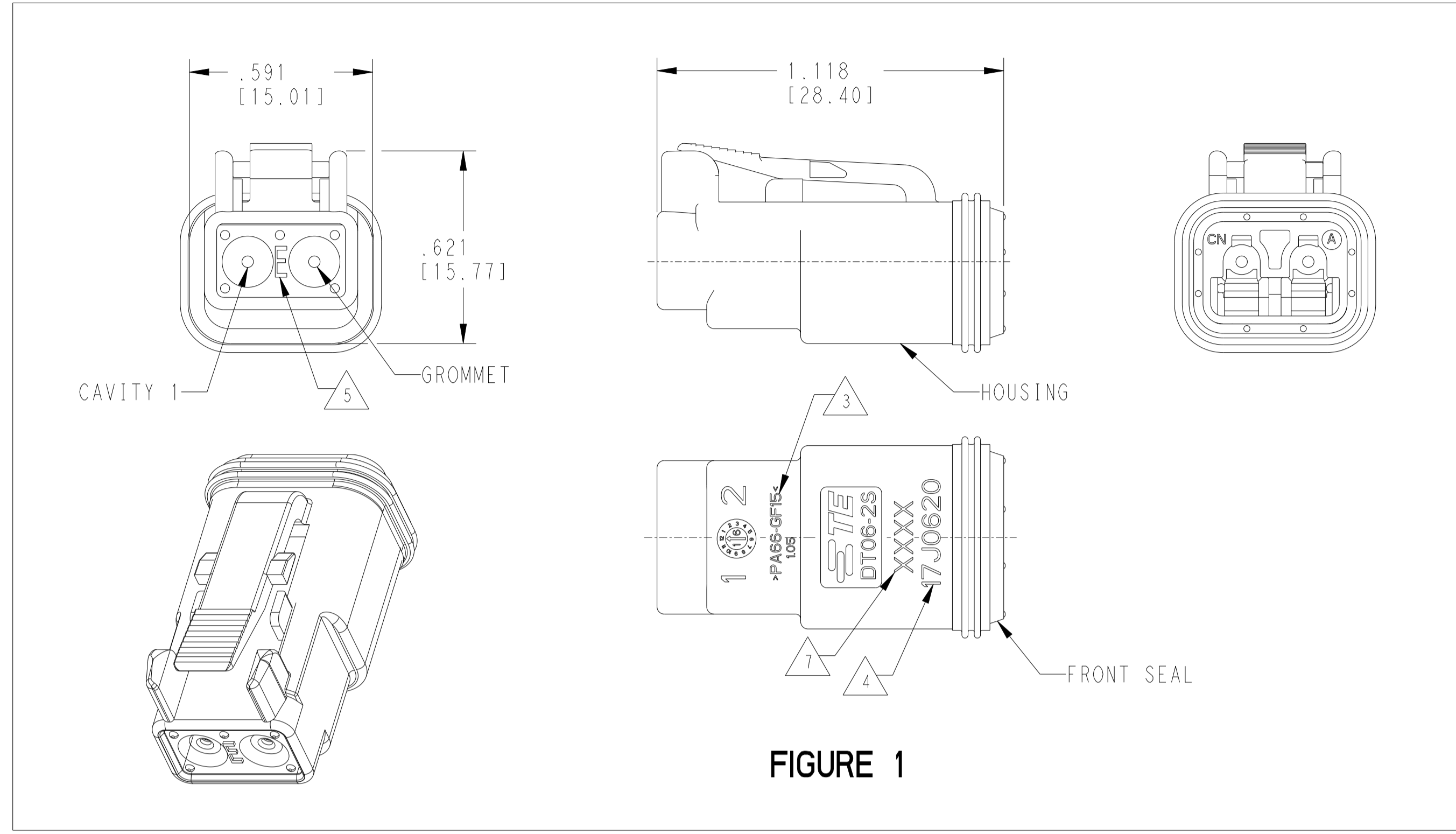


FIGURE 1

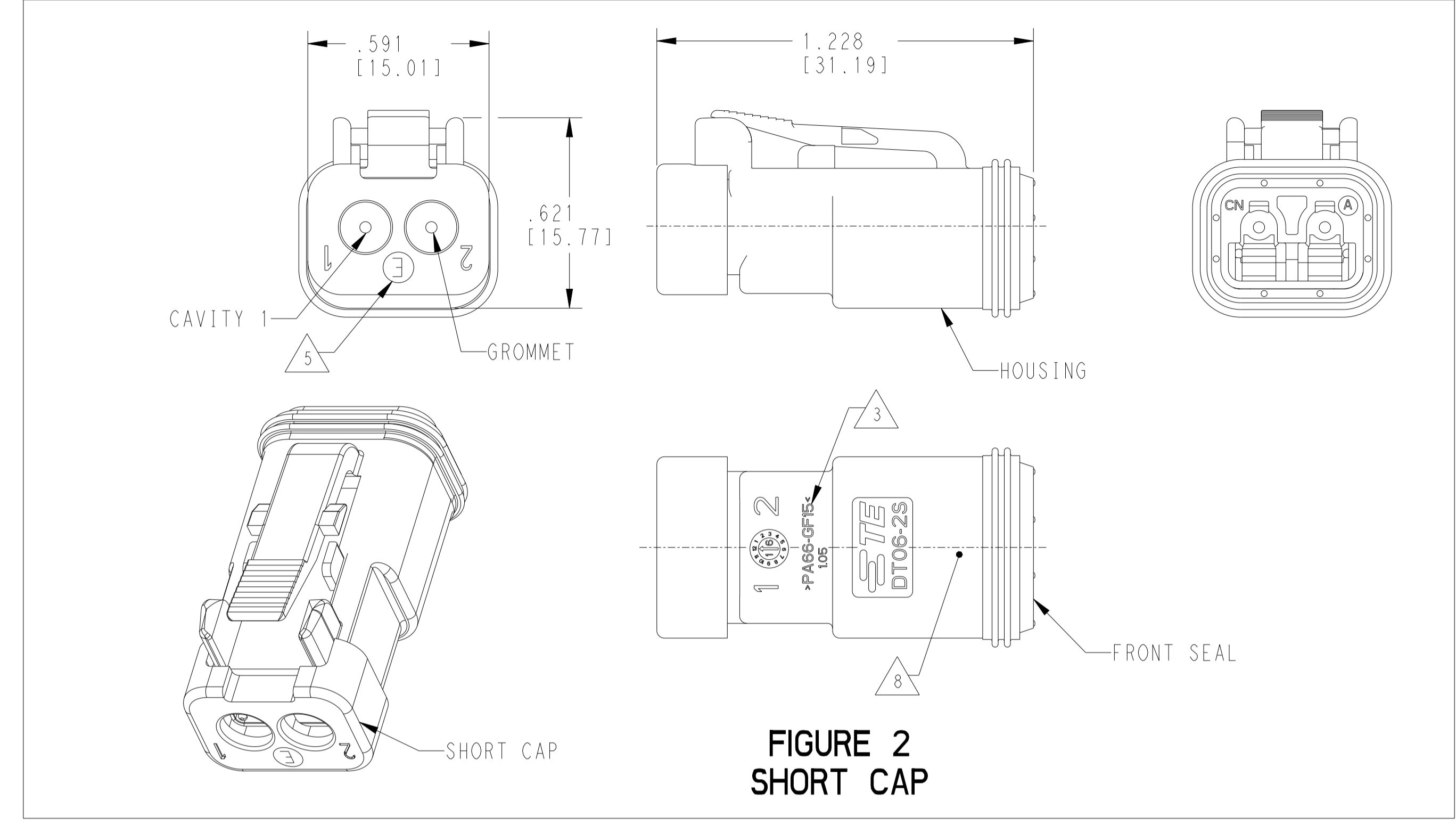


FIGURE 2  
SHORT CAP

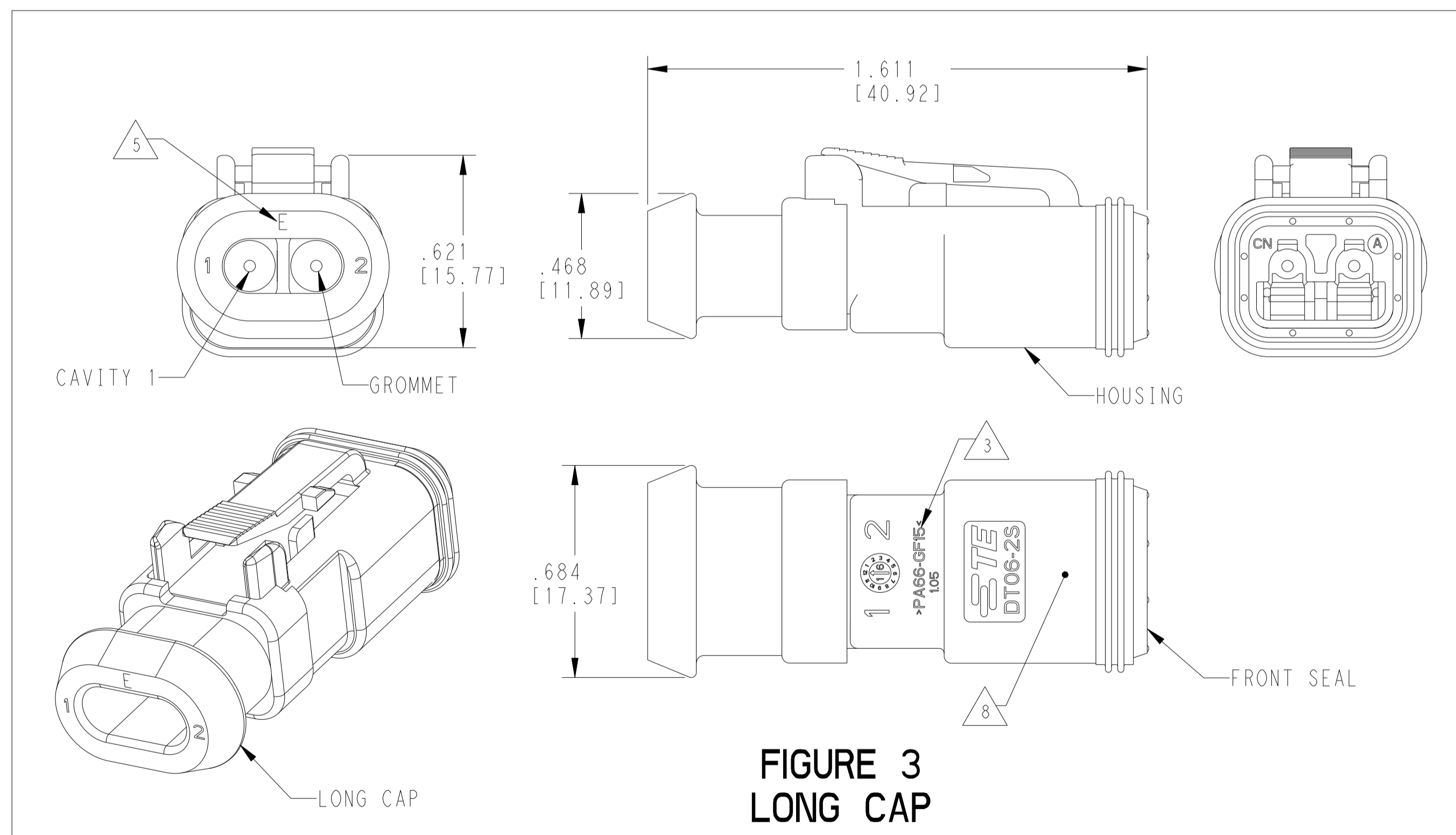


FIGURE 3  
LONG CAP

CONTACT SIZE	WIRE RANGE	INSULATION OD SEALING RANGE	SEAL IDENTIFICATION
16	14-20 AWG [2.5-0.5mm <sup>2</sup> ]	.088-.145 [2.23-3.68]	STANDARD SEAL
		.053-.120 [1.35-3.05]	EXTRA THIN SEAL E-SEAL

TE INTERNAL PART NUMBER	DEUTSCH PART NUMBER	PN REV	HOUSING COLOR	STANDARD SEAL GROMMET	EXTRA THIN SEAL E-SEAL GROMMET	BLOCKED SEAL	SHORT CAP	LONG CAP	FIGURE
DT06-2S	DT06-2S	A	GREY	X					1
DT06-2S-C015	DT06-2S-C015	F	GREY		X				1
DT06-2S-C017	DT06-2S-C017	B	GREY			X	X		2
DT06-2S-CE01	DT06-2S-CE01	E	GREY		X		X		2
DT06-2S-CE03	DT06-2S-CE03	B	BLACK		X		X		2
DT06-2S-CE04	DT06-2S-CE04	C	GREY		X			X	3
DT06-2S-CE05	DT06-2S-CE05	B	BLACK		X		X		2
DT06-2S-CE06	DT06-2S-CE06	B	BLACK		X				1
DT06-2S-CE13	DT06-2S-CE13	B	BLACK		X			X	3
DT06-2S-E003	DT06-2S-E003	B	GREY	X			X		2
DT06-2S-E004	DT06-2S-E004	A	BLACK	X					1
DT06-2S-E005	DT06-2S-E005	A	BLACK	X			X		2
DT06-2S-E008	DT06-2S-E008	B	GREY	X				X	3
DT06-2S-EP04	DT06-2S-EP04	C	GREY	X			X		2
DT06-2S-EP06	DT06-2S-EP06	B	BLACK	X			X		2
DT06-2S-EP11	DT06-2S-EP11	A	BLACK	X				X	3
DT06-2S-P004	DT06-2S-P004	A	GREY	X					1
DT06-2S-P012	DT06-2S-P012	A	BLACK	X					1
1-2448100-1	DT06-2S-TE09	A	BROWN		X				1
1-2448100-2	DT06-2S-TE03	A	GREEN		X				1
1-2448100-3	DT06-2S-TE07	A	BLUE		X				1
2-2448100-1	DT06-2S-TN09	A	BROWN	X					1
2-2448100-2	DT06-2S-TN03	A	GREEN	X					1
2-2448100-3	DT06-2S-TN07	A	BLUE	X					1

- 3 MATERIAL: HOUSING: PA66 GF15, SEE TABLE FOR COLOR SHORT, LONG CAP: PA66 GF15, BLACK GROMMET: E-SEAL VMQ (BURNT RED) N-SEAL VMQ (RED-ORANGE) FRONT SEAL: VMQ (RED-ORANGE),
- 2. THIS PLUG MATES WITH DT04-2P-XXXX RECEPTACLE. (XXXX = ALL MODIFICATIONS)
- 1. SECONDARY WEDGE LOCK SOLD SEPARATELY: W2SX-XXXX. (X = A,B,C,D KEY, XXXX = ALL MODIFICATIONS) W2S OR W2S-P012 MAY BE USED WITH THESE PLUGS, W2S-P012 IS RECOMMENDED.

- 7 XXXX IDENTIFIES THE MODIFICATION NUMBER, IF APPLICABLE. EXAMPLE: "E003" FOR DT06-2S-E003, OR BLANK FOR DT06-2S.
- 6. FOR CONTACTS AND WIRE PERFORMANCE AND APPLICATION CHARACTERISTICS SEE CUSTOMER DRAWING 0425-015-0000.
- 5 "E" IDENTIFIES E-SEAL.
- 4 DATE CODE: IDENTIFIES THE YEAR, MONTH, DAY AND HOUR OF ASSEMBLY. YEAR: FIRST AND SECOND DIGITS. (17 = 2017) MONTH: THIRD DIGIT, EXCLUDING I, A = JAN, B = FEB, C = MARCH ... (K = OCTOBER) DAY: FOURTH AND FIFTH DIGITS (14 = 14th DAY) HOUR: SIXTH AND SEVENTH DIGITS (11 = 11AM)

- 9 ALTERNATE CONSTRUCTION EXCLUSIVELY FOR PARTS PRODUCED IN CHINA.
- 8 ADDITIONAL MARKING PER NOTE 4 AND 7 EXCLUSIVELY FOR PARTS WITH CAPS PRODUCED IN CHINA.

THIS DRAWING IS A CONTROLLED DOCUMENT. DWG: J. JAIME C. APOSTOL 24OCT2016 CHK: D. MEYER 24OCT2016 APVD: D. MEYER 24OCT2016 NAME: 2 WAY PLUG, STANDARD SEAL EXTRA THIN SEAL SHORT CAP AND LONG CAP, DT SERIES

DIMENSIONS: in. [mm]	TOLERANCES UNLESS OTHERWISE SPECIFIED:	0 PLC #	1 PLC #	2 PLC #	3 PLC #	4 PLC #	ANGLES #	MATERIAL #	FINISH #
		±.025 (0.64)	±.015 (0.38)	±.010 (0.25)	±.008 (0.20)	±.005 (0.13)	±.002 (0.05)	114-151009	114-151009

SCALE: 3:1 SHEET 1 OF 1 REV D