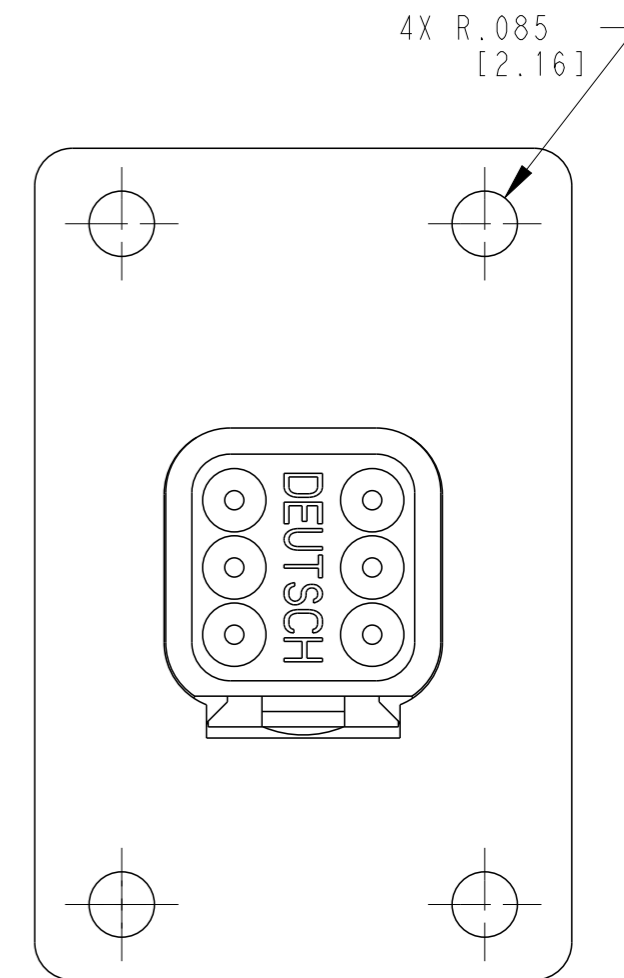
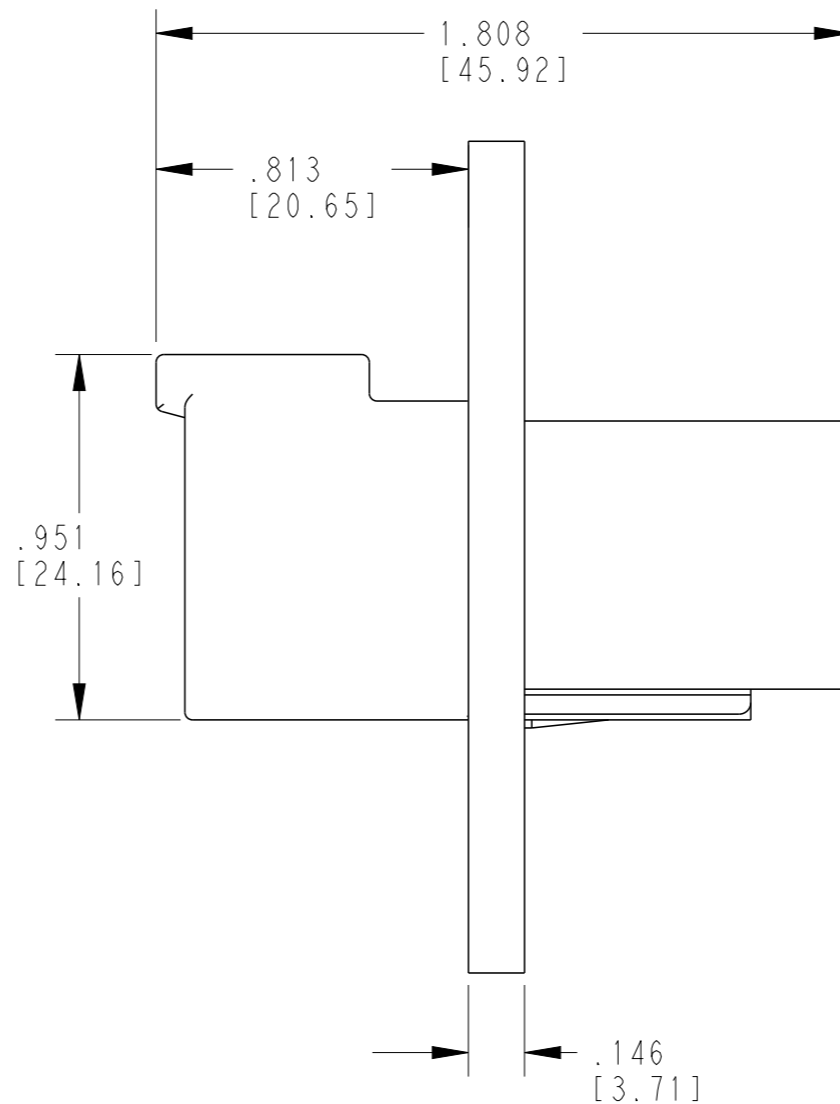
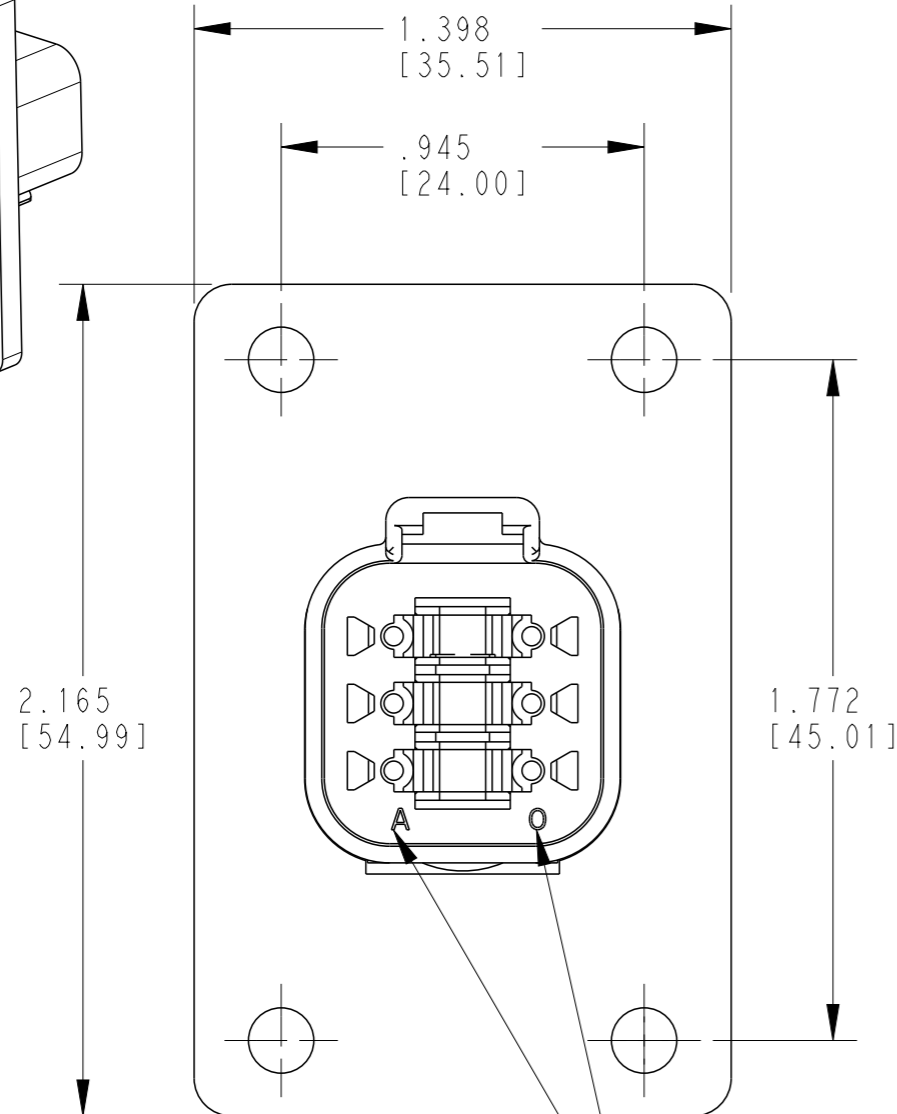
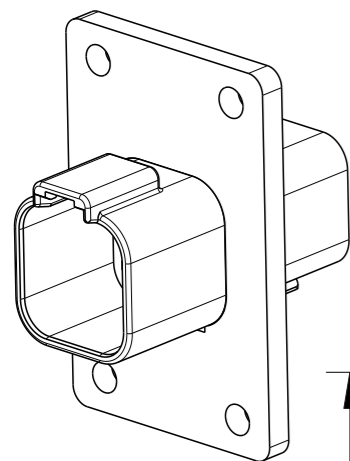


REVISIONS

P	LTR	DESCRIPTION	DATE	DWN	APVD
	A	INITIAL RELEASE	17JUL2015	MGM	DM



5 DATE CODE: MONTH IS REPRESENTED BY SEQUENTIAL ALPHA CHARACTERS EX: A = JANUARY; YEAR IS REPRESENTED BY LAST NUMERICAL DIGIT EX: 0=2010

4 MATERIAL: RECEPTACLE HOUSING & FLANGE: PA66 GF15 (BLACK)
GROMMET: SILICONE (ORANGE-RED)

3. THIS RECEPTACLE MATES WITH DT06-6S-XXXX PLUG (XXXX = ALL MODIFICATIONS)

2. SECONDARY WEDGE LOCK SOLD SEPARATELY: W6PX-XXXX. (X = A,B,2 KEYS) XXXX = ALL MODIFICATIONS

1 DIMENSION TOLERANCE: ±.025 [0.64], EXCEPT FOR PANEL CUTOUT: ±.010 [0.25]. SEE SHEET 2.

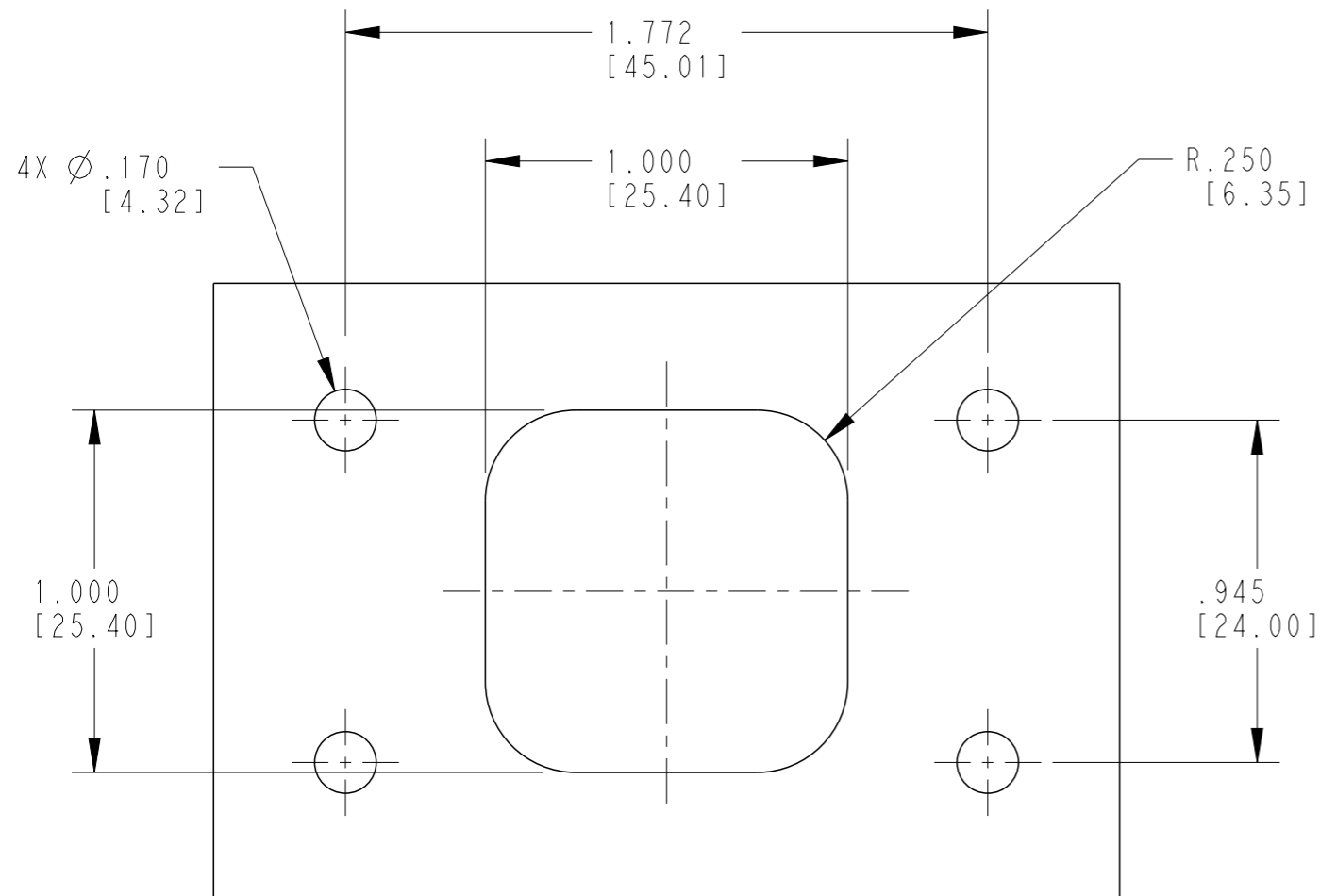
NOTES:

TCPN		ALIAS PART NUMBER	
DT04-6P-LE14		DT04-6P-LE14	
CONTACT SIZE	MIN. INSUL. O.D	MAX INSUL. O.D	WIRE RANGE [mm ²]
16	.088 [2.24]	.145 [3.68]	14-20 AWG [2.0-0.5]

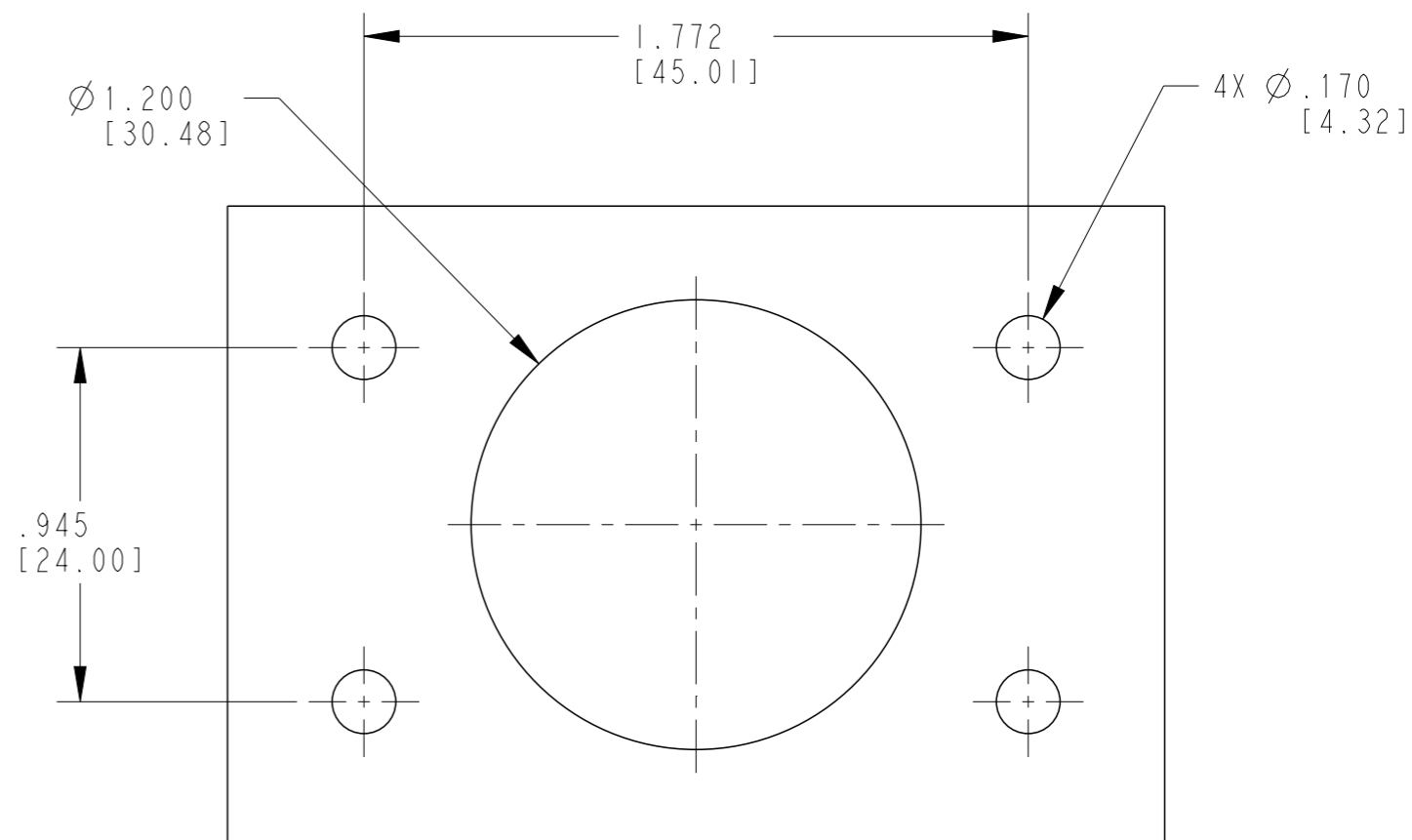
THIS DRAWING IS A CONTROLLED DOCUMENT.		DWN 21AUG2015 MANJUNATH GM	TE TE Connectivity																			
DIMENSIONS: INCHES [mm]		CHK 21AUG2015 D.MEYER																				
TOLERANCES UNLESS OTHERWISE SPECIFIED:		APVD 21AUG2015 D.MEYER	NAME RECEPTACLE, 6PIN -LE14 MOD DT SERIES																			
<table border="0"> <tr><td>0 PLC</td><td>±</td><td rowspan="4">1</td></tr> <tr><td>1 PLC</td><td>±</td></tr> <tr><td>2 PLC</td><td>±</td></tr> <tr><td>3 PLC</td><td>±</td></tr> <tr><td>4 PLC</td><td>±</td><td></td></tr> <tr><td>ANGLES</td><td>±</td><td></td></tr> <tr><td>FINISH</td><td>-</td><td></td></tr> </table>		0 PLC	±	1	1 PLC	±	2 PLC	±	3 PLC	±	4 PLC	±		ANGLES	±		FINISH	-		PRODUCT SPEC 108-151009	SIZE A3	
0 PLC	±	1																				
1 PLC	±																					
2 PLC	±																					
3 PLC	±																					
4 PLC	±																					
ANGLES	±																					
FINISH	-																					
MATERIAL 4		APPLICATION SPEC 0425-017-0000	CAGE CODE 4AFU8	DRAWING NO ©DT04-6P-LE14																		
		WEIGHT -	RESTRICTED TO -																			
		CUSTOMER DRAWING	SCALE 2:1	SHEET 1 OF 2 REV A																		

REVISIONS

P	LTR	DESCRIPTION	DATE	DWN	APVD
-	-	SEE SHEET 1	-	-	-

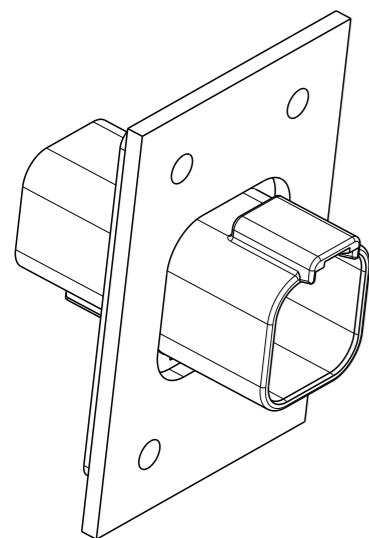


RECOMMENDED CUTOUT FRONT AND REAR MOUNT

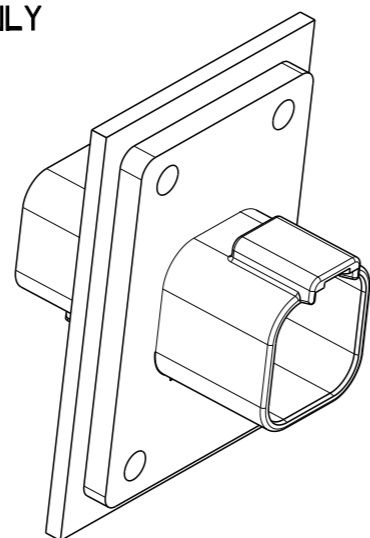


OPTIONAL CUTOUT FRONT AND REAR MOUNT

FOR REFERENCE ONLY



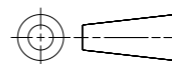
FRONT MOUNT



REAR MOUNT

THIS DRAWING IS A CONTROLLED DOCUMENT.

DIMENSIONS:
INCHES [mm]



TOLERANCES UNLESS OTHERWISE SPECIFIED:	
0 PLC	±
1 PLC	±
2 PLC	±
3 PLC	±
4 PLC	±
ANGLES	±
FINISH	-

DWN	21AUG2015
MANJUNATH GM	
CHK	21AUG2015
D.MEYER	
APVD	21AUG2015
D.MEYER	
PRODUCT SPEC	108-151009
APPLICATION SPEC	0425-017-0000
WEIGHT	-

TE Connectivity		NAME		RESTRICTED TO
		RECEPTACLE, 6PIN -LE14 MOD DT SERIES		
SIZE	CAGE CODE	DRAWING NO	-	
A3	4AFU8	DT04-6P-LE14	-	
CUSTOMER DRAWING		SCALE	SHEET	REV
		2:1	2 OF 2	A