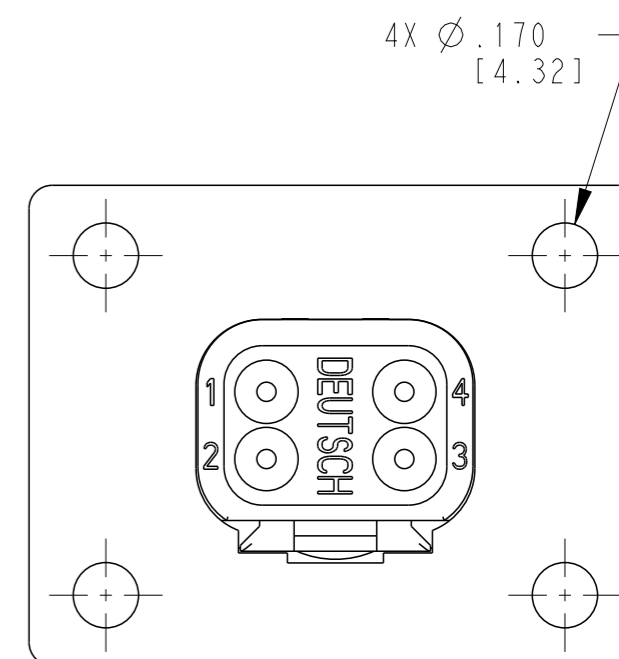
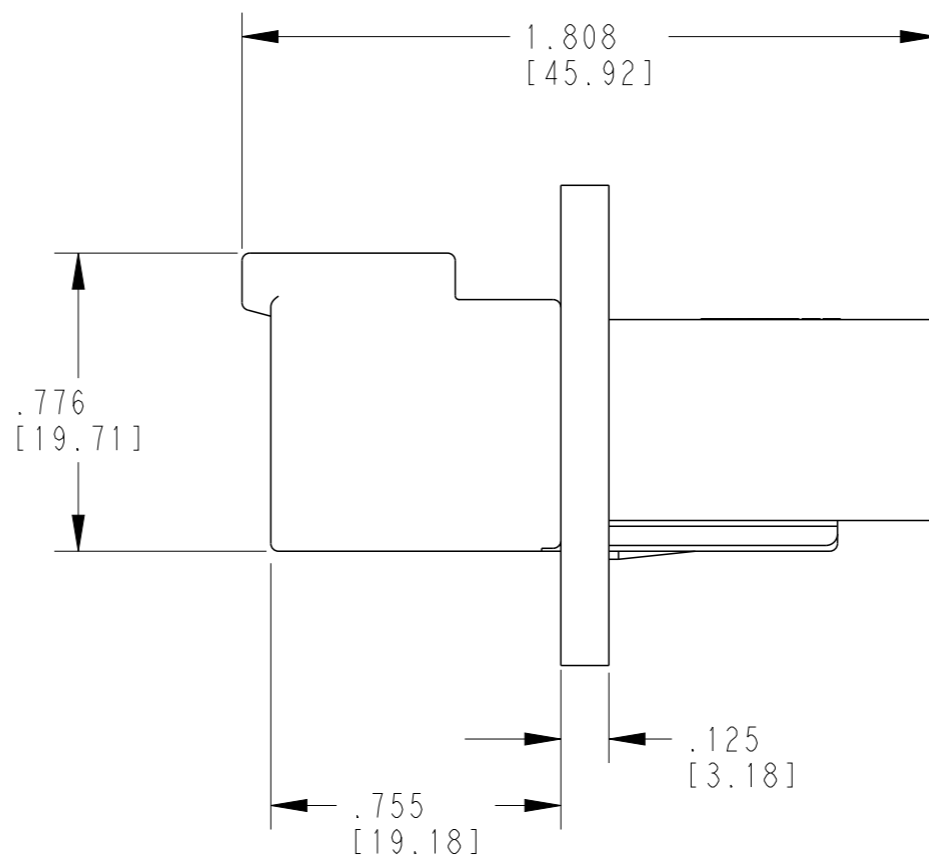
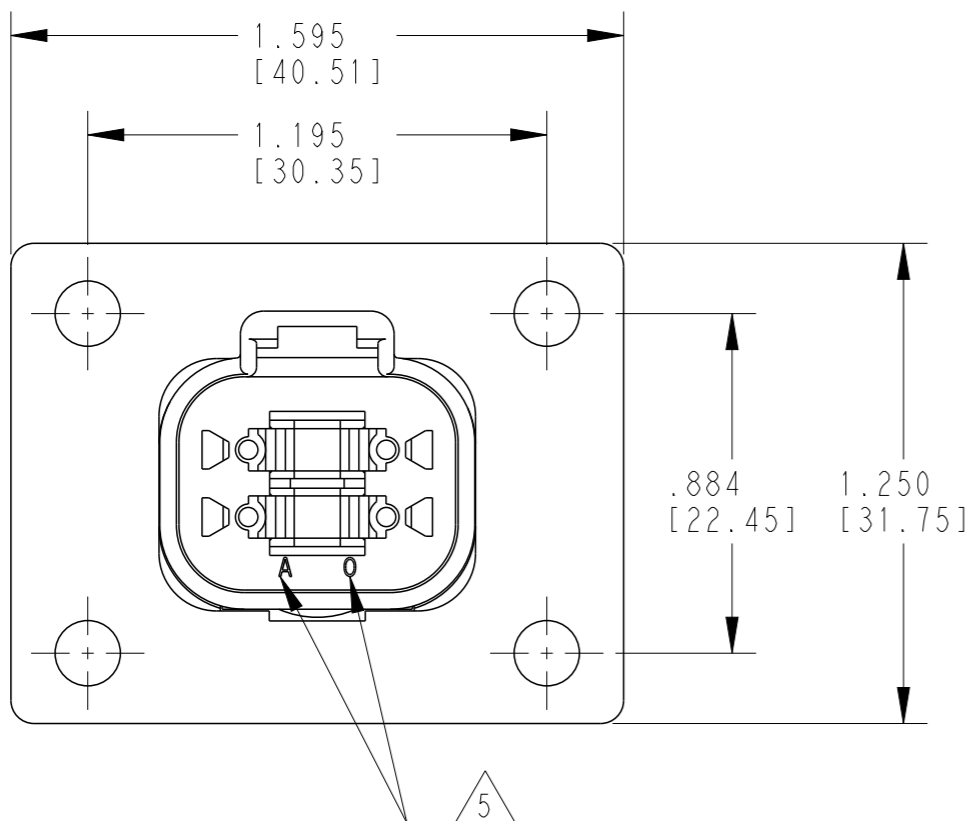
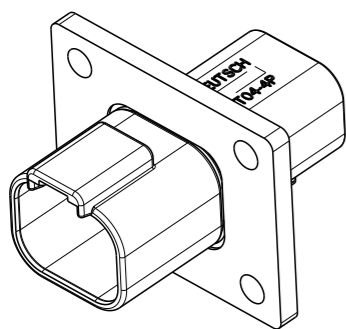


REVISIONS

P	LTR	DESCRIPTION	DATE	DWN	APVD
	A	INITIAL RELEASE	17JUL2015	MGM	DM



5 DATE CODE: MONTH IS REPRESENTED BY SEQUENTIAL ALPHA CHARACTERS EX: A = JANUARY; YEAR IS REPRESENTED BY LAST NUMERICAL DIGIT EX: 0=2010

4 MATERIAL: RECEPTACLE HOUSING & FLANGE: PA66 GF15 (BLACK)  
GROMMET: SILICONE (ORANGE-RED)

3. THIS RECEPTACLE MATES WITH DT06-4S-XXXX PLUG (XXXX = ALL MODIFICATIONS)

2. SECONDARY WEDGE LOCK SOLD SEPARATELY: W4PX-XXXX. (X = A,B,C,D KEYS) XXXX = ALL MODIFICATIONS

1 DIMENSION TOLERANCE: ±.025 [.64], EXCEPT FOR PANEL CUTOUT: ±.010 [.25]. SEE SHEET 2.

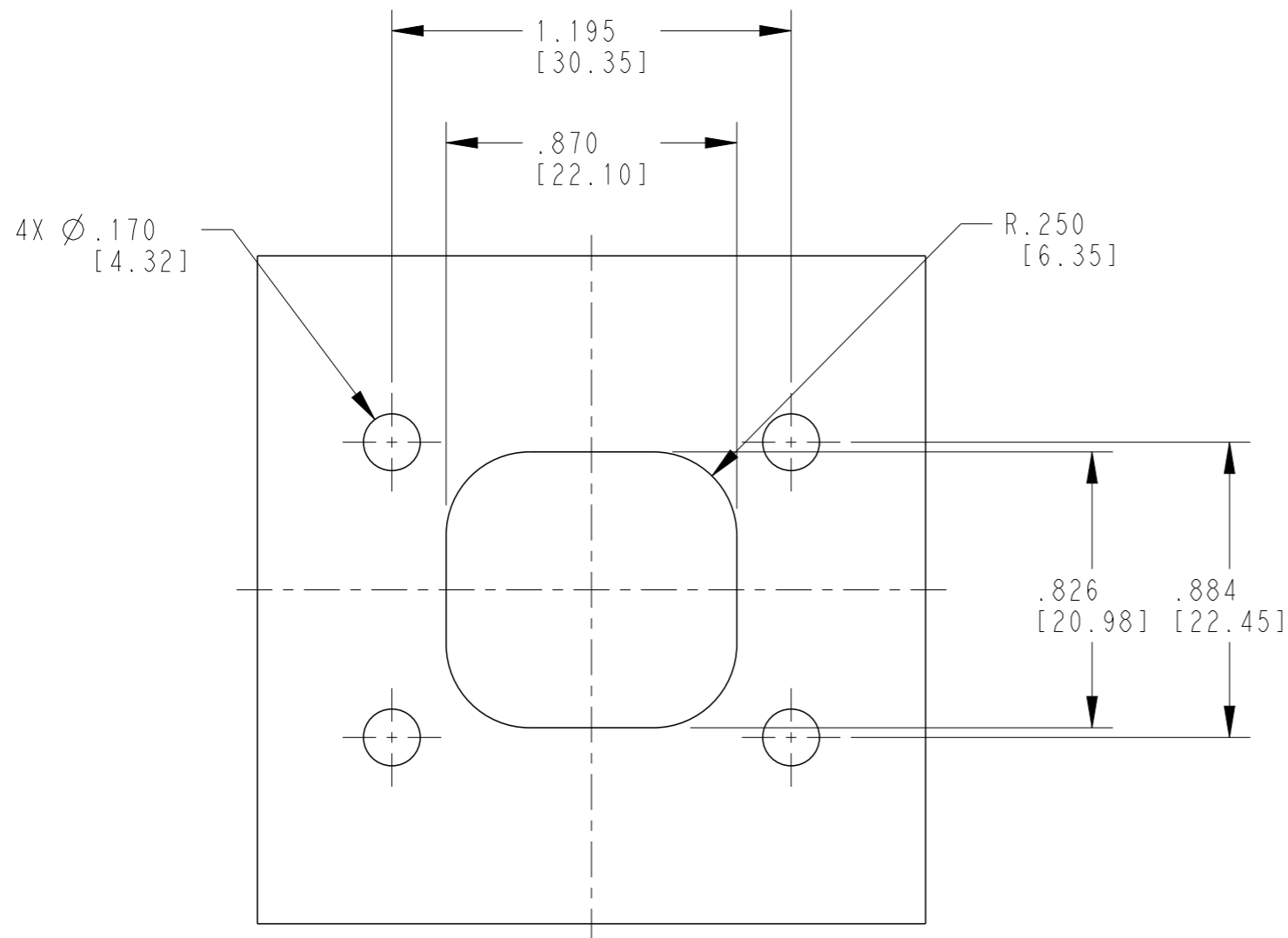
NOTES:

TCPN	ALIAS PART NUMBER		
DT04-4P-LE14	DT04-4P-LE14		
CONTACT SIZE	MIN. INSUL. O.D	MAX INSUL. O.D	WIRE RANGE [mm <sup>2</sup> ]
16	.088 [2.24]	.145 [3.68]	14-20 AWG [2.0-0.5]

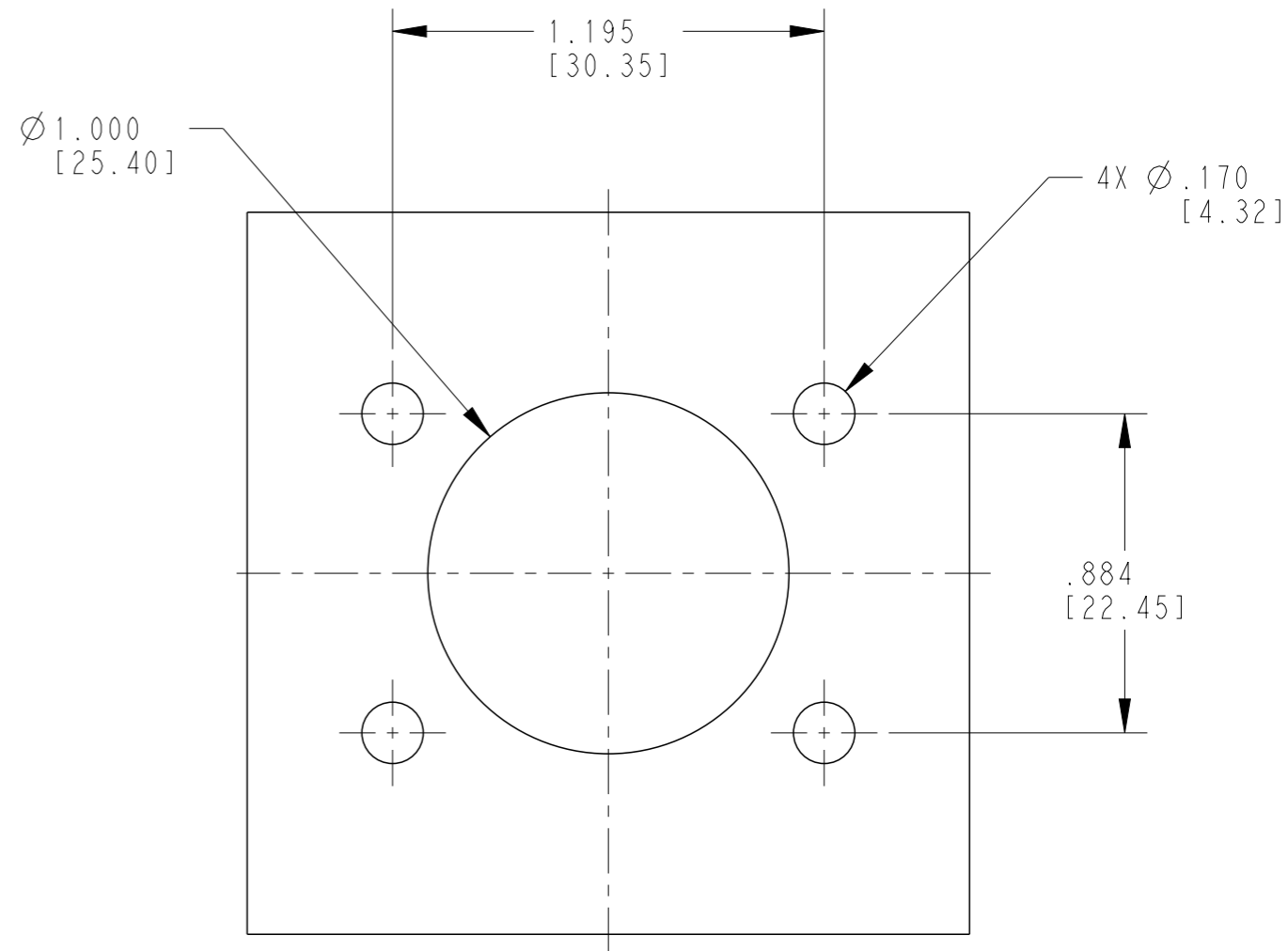
THIS DRAWING IS A CONTROLLED DOCUMENT.		DWN 17JUL2015 MANJUNATH GM	<b>TE</b> TE Connectivity	
DIMENSIONS: INCHES [mm]		CHK 17JUL2015 D.MEYER		
TOLERANCES UNLESS OTHERWISE SPECIFIED:		APVD 17JUL2015 D.MEYER	NAME RECEPTACLE, 4PIN -LE14 MOD DT SERIES	
0 PLC ± 1 PLC ± 2 PLC ± 3 PLC ± 4 PLC ± ANGLES ±		PRODUCT SPEC 108-151009	SIZE A3	CAGE CODE 4AFU8
MATERIAL 4		FINISH -	DRAWING NO DT04-4P-LE14	RESTRICTED TO -
		WEIGHT 12 g	SCALE 2:1	SHEET 1 OF 2
		CUSTOMER DRAWING	REV A	

REVISIONS

P	LTR	DESCRIPTION	DATE	DWN	APVD
-	-	SEE SHEET 1	-	-	-

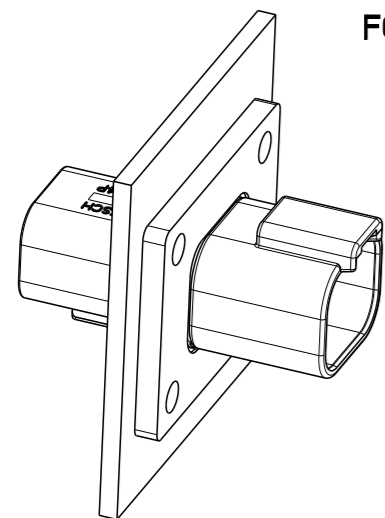


### RECOMMENDED CUTOUT FRONT AND REAR MOUNT

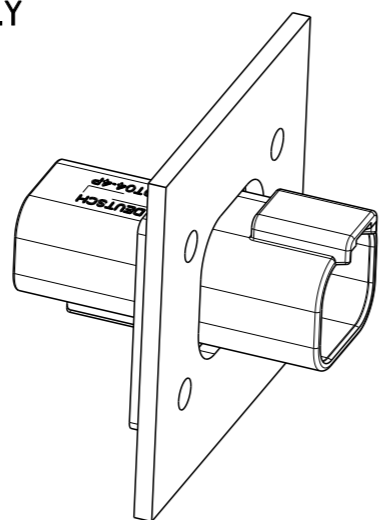


### OPTIONAL CUTOUT FRONT AND REAR MOUNT

FOR REFERENCE ONLY



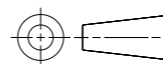
FRONT MOUNT



REAR MOUNT

THIS DRAWING IS A CONTROLLED DOCUMENT.

DIMENSIONS:  
INCHES [mm]



TOLERANCES UNLESS OTHERWISE SPECIFIED:

- 0 PLC ±
- 1 PLC ±
- 2 PLC ±
- 3 PLC ±
- 4 PLC ±
- ANGLES ±
- FINISH -

MATERIAL

DWN 17JUL2015

MANJUNATH GM

CHK 17JUL2015

D.MEYER

APVD 17JUL2015

D.MEYER

PRODUCT SPEC

108-151009

APPLICATION SPEC

0425-017-0000

WEIGHT

12 g

CUSTOMER DRAWING

NAME  
RECEPTACLE, 4PIN -LE14 MOD  
DT SERIES



TE Connectivity

SIZE	CAGE CODE	DRAWING NO	RESTRICTED TO
------	-----------	------------	---------------

A3	4AFU8	DT04-4P-LE14	-
----	-------	--------------	---

SCALE	SHEET	OF	REV
2:1	2	2	A