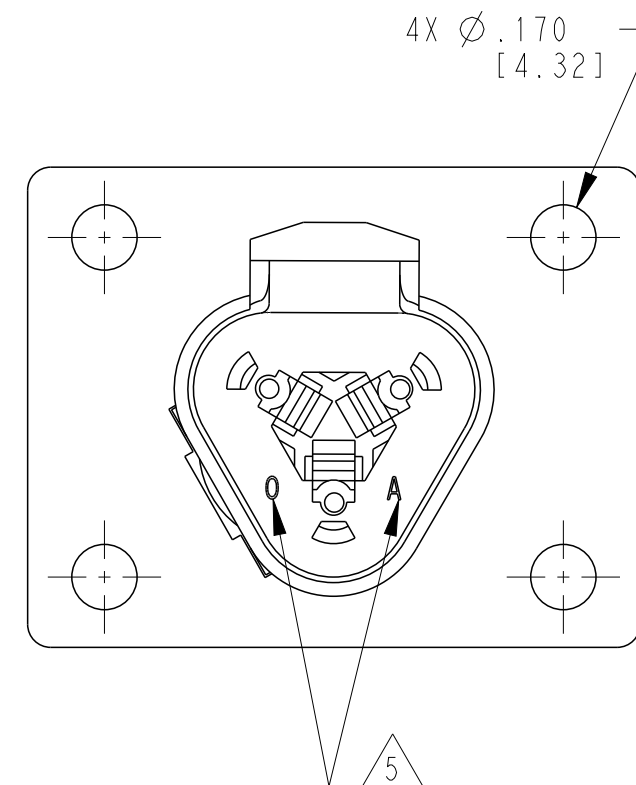
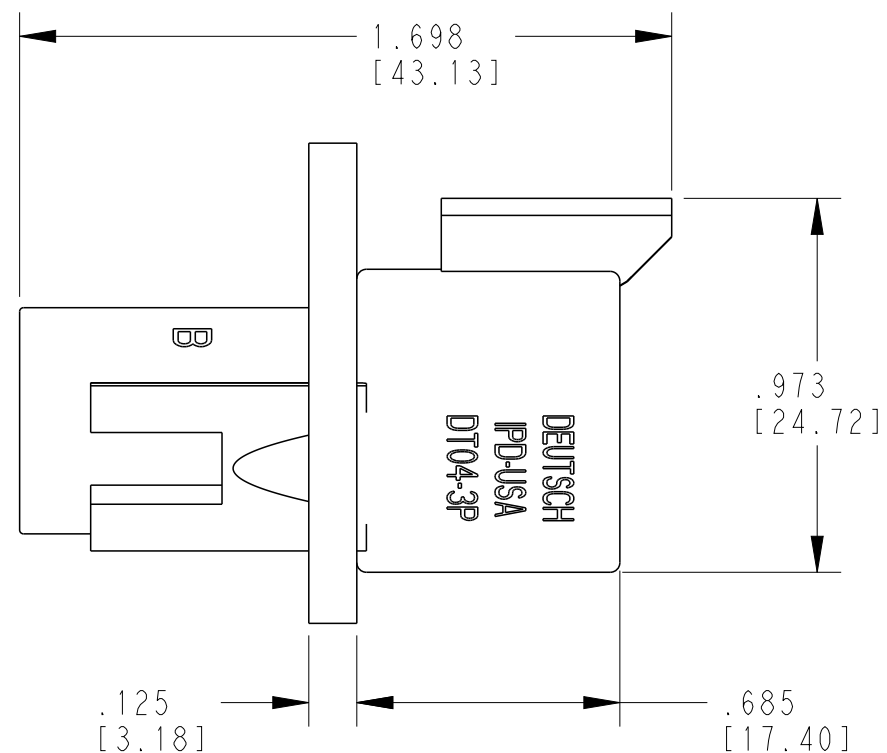
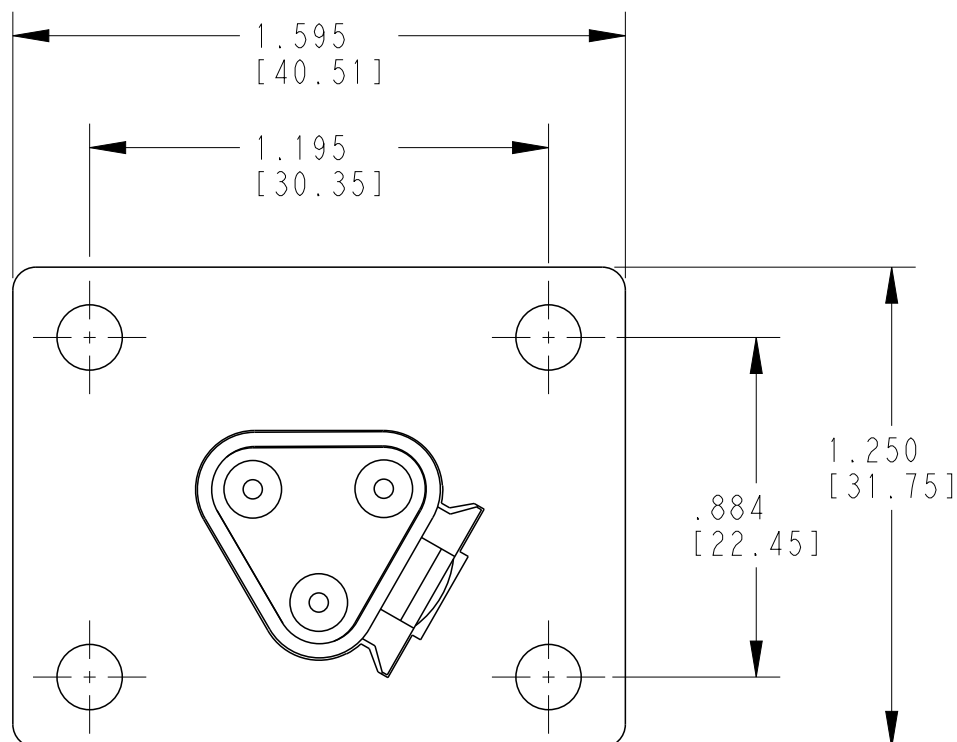
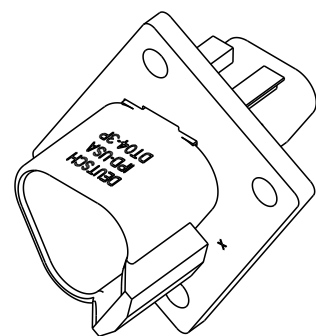


REVISIONS

P	LTR	DESCRIPTION	DATE	DWN	APVD
	A	INITIAL RELEASE	23APR2015	MGM	DM



5 DATE CODE: MONTH IS REPRESENTED BY SEQUENTIAL ALPHA CHARACTERS EX: A =JANUARY; YEAR IS REPRESENTED BY LAST NUMERICAL DIGIT EX: 0=2010

4 MATERIAL: RECEPTACLE HOUSING & FLANGE: PA66 GF15 (BLACK)
GROMMET: SILICONE (ORANGE-RED)

3. THIS RECEPTACLE MATES WITH DT06-3S-XXXX PLUG (XXXX = ALL MODIFICATIONS)

2. SECONDARY WEDGE LOCK SOLD SEPARATELY: W3P-XXXX. (XXXX = ALL MODIFICATIONS)

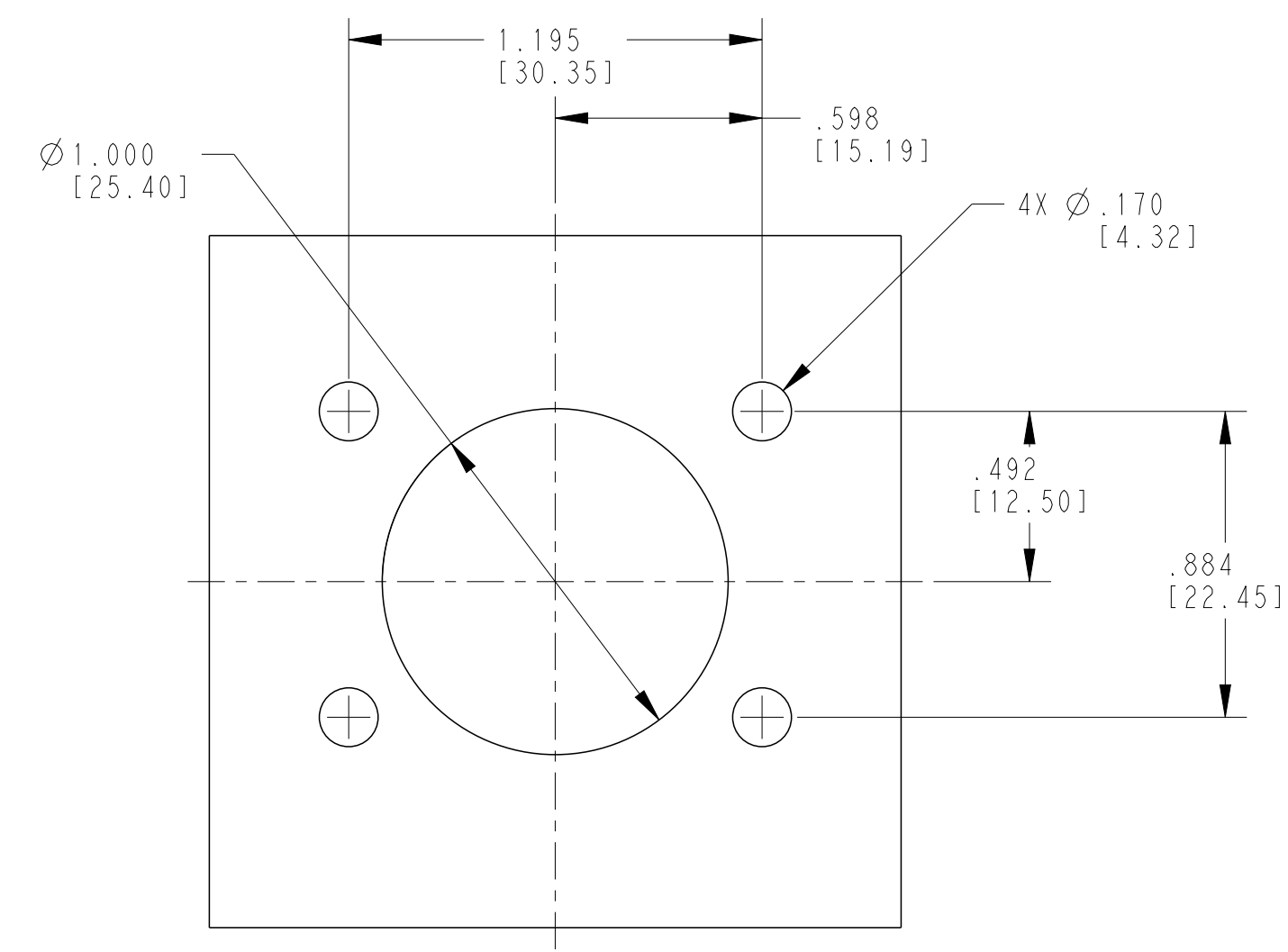
1 DIMENSION TOLERANCE: ±.025 [.64], EXCEPT FOR PANEL CUTOUT: ±.010 [.25]. SEE SHEET 2.

NOTES:

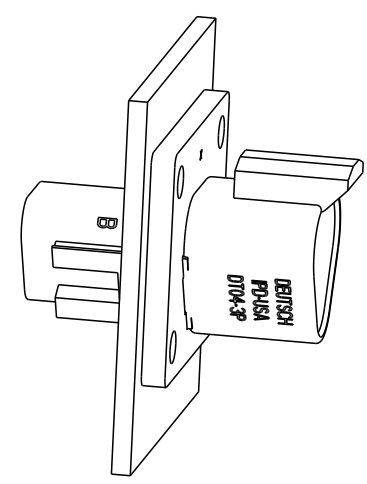
TCPN		ALIAS PART NUMBER	
DT04-3P-LE14		DT04-3P-LE14	
CONTACT SIZE	MIN. INSUL. O.D	MAX INSUL. O.D	WIRE RANGE [mm ²]
16	.088 [2.24]	.145 [3.68]	14-20 AWG [2.0-0.5]

THIS DRAWING IS A CONTROLLED DOCUMENT.		DWN 23APR2015 MANJUNATH GM																
DIMENSIONS: INCHES [mm]		CHK 23APR2015 D.MEYER																
TOLERANCES UNLESS OTHERWISE SPECIFIED:		APVD 23APR2015 D.MEYER	NAME RECEPTACLE, 3PIN -LE14 MOD DT SERIES															
<table border="0"> <tr> <td>0 PLC</td><td>±</td><td rowspan="4">1</td></tr> <tr> <td>1 PLC</td><td>±</td></tr> <tr> <td>2 PLC</td><td>±</td></tr> <tr> <td>3 PLC</td><td>±</td></tr> <tr> <td>4 PLC</td><td>±</td></tr> <tr> <td>ANGLES</td><td>±</td><td></td></tr> </table>		0 PLC	±	1	1 PLC	±	2 PLC	±	3 PLC	±	4 PLC	±	ANGLES	±		PRODUCT SPEC 108-151009	SIZE A3	
0 PLC	±	1																
1 PLC	±																	
2 PLC	±																	
3 PLC	±																	
4 PLC	±																	
ANGLES	±																	
MATERIAL		APPLICATION SPEC 0425-017-0000	CAGE CODE 4AFU8	DRAWING NO DT04-3P-LE14														
FINISH		WEIGHT 11.5 GR	RESTRICTED TO -															
4		CUSTOMER DRAWING		SCALE 2:1 SHEET 1 OF 2 REV A														

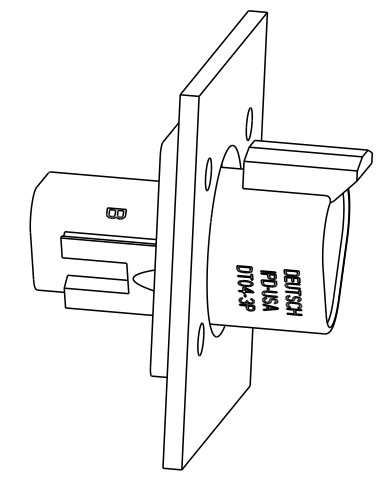
REVISIONS					
P	LTR	DESCRIPTION	DATE	DWN	APVD
-	-	SEE SHEET 1	-	-	-



FOR REFERENCE ONLY



FRONT MOUNT



REAR MOUNT

RECOMMENDED CUTOUT FRONT AND REAR MOUNT

THIS DRAWING IS A CONTROLLED DOCUMENT.		DWN MANJUNATH GM 23APR2015			
DIMENSIONS: INCHES [mm]		CHK D.MEYER 23APR2015			
TOLERANCES UNLESS OTHERWISE SPECIFIED:		APVD D.MEYER 23APR2015	NAME RECEPTACLE, 3PIN -LE14 MOD DT SERIES		
<ul style="list-style-type: none"> 0 PLC ± 1 PLC ± 2 PLC ± 3 PLC ± 4 PLC ± ANGLES ± 		PRODUCT SPEC 108-151009	RESTRICTED TO		
MATERIAL		APPLICATION SPEC 0425-017-0000	SIZE A3	CAGE CODE 4AFU8	DRAWING NO DT04-3P-LE14
FINISH -		WEIGHT 11.5 GR	SCALE 2:1	SHEET 2 OF 2	REV A
CUSTOMER DRAWING					